

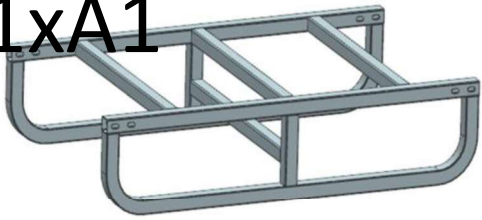


500L ULTIMATE

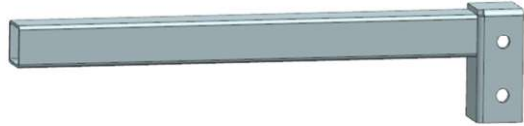
Assembly Instructions

500L

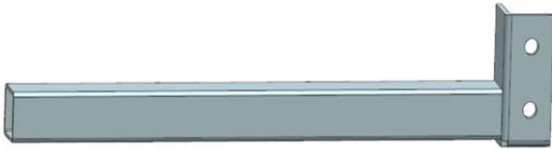
1xA1



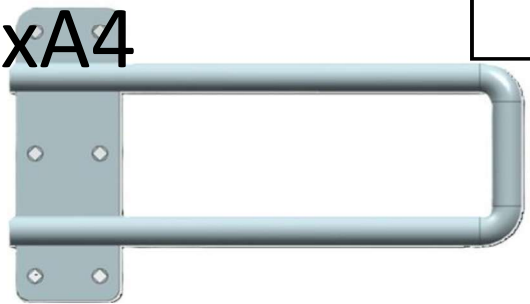
2xA2



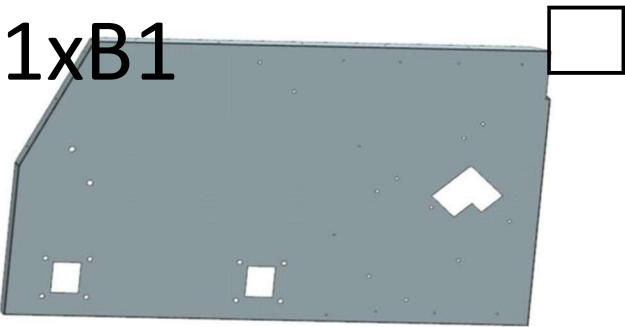
2xA3



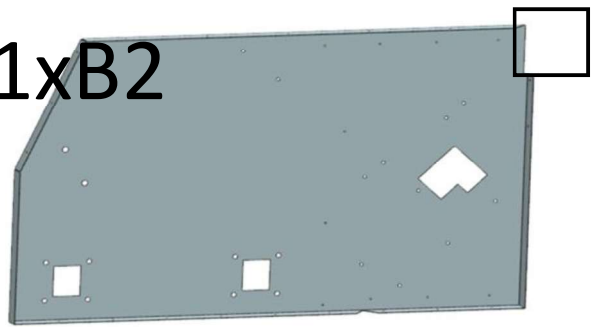
4xA4



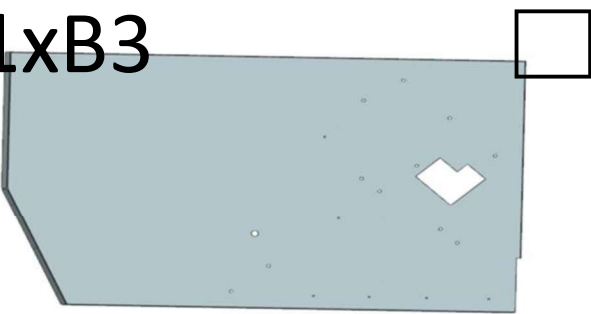
1xB1



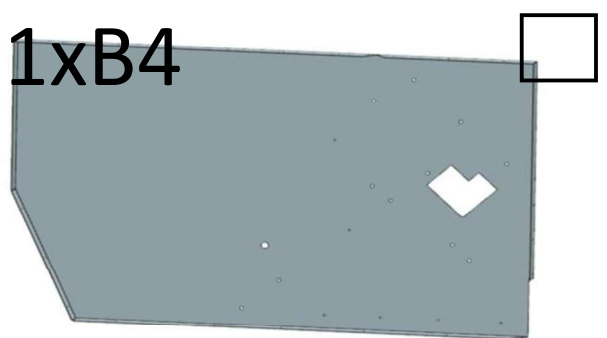
1xB2



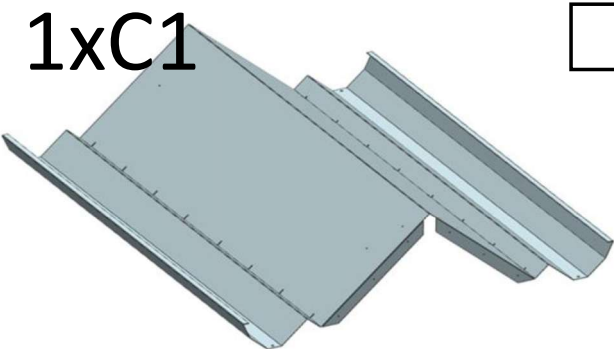
1xB3



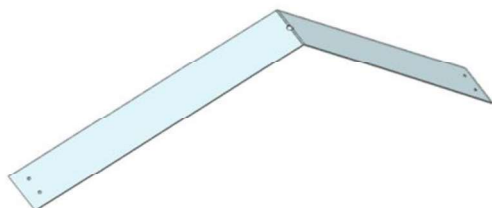
1xB4



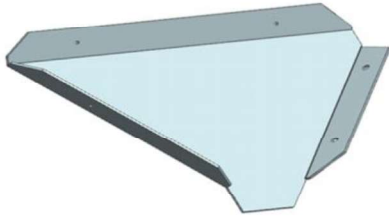
1xC1



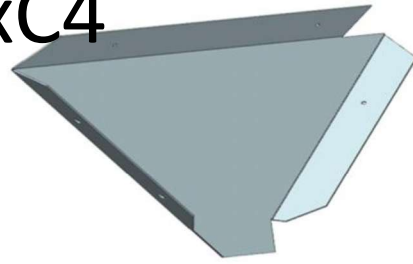
2xC2



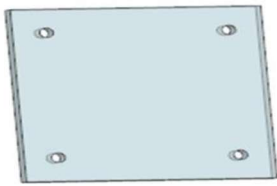
2xC3



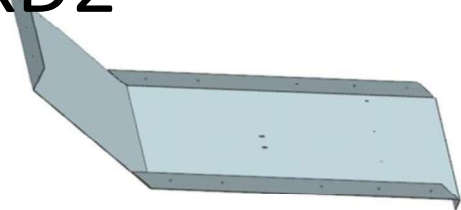
2xC4



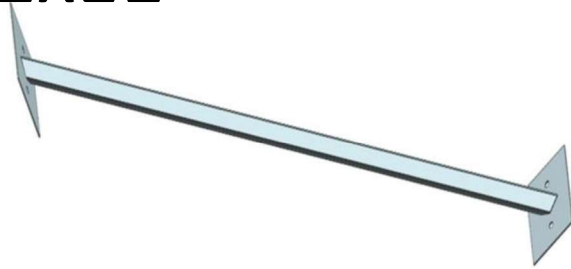
4xD1



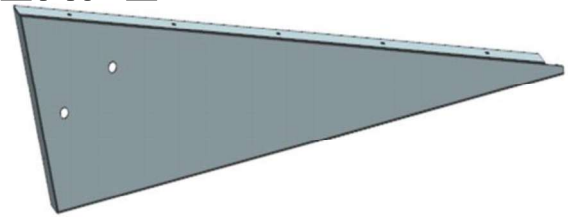
2xD2



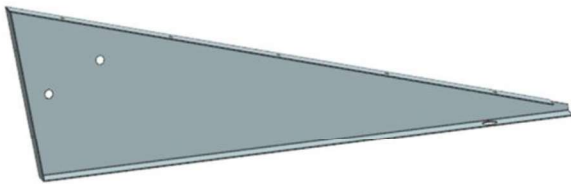
1xE1



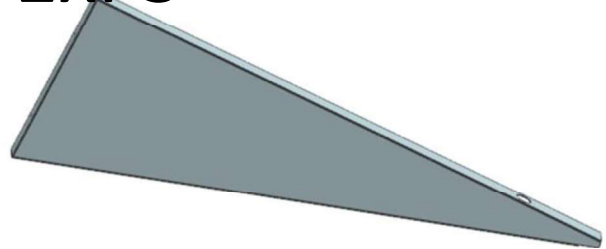
1xF1



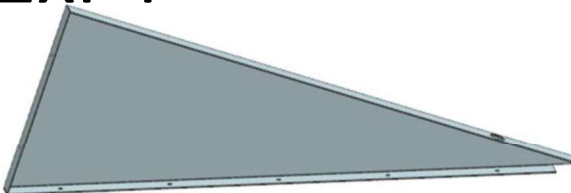
1xF2



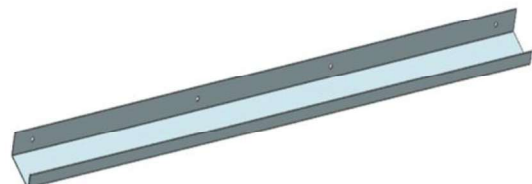
1xF3



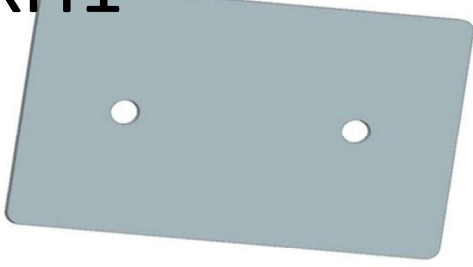
1xF4



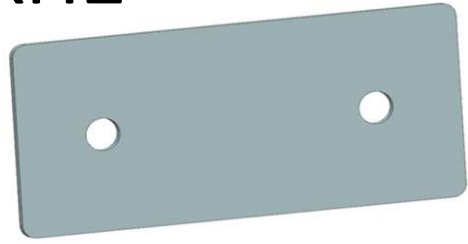
2xG1



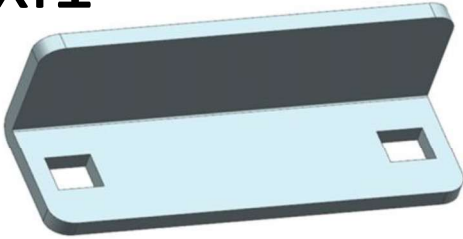
4xH1



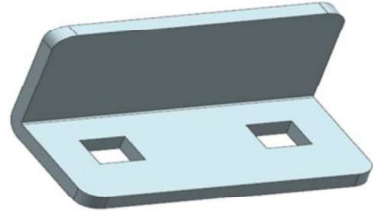
2xH2



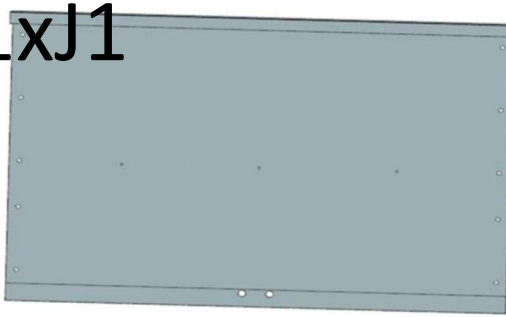
4xi1



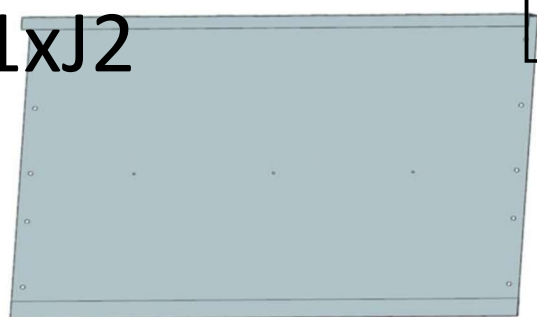
1xi2



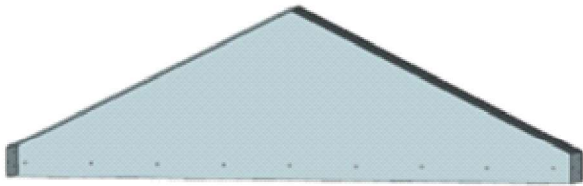
1xJ1



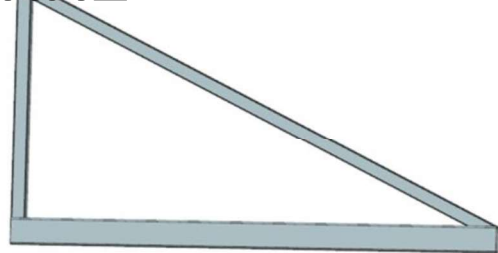
1xJ2



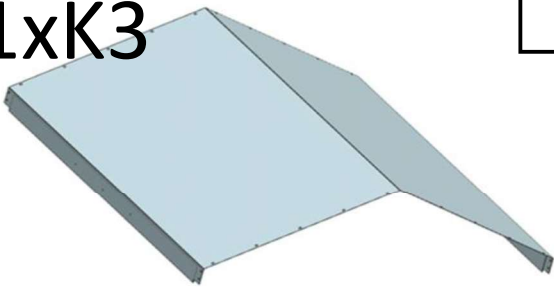
2xK1



2xK2



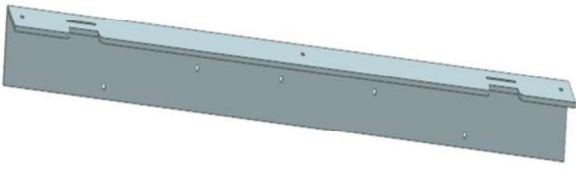
1xK3



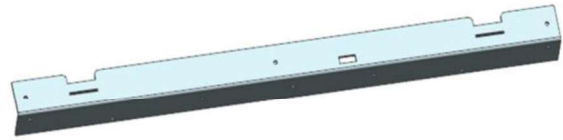
1xL1



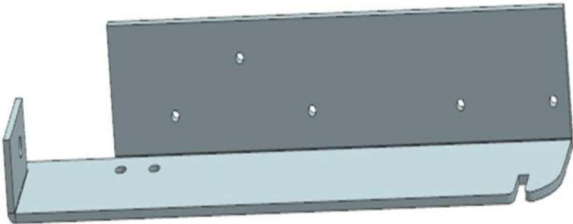
1xM1



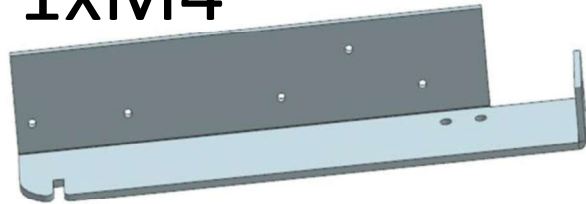
1xM2



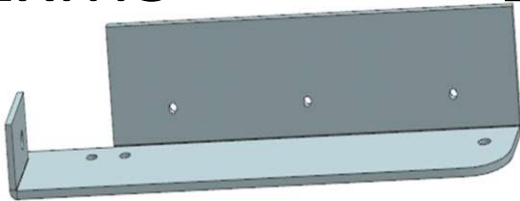
1xM3



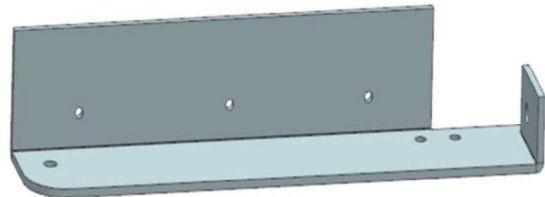
1xM4



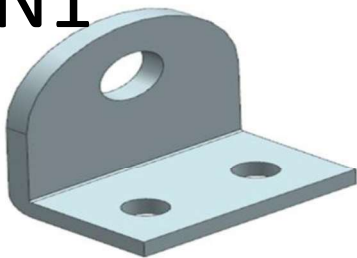
2xM5



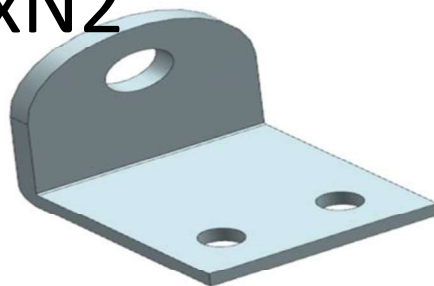
2xM6



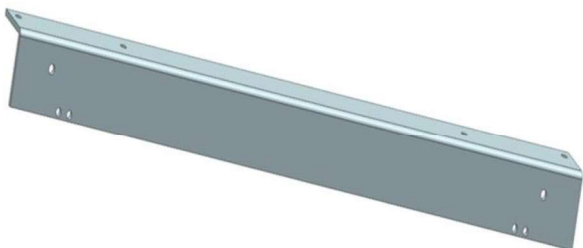
16xN1



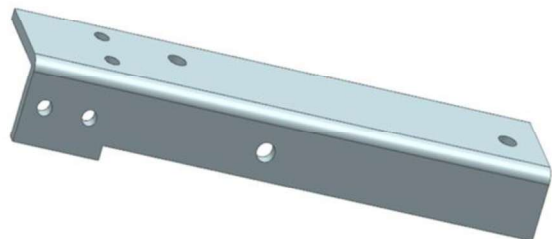
16xN2

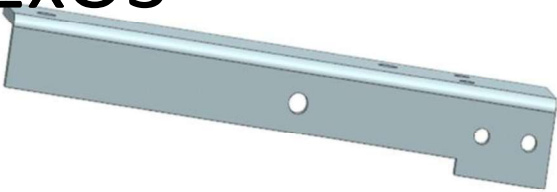
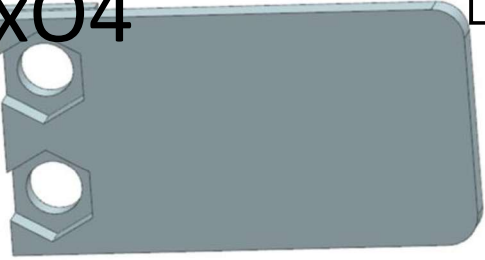




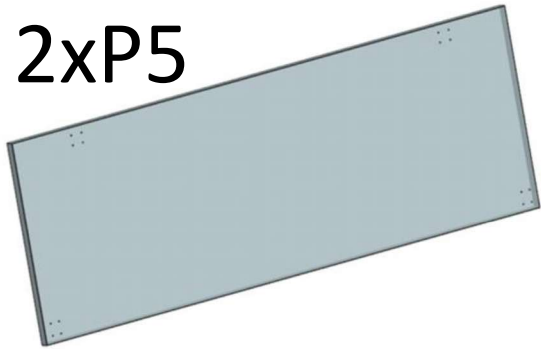
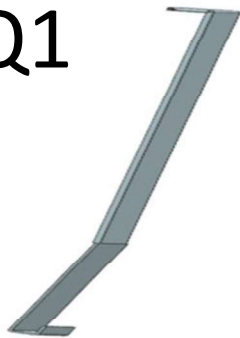





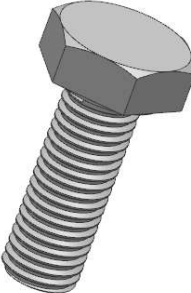

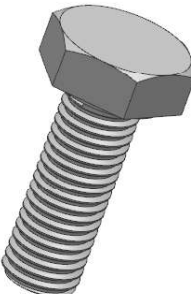
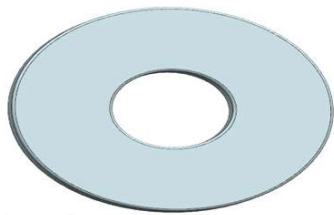
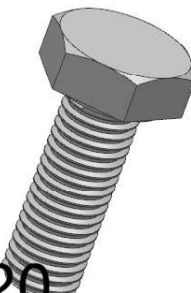

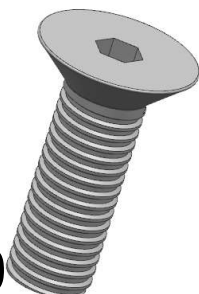

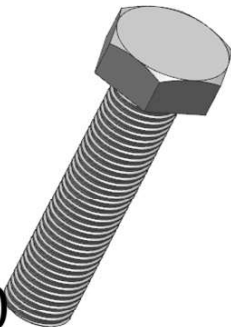
2xO1

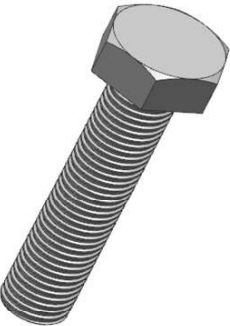
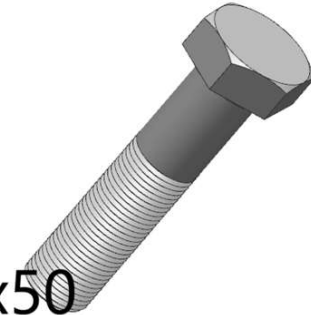
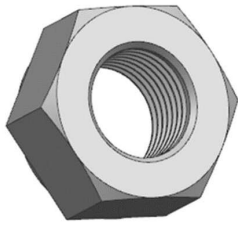
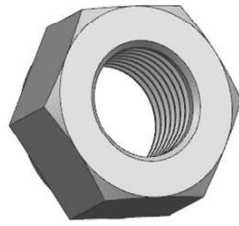
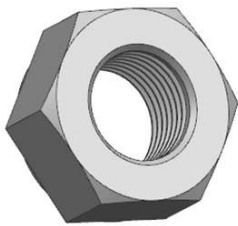
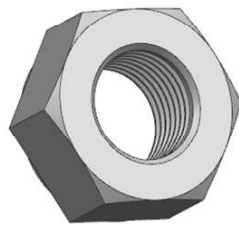
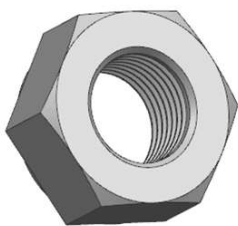
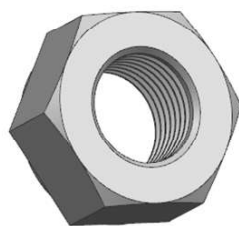
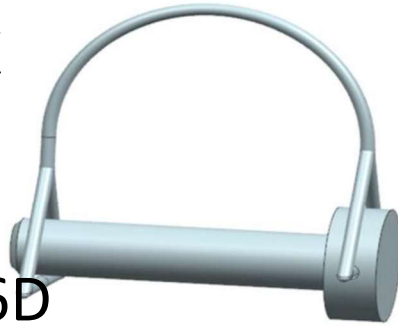
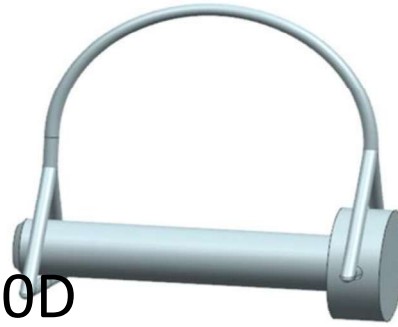


2xO2

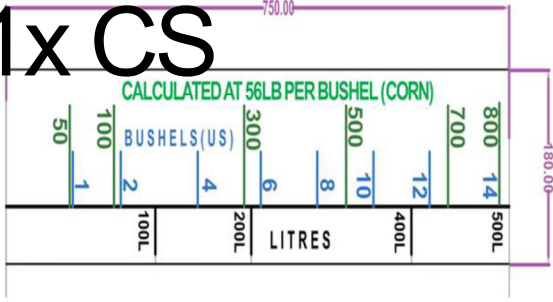


<p>2xO3 <input type="checkbox"/></p> 	<p>4xO4 <input type="checkbox"/></p> 
<p>4xP1 <input type="checkbox"/></p> 	<p>4xP2 <input type="checkbox"/></p> 
<p>4xP3 <input type="checkbox"/></p> 	<p>4xP4 <input type="checkbox"/></p> 
<p>2xP5 <input type="checkbox"/></p> 	<p>1xQ1 <input type="checkbox"/></p> 
<p>2xR1 <input type="checkbox"/></p> 	<p>4xR2 <input type="checkbox"/></p> 

<p>8x</p>  <p>M12x60</p> <input data-bbox="710 152 790 224" type="checkbox"/>	<p>16x</p>  <p>M14x45</p> <input data-bbox="1364 152 1444 224" type="checkbox"/>
<p>290x</p>  <p>M5.5x20</p> <input data-bbox="694 515 774 593" type="checkbox"/>	<p>6x</p>  <p>M8x20</p> <input data-bbox="1356 515 1436 593" type="checkbox"/>
<p>14x</p>  <p>12x32x2</p> <input data-bbox="702 884 782 952" type="checkbox"/>	<p>4x</p>  <p>SS M8x20</p> <input data-bbox="1364 884 1444 952" type="checkbox"/>
<p>24x</p>  <p>M6x16</p> <input data-bbox="710 1232 790 1310" type="checkbox"/>	<p>4x</p>  <p>M10x30</p> <input data-bbox="1364 1232 1444 1310" type="checkbox"/>
<p>10x</p>  <p>M10x25</p> <input data-bbox="710 1601 790 1680" type="checkbox"/>	<p>8x</p>  <p>M10x30</p> <input data-bbox="1356 1601 1436 1680" type="checkbox"/>

<p>36x <input type="checkbox"/></p>  <p>M8x35</p>	<p>2x <input type="checkbox"/></p>  <p>M12x50</p>
<p>16x</p>  <p>M6</p>	<p>16x <input type="checkbox"/></p>  <p>M14</p>
<p>42x <input type="checkbox"/></p>  <p>M8</p>	<p>4x <input type="checkbox"/></p>  <p>SS M8</p>
<p>22x <input type="checkbox"/></p>  <p>M10</p>	<p>10x <input type="checkbox"/></p>  <p>M12</p>
<p>4x</p>  <p>M6D</p>	<p>4x</p>  <p>M10D</p>

1x CS



1x CT

ESTIMATED OUNCES OF FEED AVAILABLE DAILY FOR SHEEP AND GOATS

HEIGHT INCREMENT	HEIGHT INCREMENT			
	2	3	4	5
9	2	3	4	5
11	3	4	5	6
13	4	5	6	7
15	5	6	7	8
17	6	7	8	9
19	7	8	9	10
21	8	9	10	11
23	9	10	11	12
25	10	11	12	13
27	11	12	13	14
29	12	13	14	15
31	13	14	15	16
33	14	15	16	17
35	15	16	17	18
37	16	17	18	19
39	17	18	19	20
41	18	19	20	21
43	19	20	21	22
45	20	21	22	23
47	21	22	23	24
49	22	23	24	25
51	23	24	25	26
53	24	25	26	27
55	25	26	27	28
57	26	27	28	29
59	27	28	29	30
61	28	29	30	31
63	29	30	31	32
65	30	31	32	33
67	31	32	33	34
69	32	33	34	35
71	33	34	35	36
73	34	35	36	37
75	35	36	37	38
77	36	37	38	39
79	37	38	39	40
81	38	39	40	41
83	39	40	41	42
85	40	41	42	43
87	41	42	43	44
89	42	43	44	45
91	43	44	45	46
93	44	45	46	47
95	45	46	47	48
97	46	47	48	49
99	47	48	49	50

ESTIMATED POUNDS OF FEED AVAILABLE DAILY FOR CATTLE

HEIGHT INCREMENT	HEIGHT INCREMENT			
	2	3	4	5
9	2	3	4	5
11	3	4	5	6
13	4	5	6	7
15	5	6	7	8
17	6	7	8	9
19	7	8	9	10
21	8	9	10	11
23	9	10	11	12
25	10	11	12	13
27	11	12	13	14
29	12	13	14	15
31	13	14	15	16
33	14	15	16	17
35	15	16	17	18
37	16	17	18	19
39	17	18	19	20
41	18	19	20	21
43	19	20	21	22
45	20	21	22	23
47	21	22	23	24
49	22	23	24	25
51	23	24	25	26
53	24	25	26	27
55	25	26	27	28
57	26	27	28	29
59	27	28	29	30
61	28	29	30	31
63	29	30	31	32
65	30	31	32	33
67	31	32	33	34
69	32	33	34	35
71	33	34	35	36
73	34	35	36	37
75	35	36	37	38
77	36	37	38	39
79	37	38	39	40
81	38	39	40	41
83	39	40	41	42
85	40	41	42	43
87	41	42	43	44
89	42	43	44	45
91	43	44	45	46
93	44	45	46	47
95	45	46	47	48
97	46	47	48	49
99	47	48	49	50

FEEDER CAPACITY:

70,945.95 = 3,327.73

To calculate an accurate pound capacity of the feed in the feeder:

- For 2500 models: $\text{Pounds} = \text{Height} \times \text{Width} \times \text{Depth} \times 0.000027$
- For 2500L models: $\text{Pounds} = \text{Height} \times \text{Width} \times \text{Depth} \times 0.000027$
- For 2500L models: $\text{Pounds} = \text{Height} \times \text{Width} \times \text{Depth} \times 0.000027$
- For 2500L models: $\text{Pounds} = \text{Height} \times \text{Width} \times \text{Depth} \times 0.000027$

DISCLAIMER: The information is a guide only. Various factors change the feeding rates therefore no responsibility is accepted by the supplier or seller.

4x



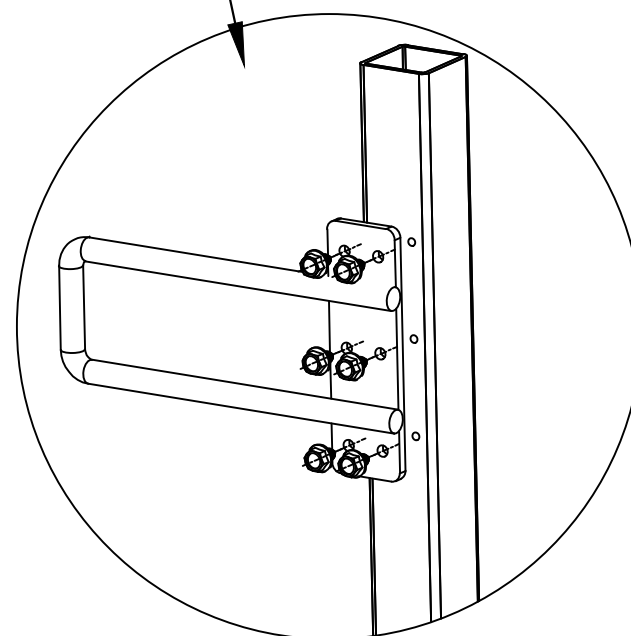
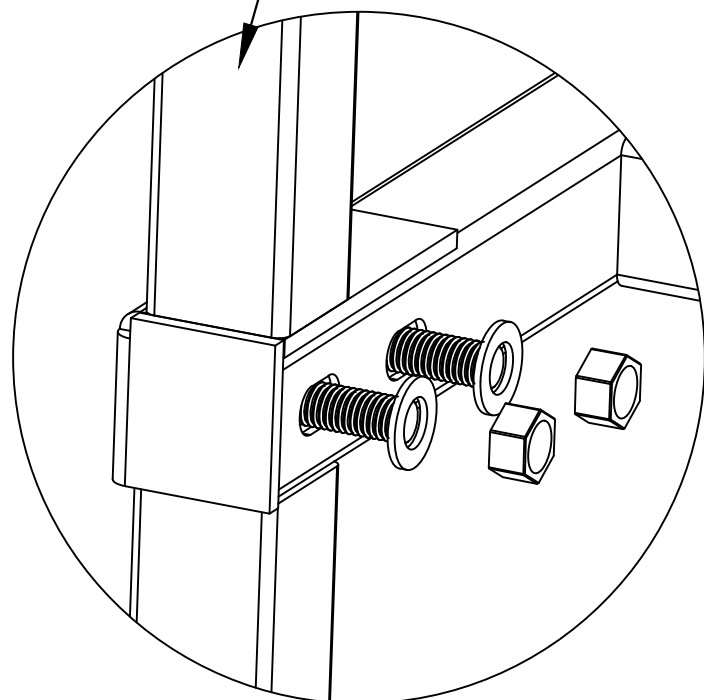
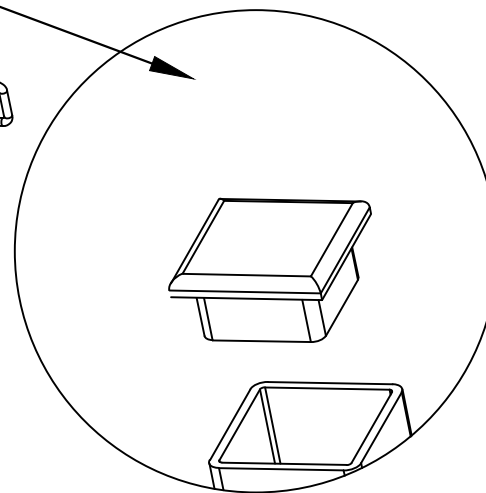
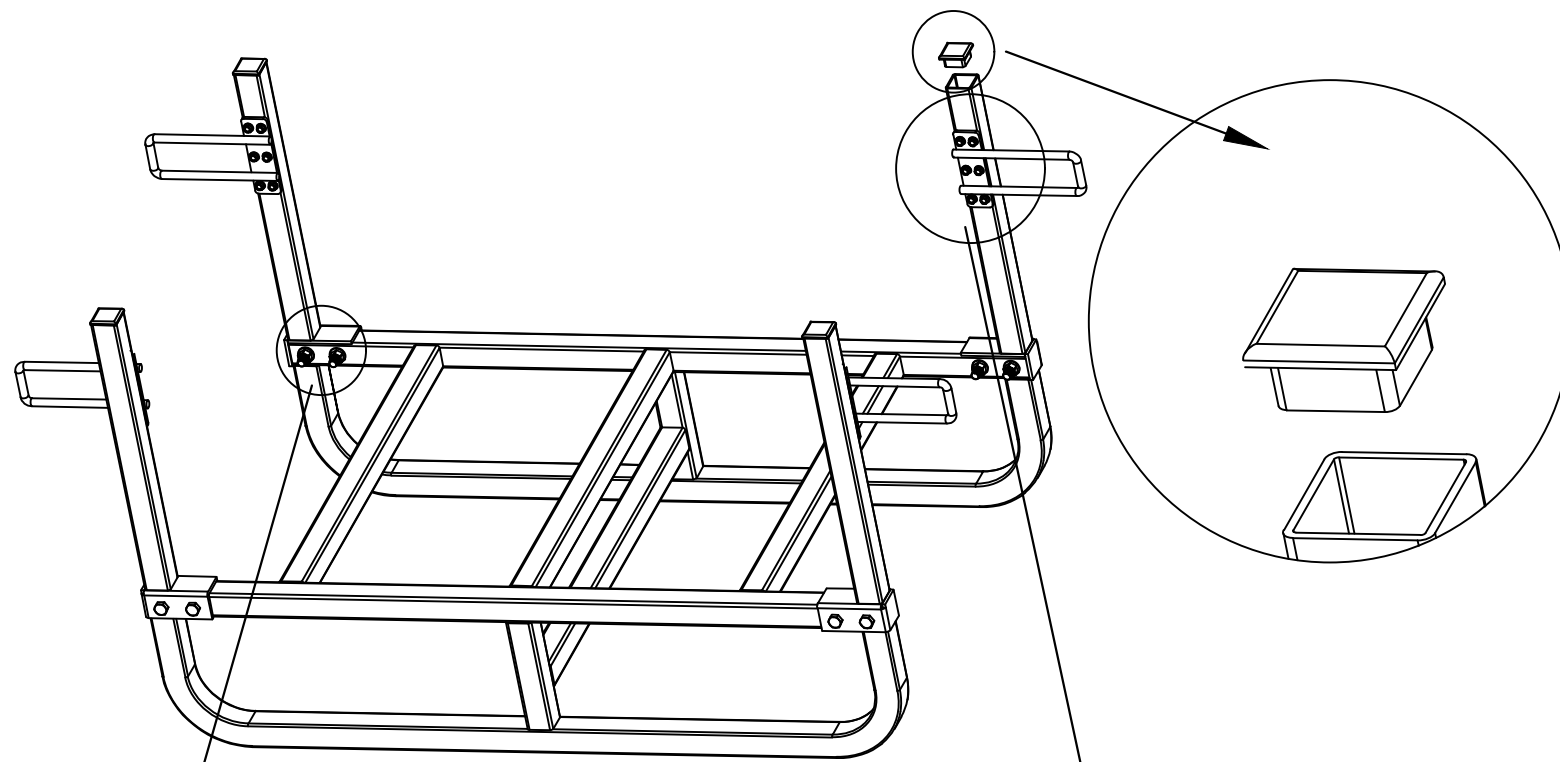
40x40

1x BU

READ BEFORE USING YOUR UNIVERSAL FEEDER

- The calibration table is an initial guide of daily intake for livestock only. The age and weight of the stock will vary rates.
- Introduce cereal grains with caution to allow livestock to adjust and avoid acidosis.
- If possible mix other grains to cereal grains to help reduce the risk of acidosis.
- The feeders are made to be fork filled and sold forward. Moving the feeder with grain will increase the users own risk.
- When adjusting the feeder allow for the age of the livestock. Livestock in particular have zoomer intakes, so the higher adjustment will need to be higher so they can reach the top area.
- If unrestricted feeding rates want to be achieved speak to your nearest Universal Feeder dealer about all statements which increase the trough height.
- The height and width of the feed both have modules for the adjustment. Note: Other height is when the adjuster is pressed against the base sheet of the feeder. Note: For the width represents the width of the feed is completely closed. No measuring tape tools are required.
- Locating the feeder away from the main water source makes the feeder more accessible for dry feeders and encourage grazing.
- To wash livestock, a height setting of at least 3.4 metres is desirable. If only cereal grain during a calibration period, adding agribags or oats to the mix will reduce the risk of acidosis if the setting is too high initially.
- The following points are applicable to Outdoor Feeders. When adjusting the lower adjuster with grain in the feeder, do not lower the both too much as grain will get under the side. In this occur, close the upper side down to stop the flow of grain and close the grain out from underneath the lower side before tightening.
- Overstocking of the feeder will encourage shy feeders.
- For 2500L models a maximum of 150-170 sheep/goats and 25-35 cattle per feeder is recommended.
- For 2500 models a maximum of 75-85 sheep/goats and 13-17 cattle per feeder is recommended.
- Other sources of feed other than the feeder are relevant to stocking rates. The higher stocking rates would only be recommended if the feeder was supplementing other feed.
- There is a volume measurement sticker on the inside of the feeder which can be used to monitor the daily intake calibration.

500L-01



A1x1



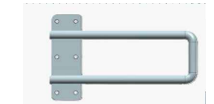
A2x2



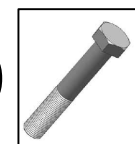
A3x2



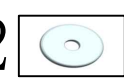
A4x4



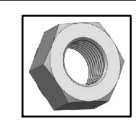
8x M12x70



8x 32x12x2



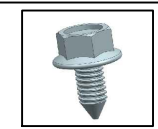
8x M12

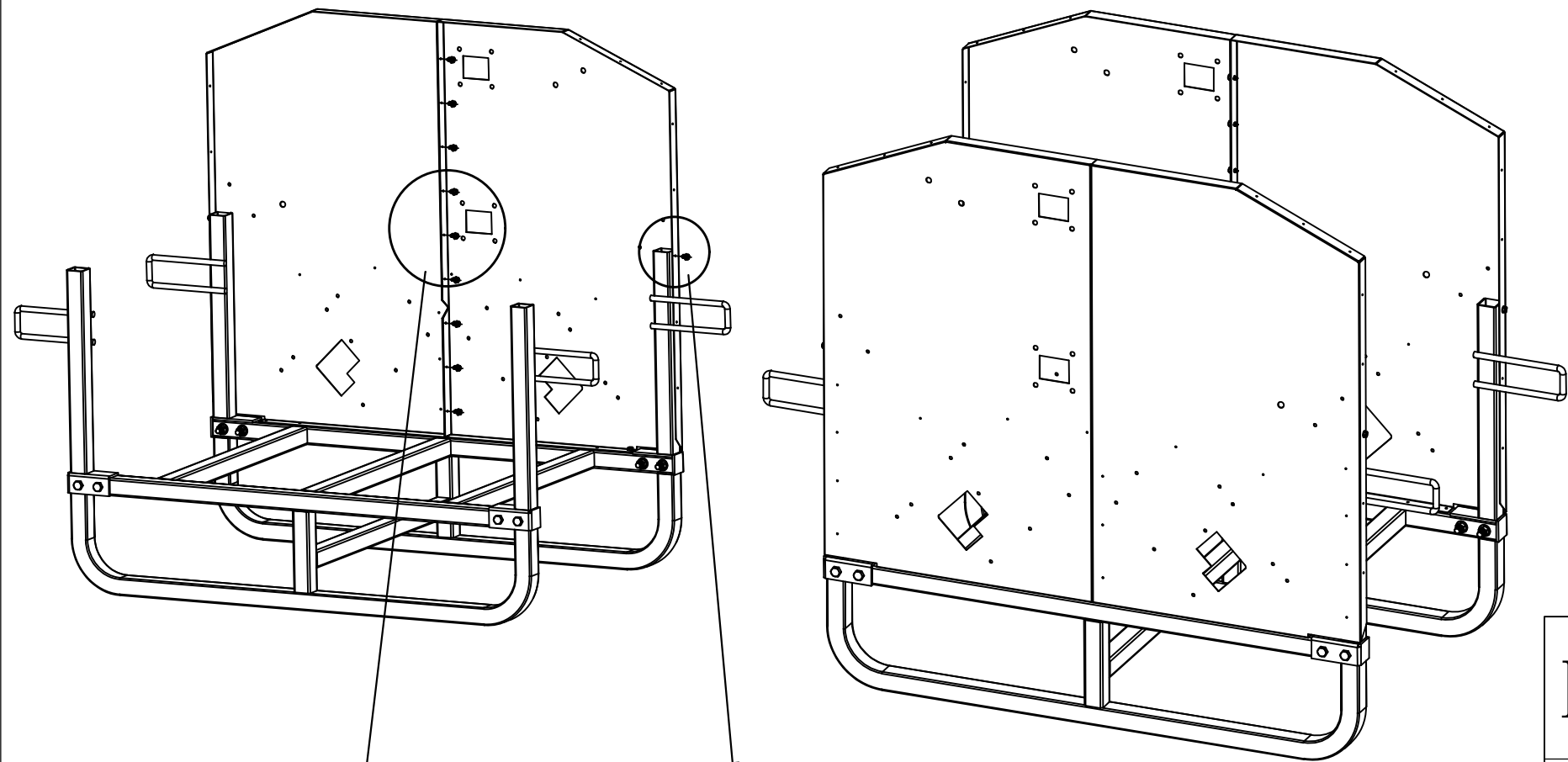


4x 40x40

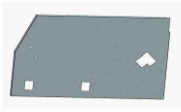


24x M5.5x20





500L-02

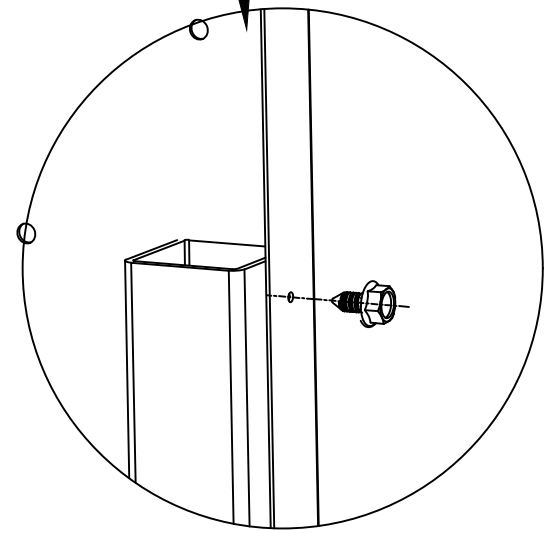
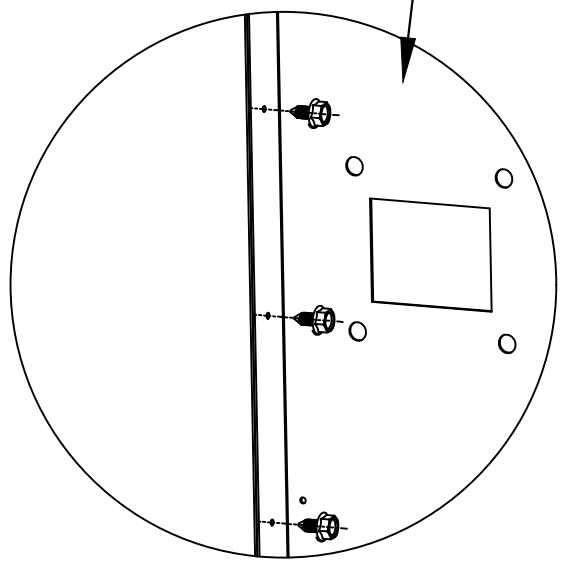
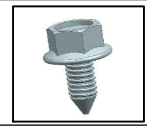
B1x1 

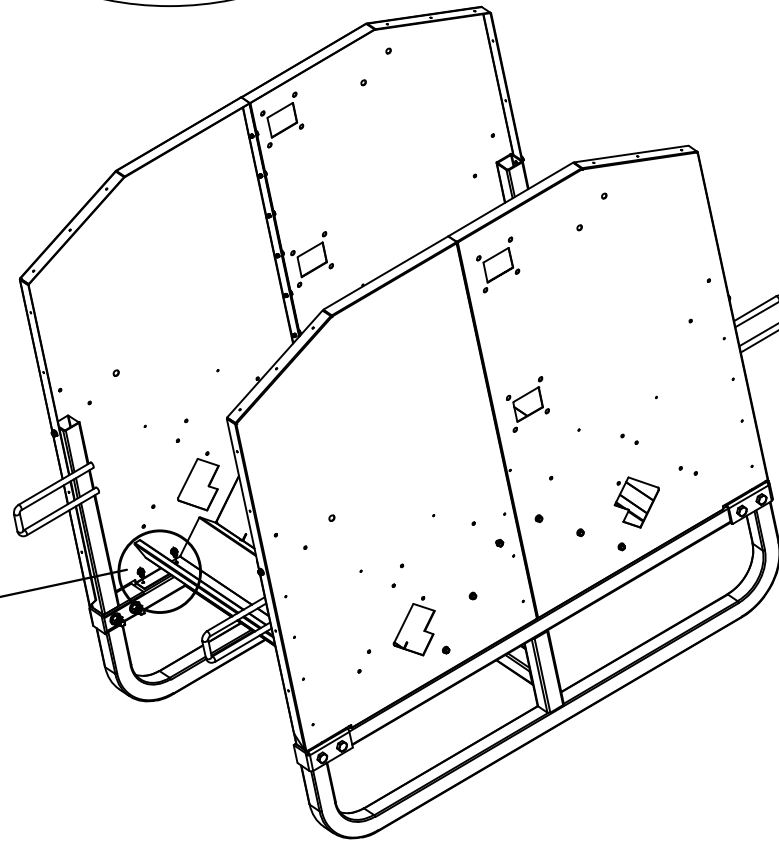
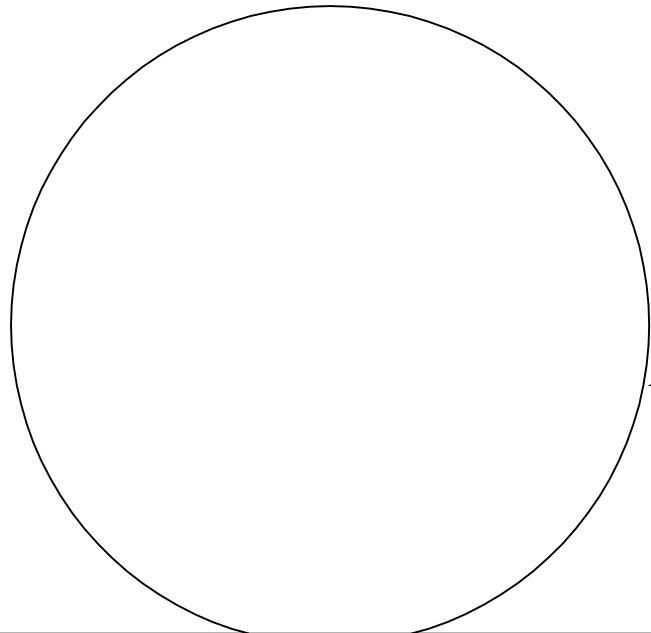
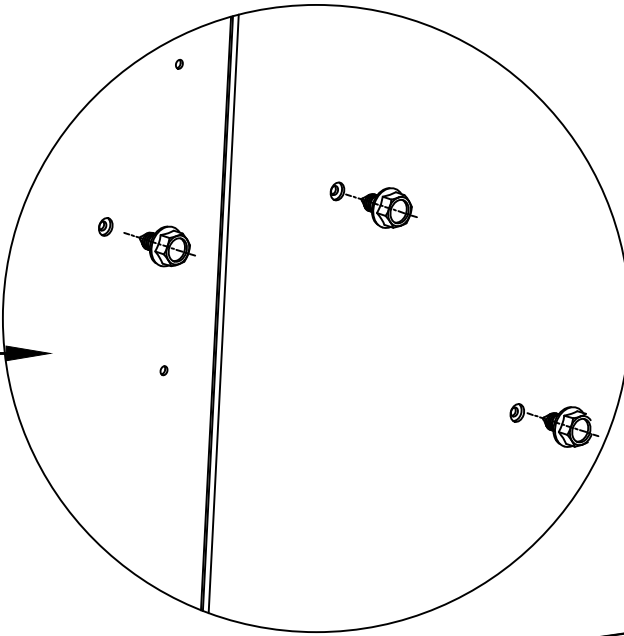
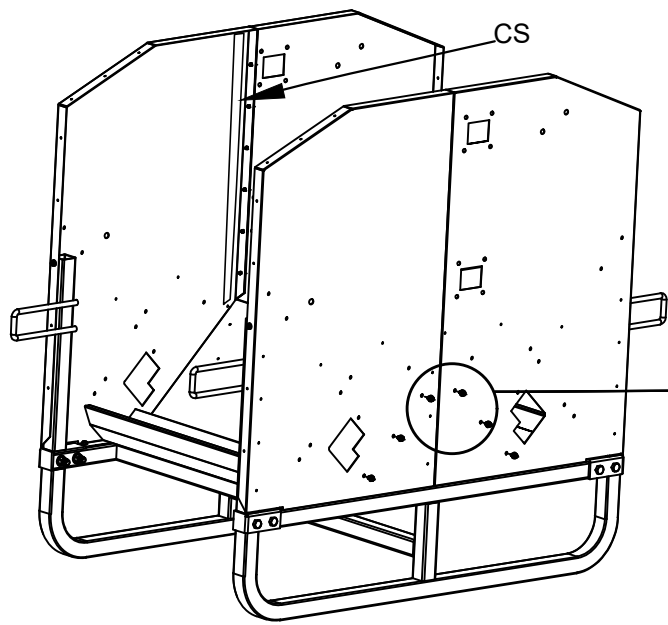
B2x1 

B3x1 

B4x1 

22x M5.5x20



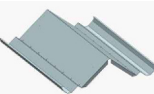


500L-03

CSx1

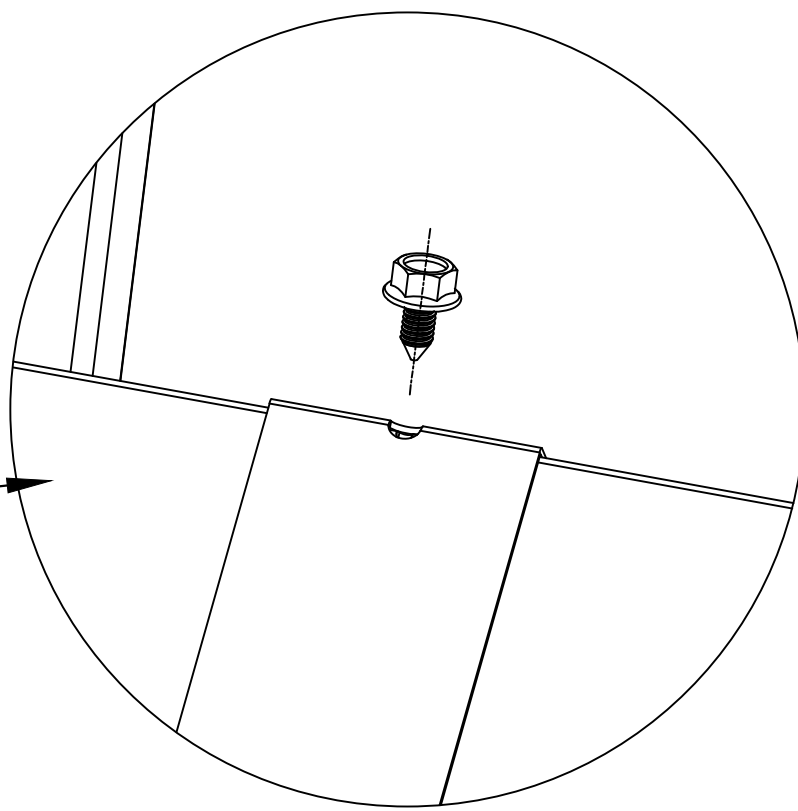
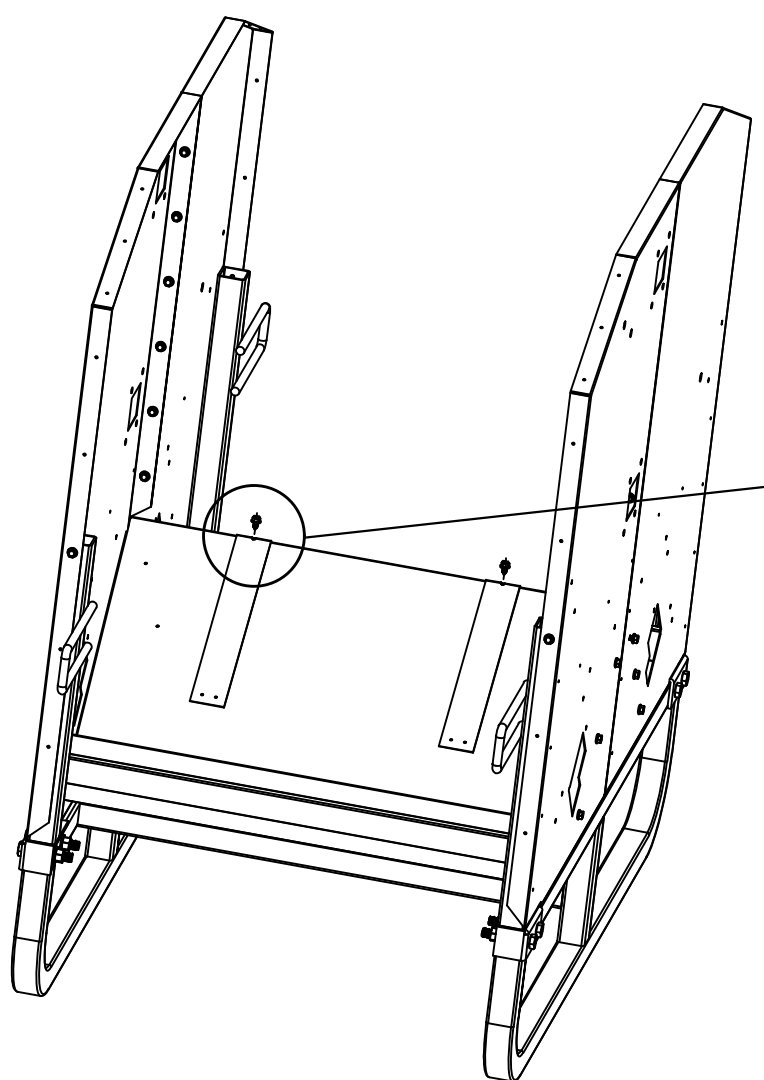


C1x1



20x M5.5x20



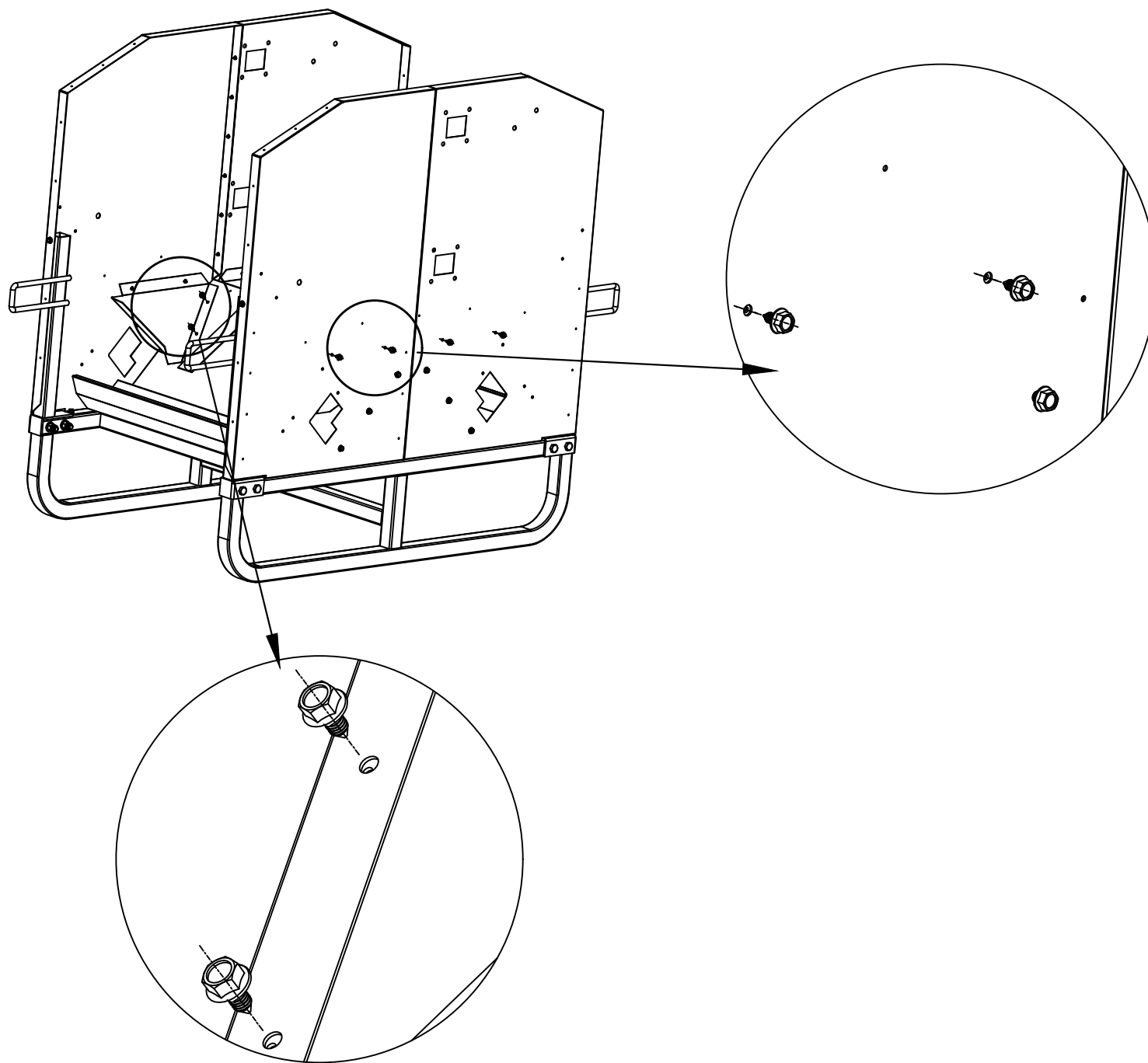


500L-04

C2x2 


2x M5.5x20



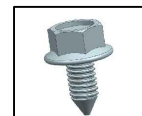


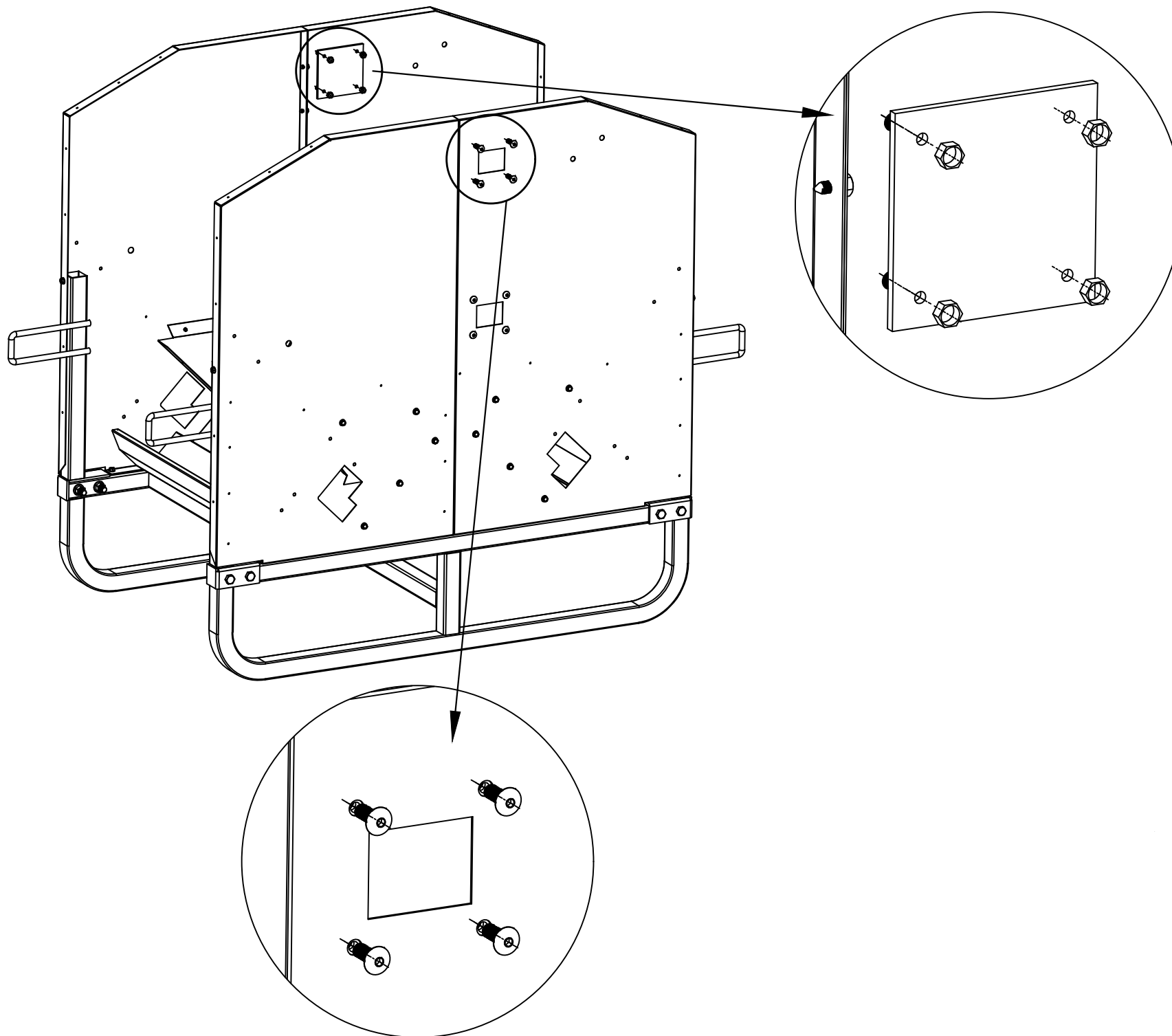
500L-05

C3x2 

C4x2 

16x M5. 5x20





500L-06

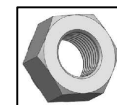
D1x4

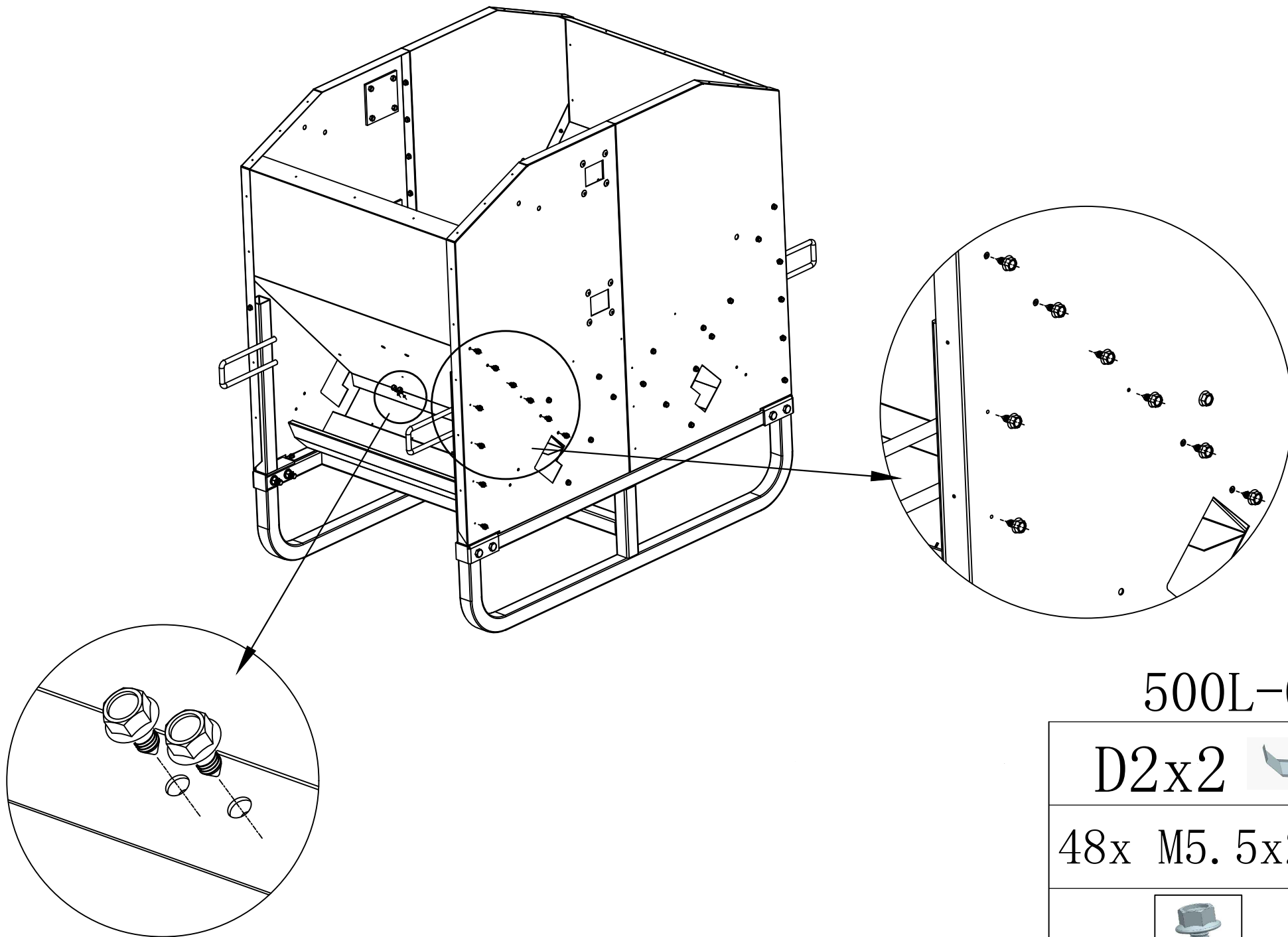


16x M6x16



16x M6



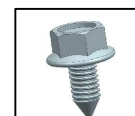


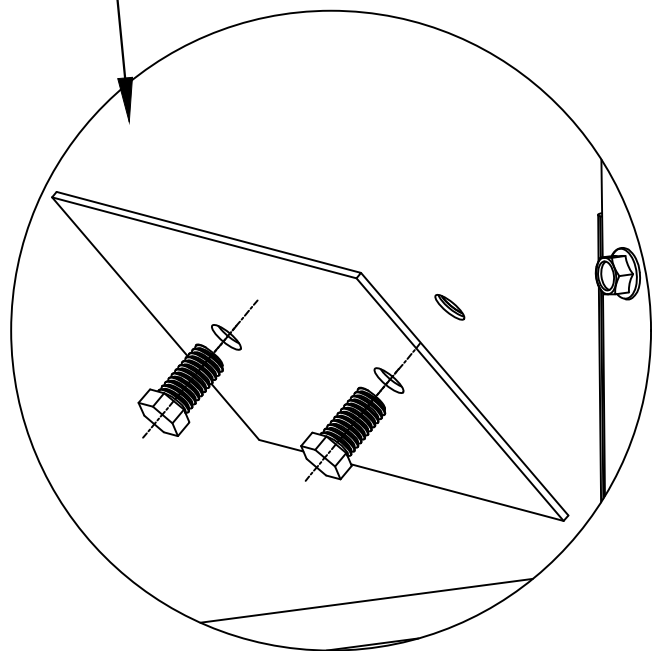
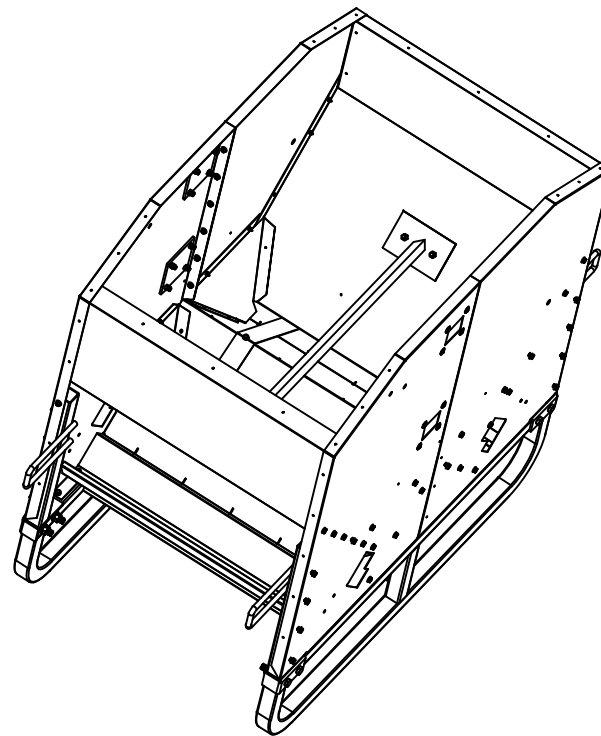
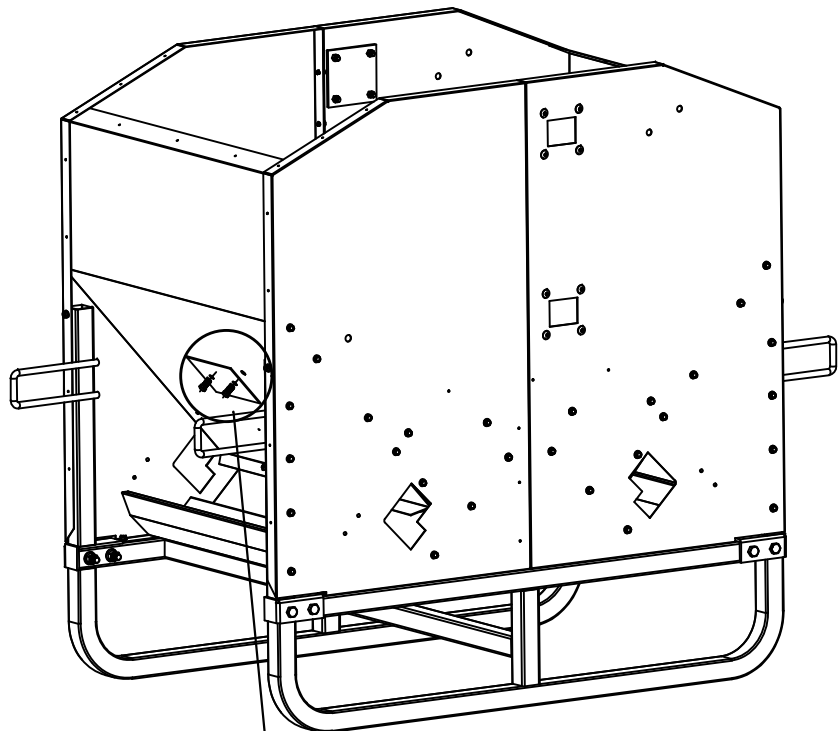
500L-07

D2x2




48x M5.5x20

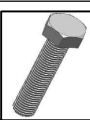




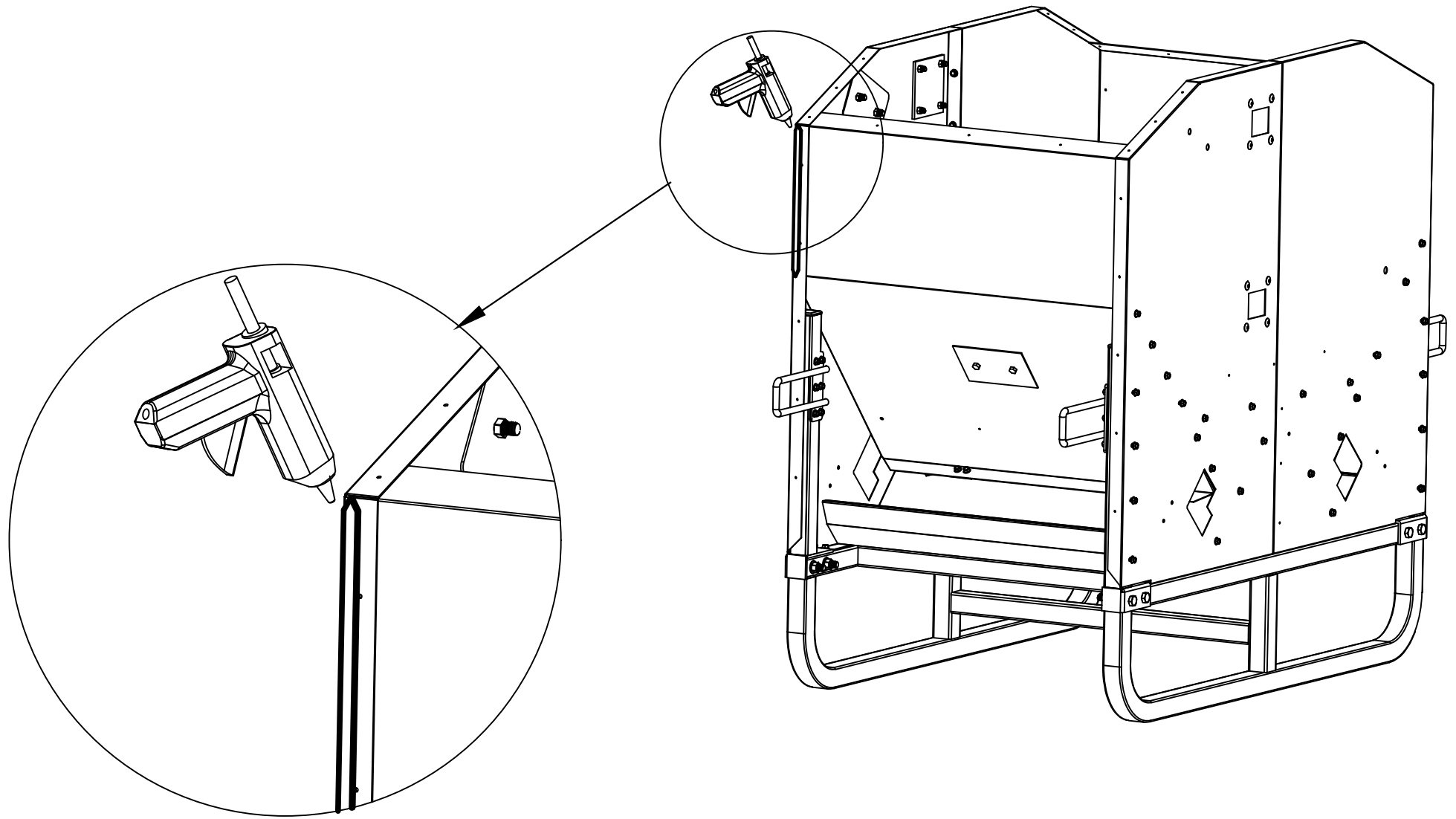
500L-08

E1x1 

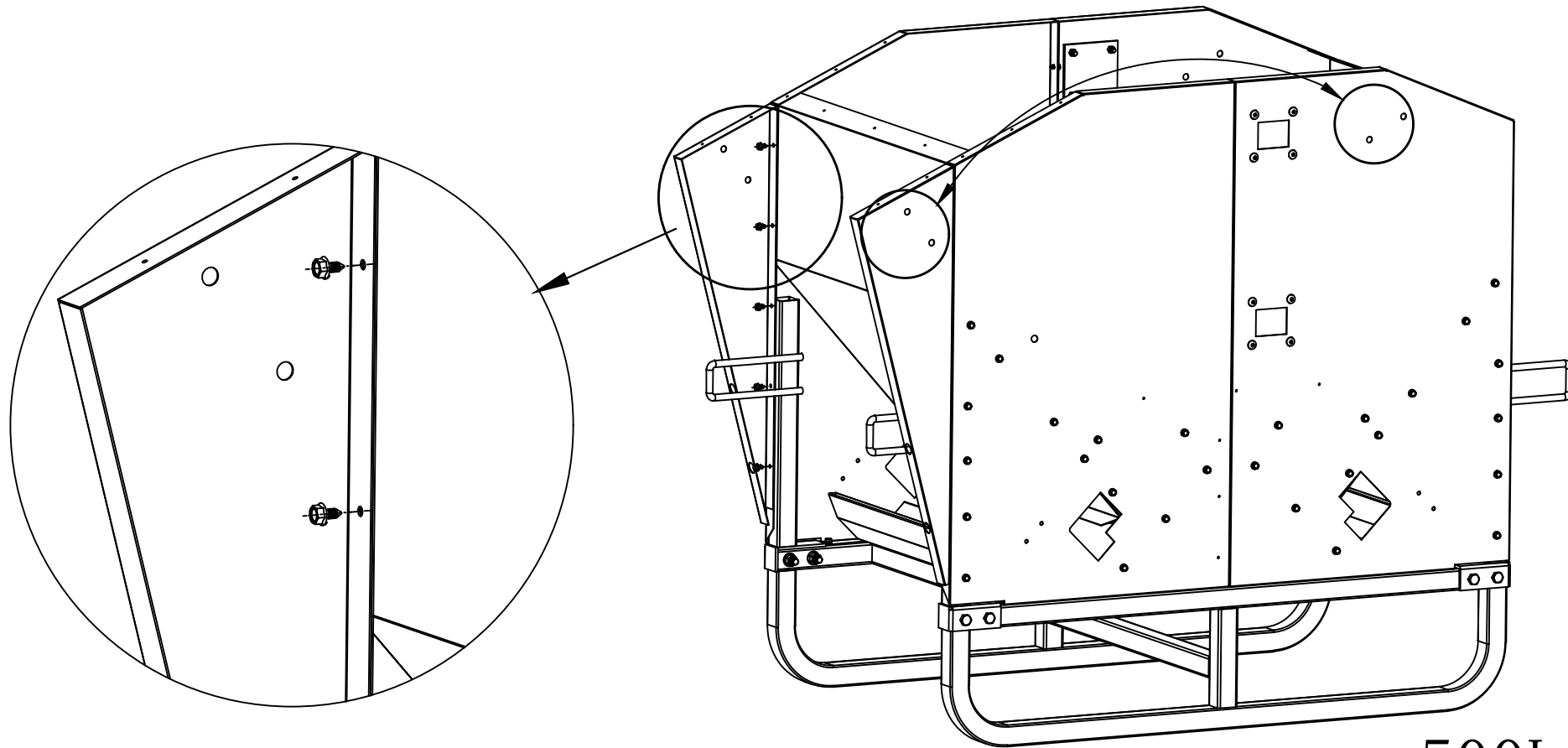
H1x2 

4xSSM8x20 

4x SSM8 



500L-09

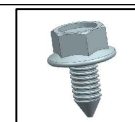


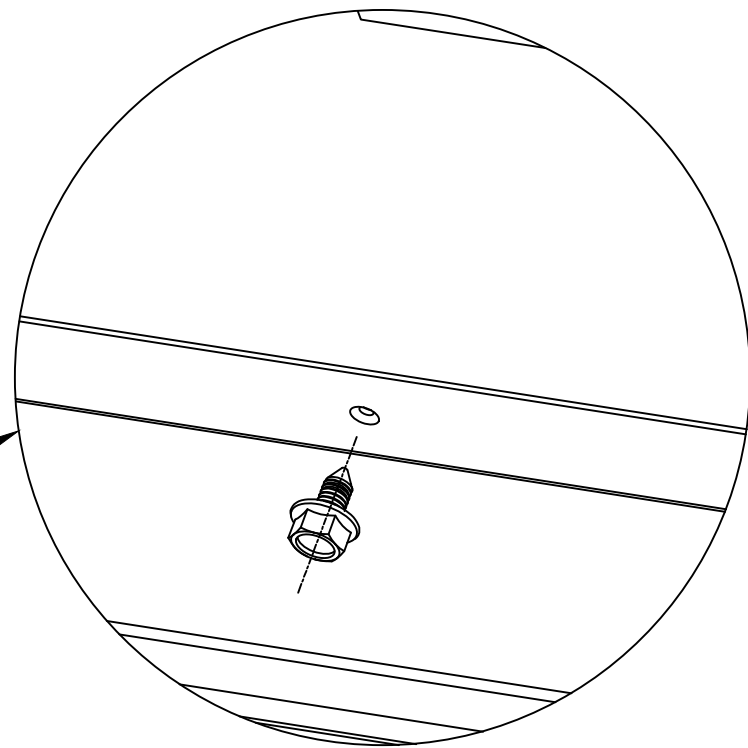
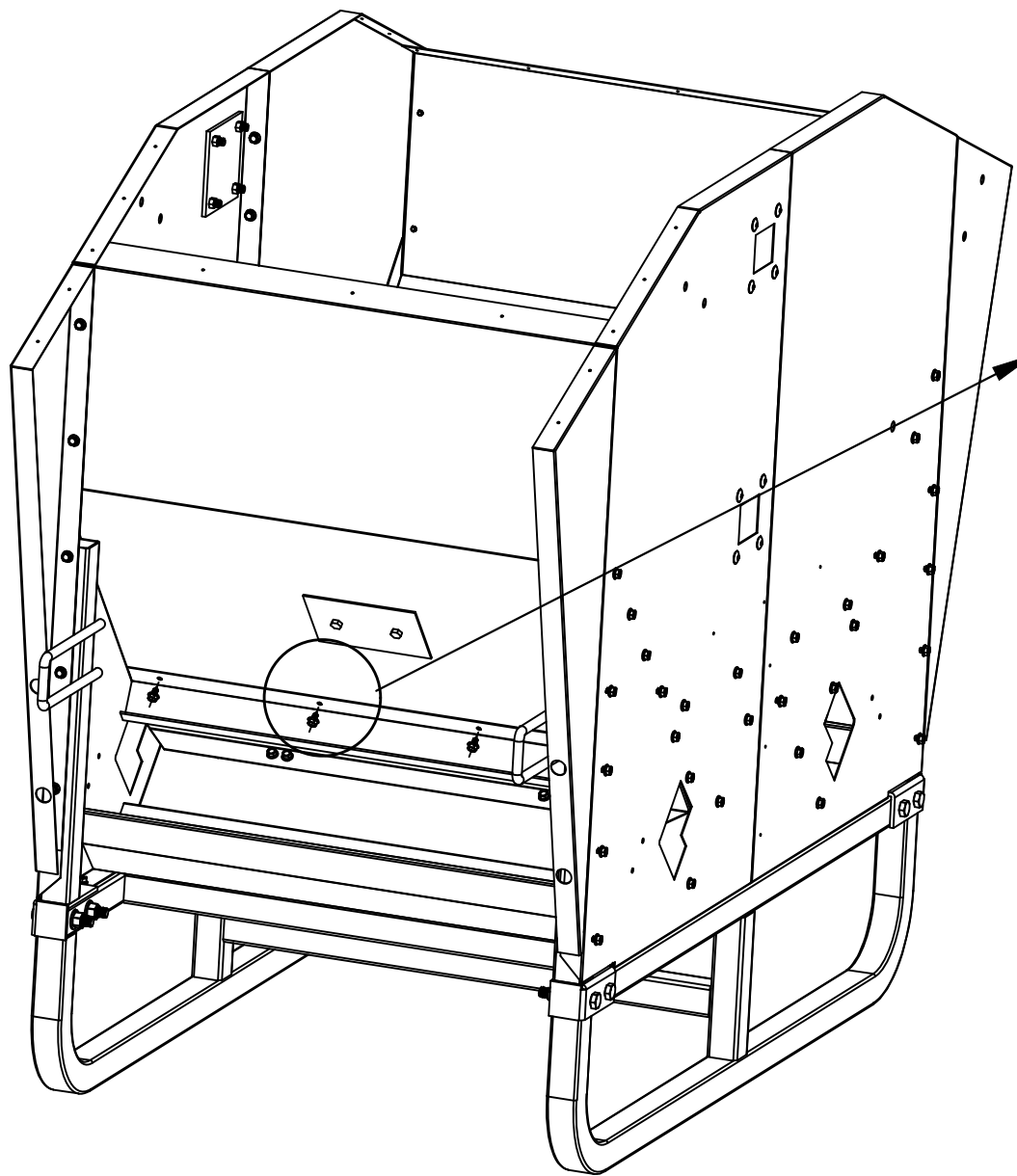
500L-10

F1x1 

F2x1 

16x M5.5x20





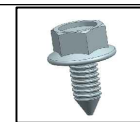
500L-11

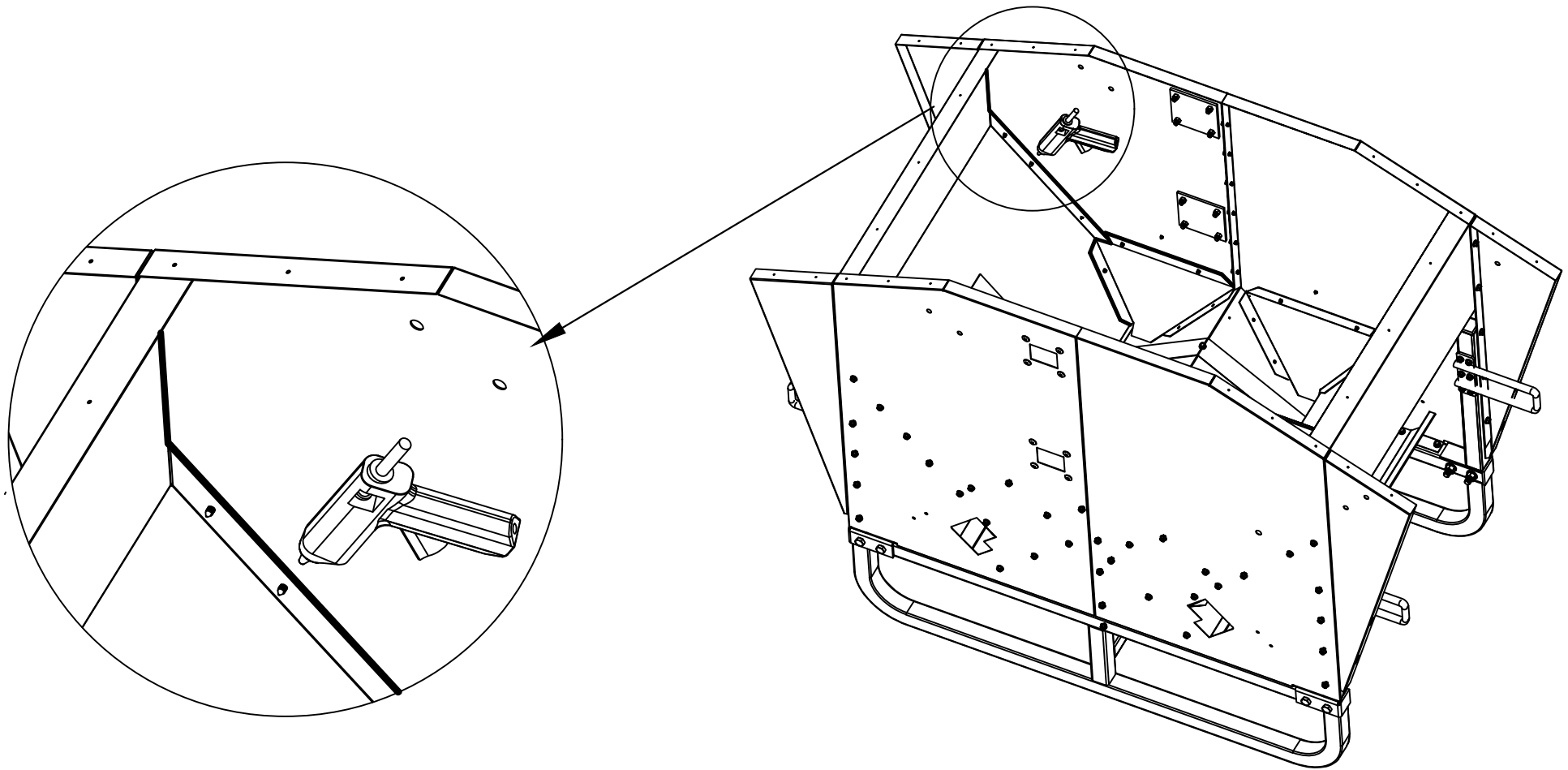
F3x1 

F4x1 

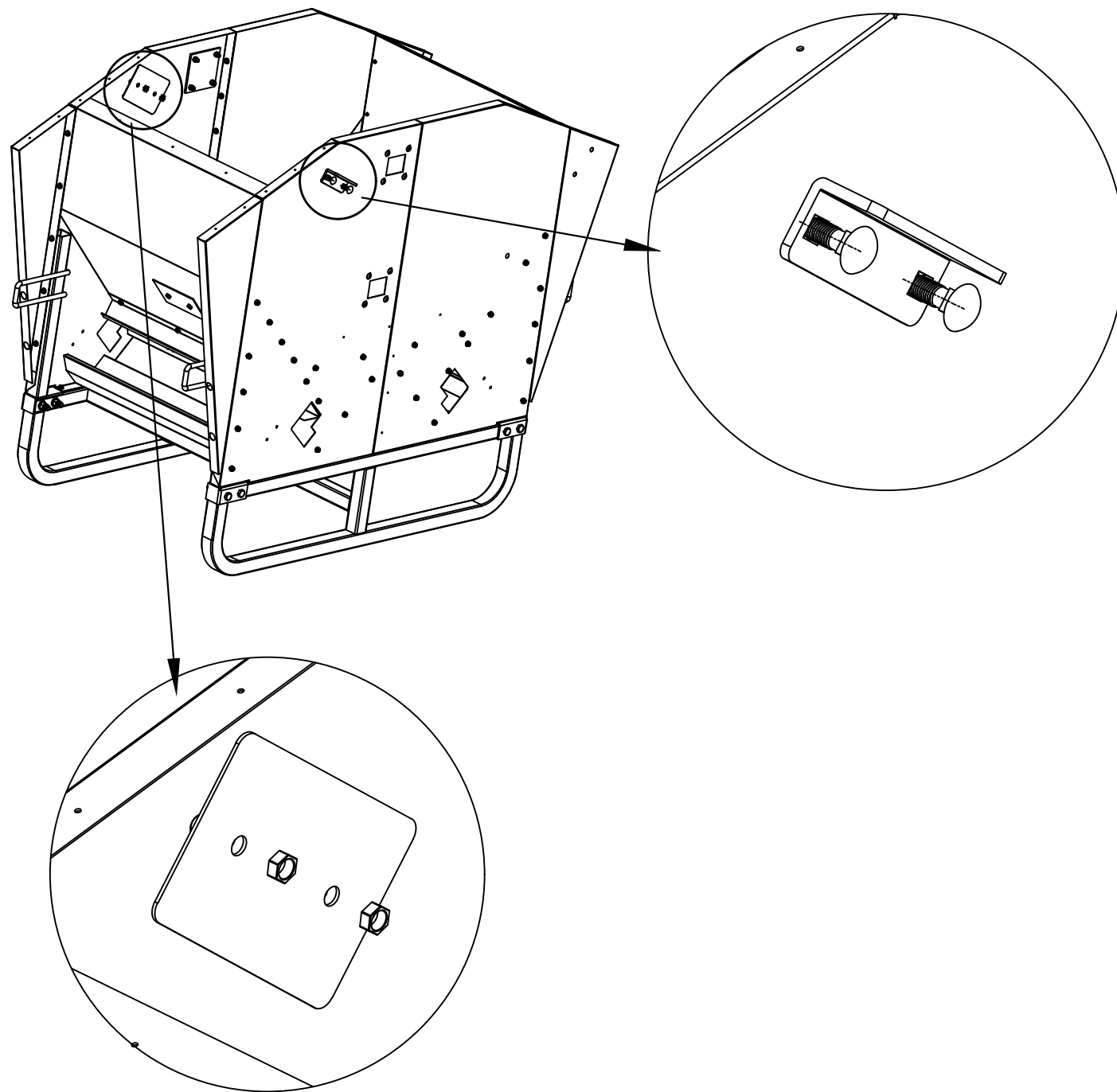
G1x2 

24x M5.5x20








500L-12



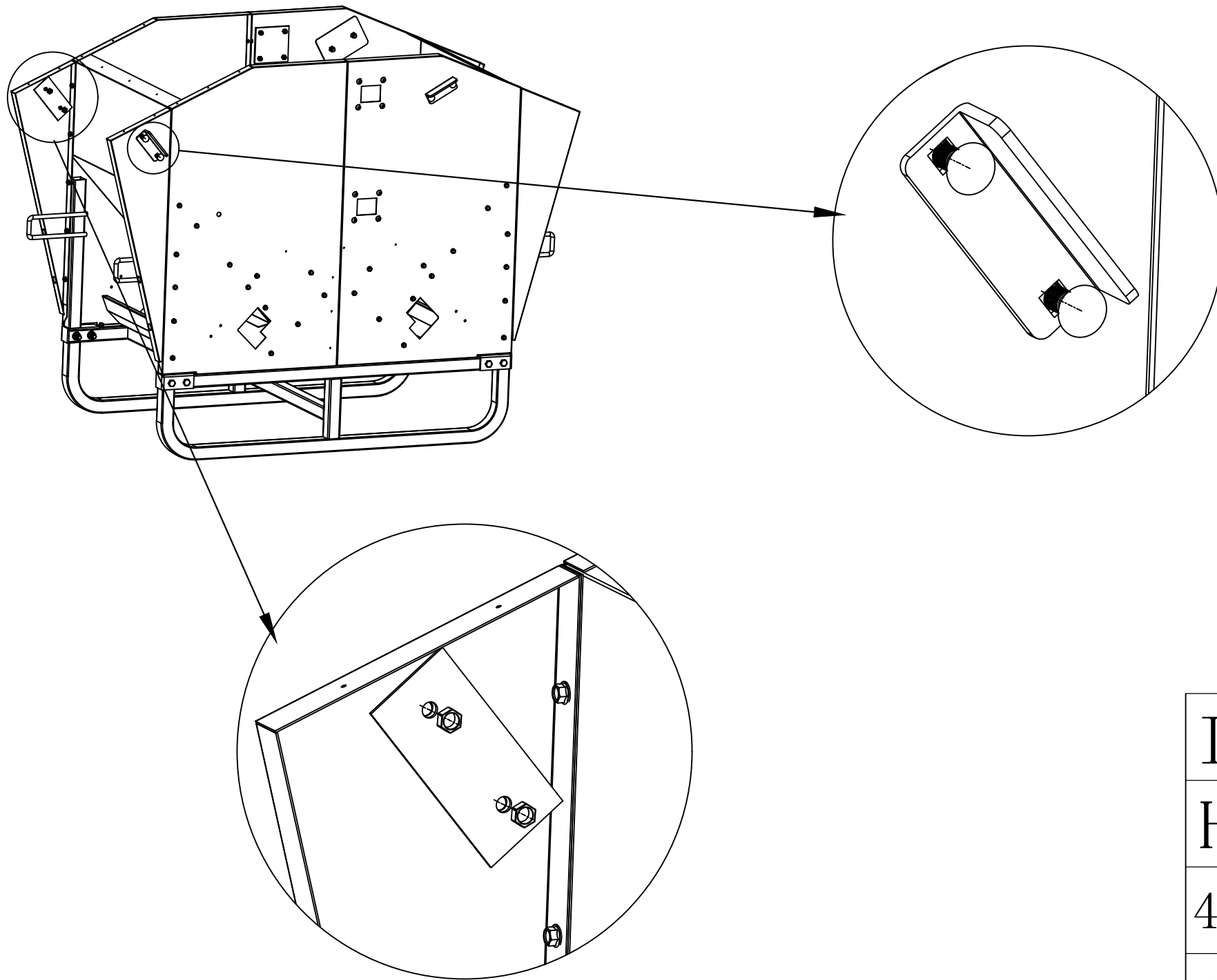
500L-13

I1x2 

H1x2 


4x M10x25 


4x M10 



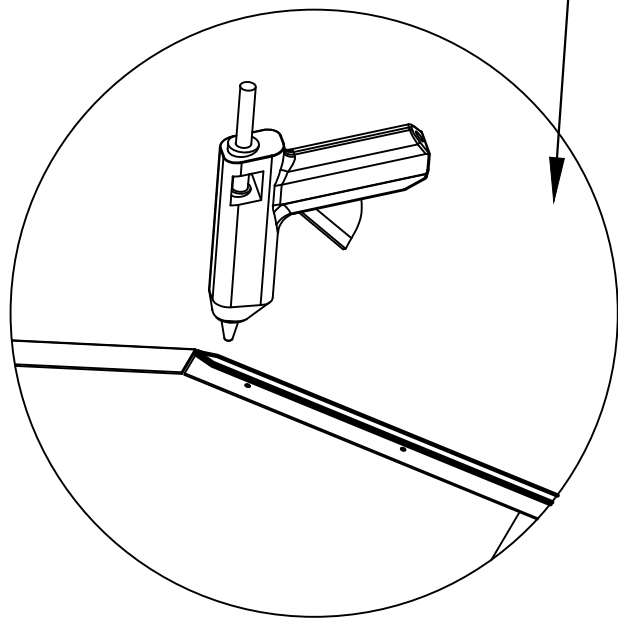
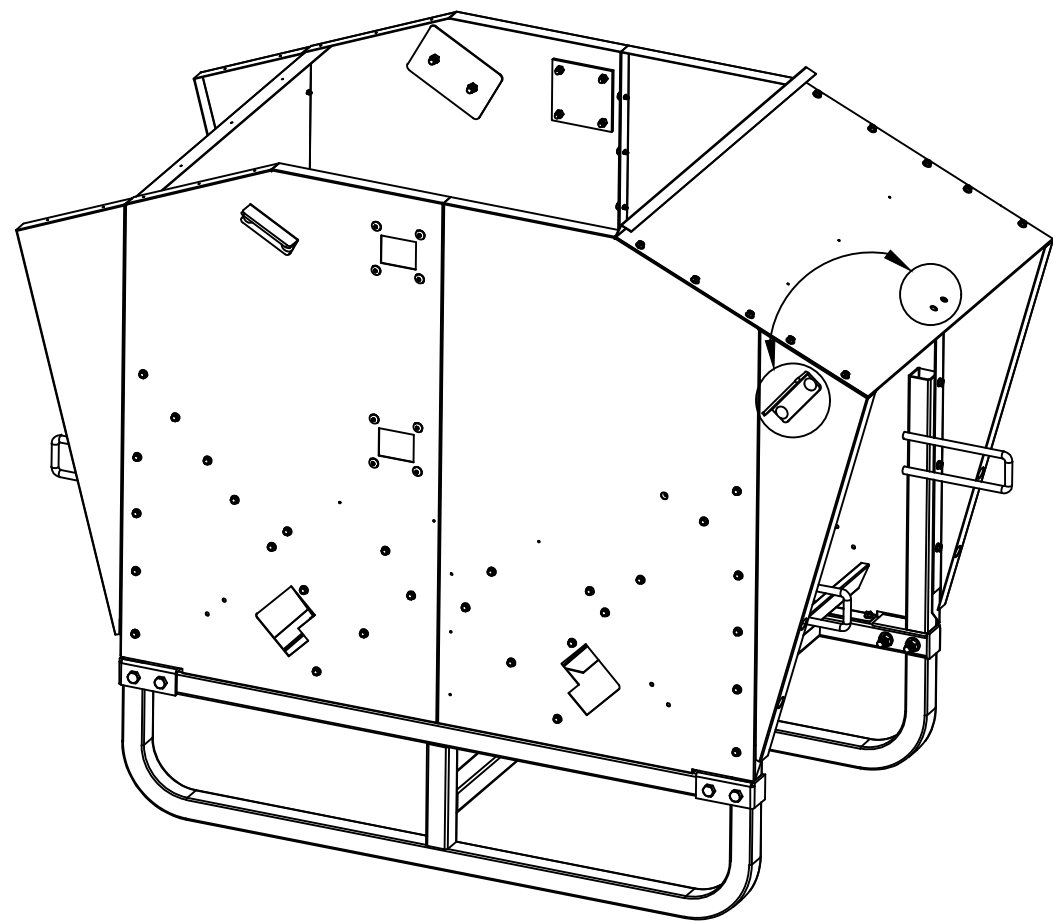
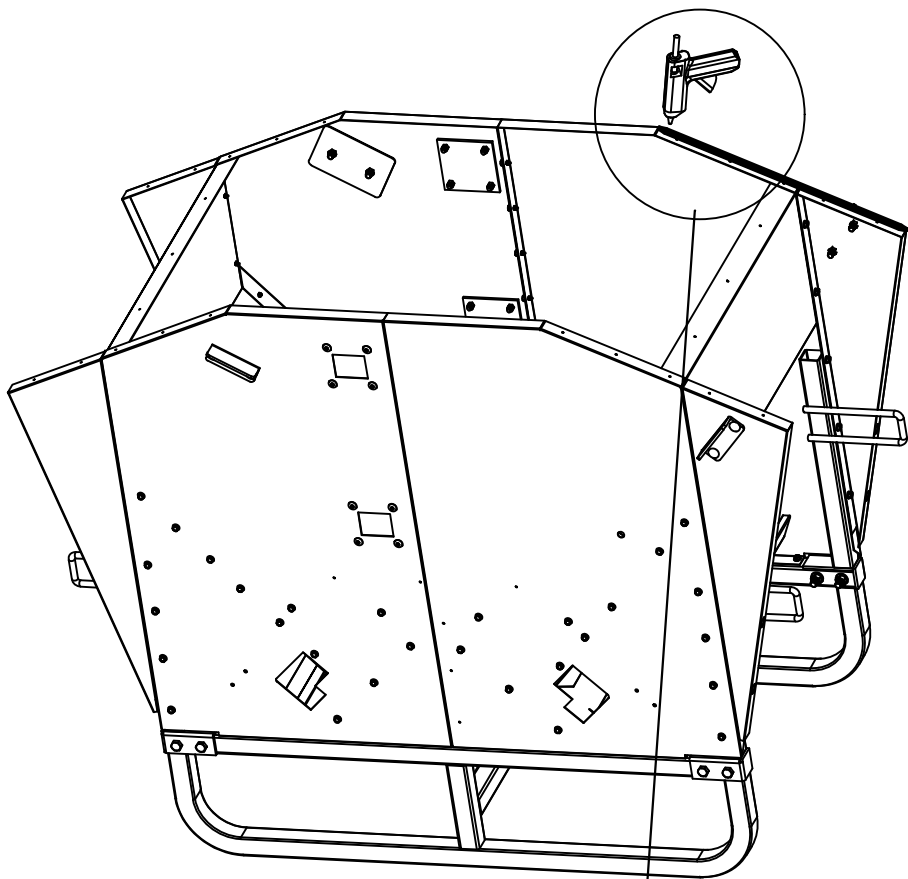
500L-14

I1x2 

H2x2 

4x M10x25 

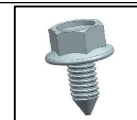
4x M10 

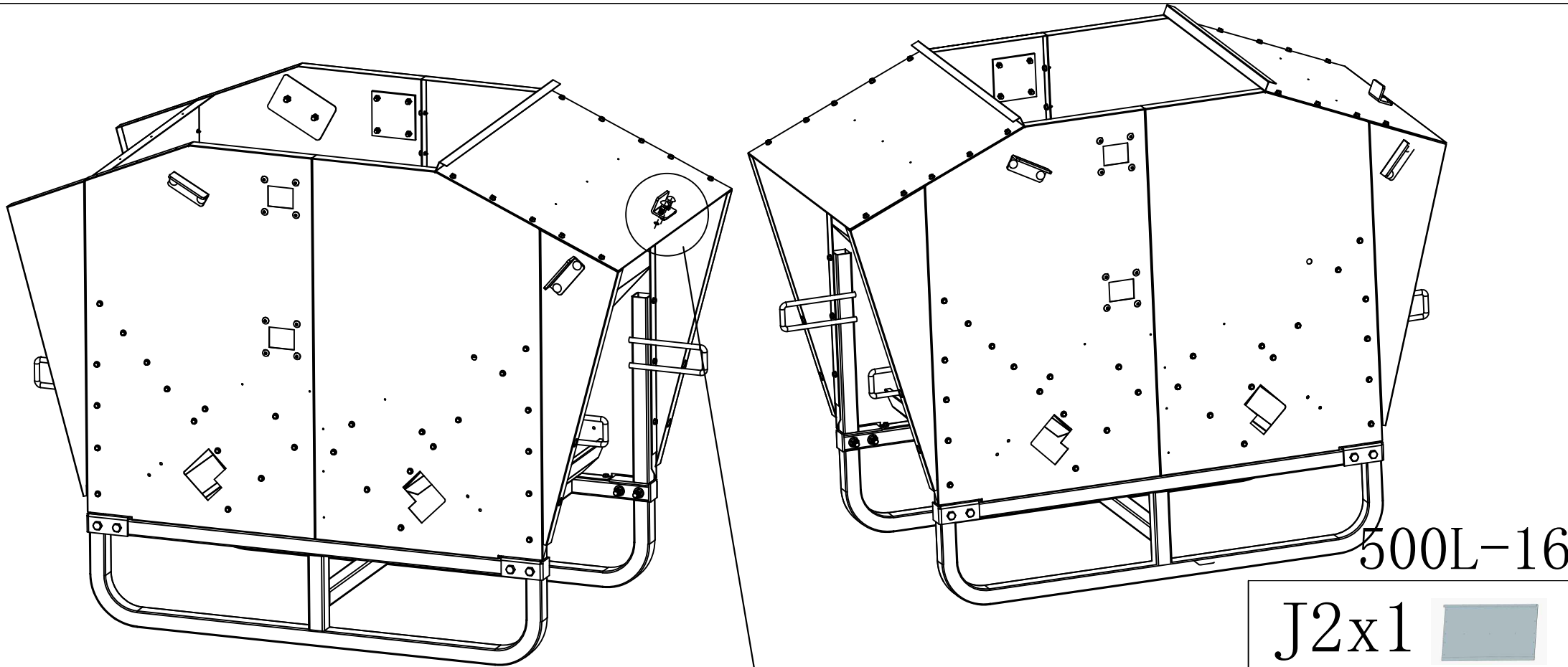


500L-15

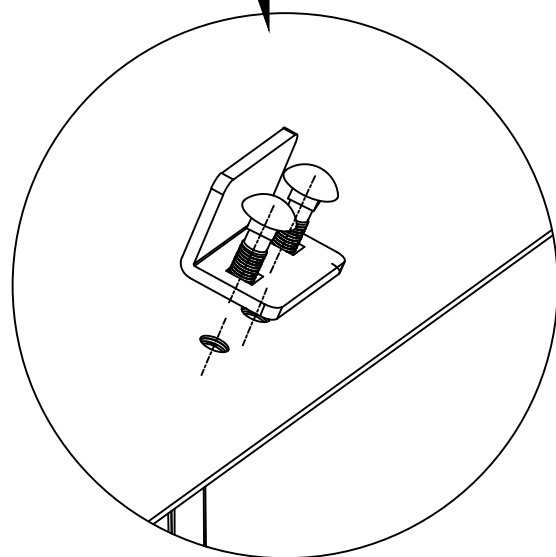
J1x1 




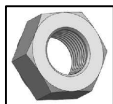

10x M5.5x20

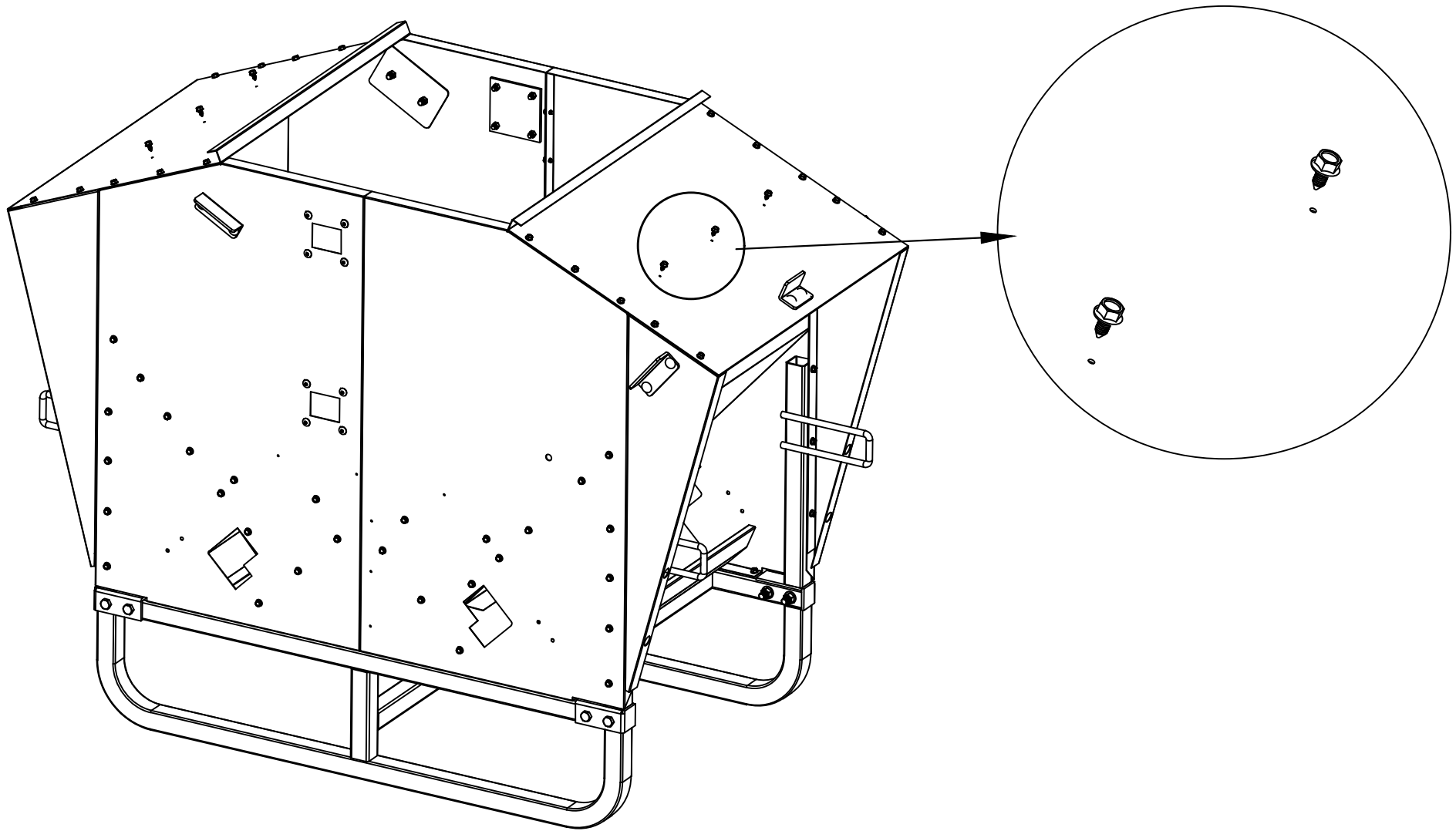




500L-16

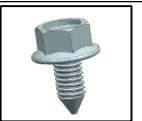


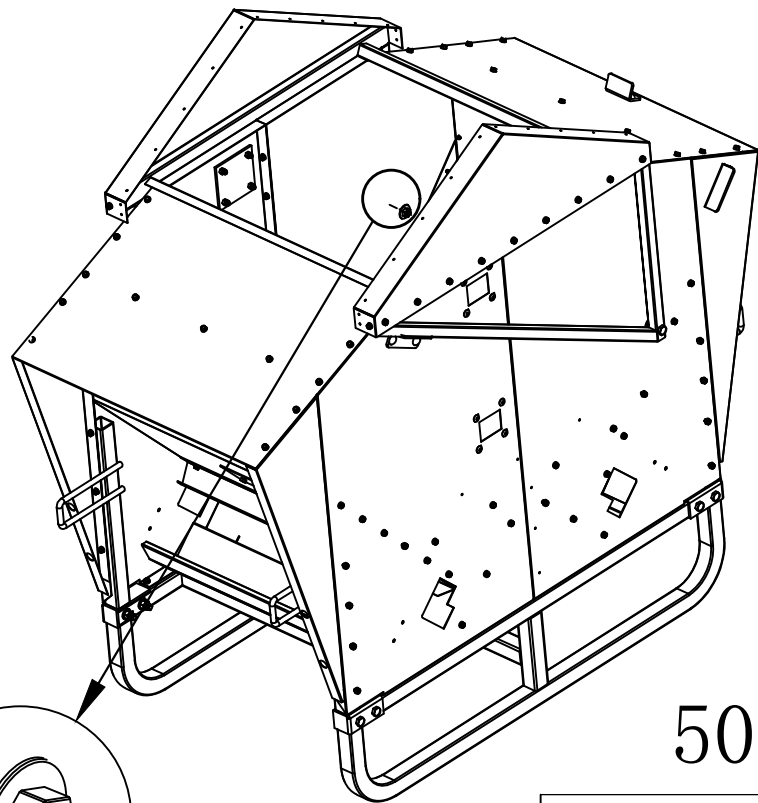
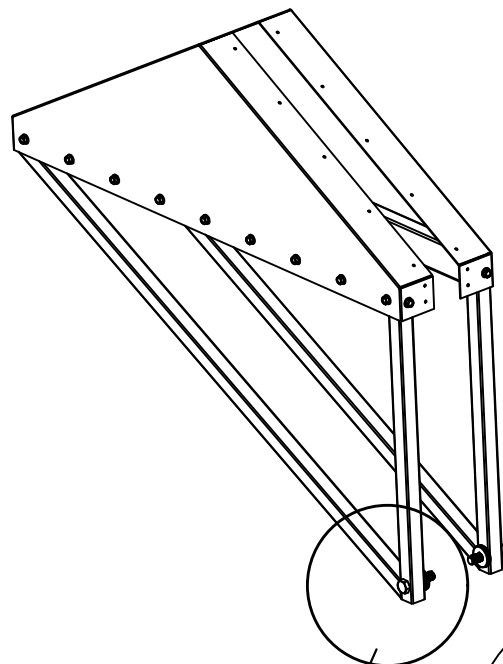
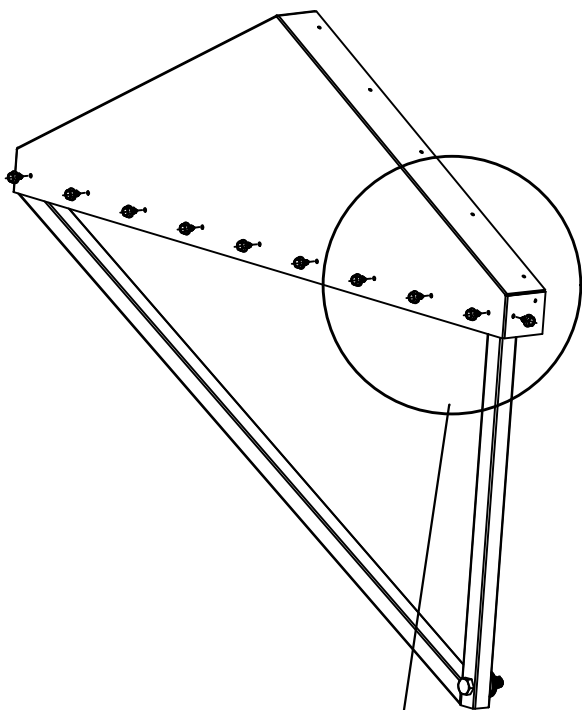
J2x1	
I2x1	
2x M10x25	
2x M10	
10x M5.5x20	



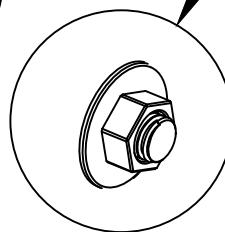
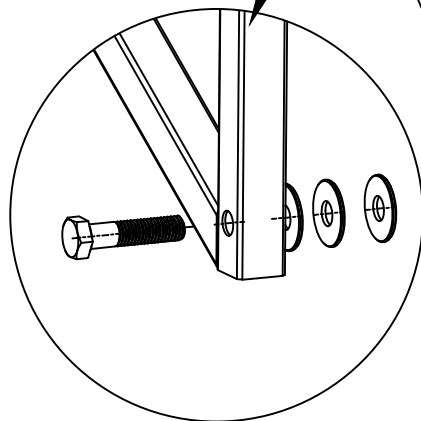
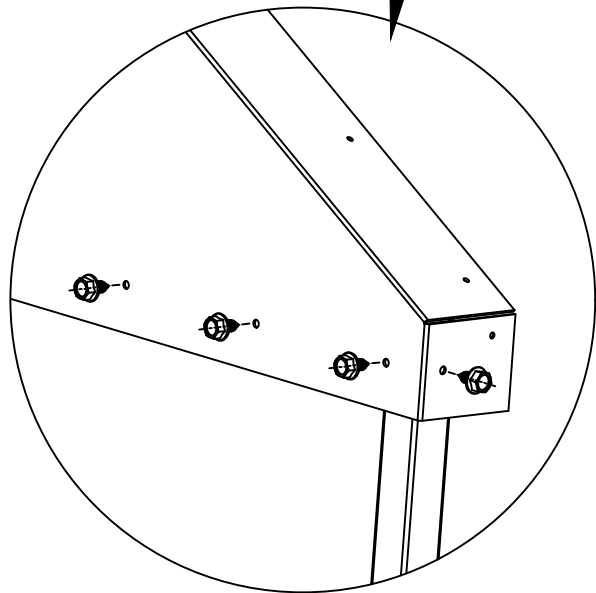
500L-17


6x M5.5x20







500L-18



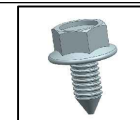
K1x2 

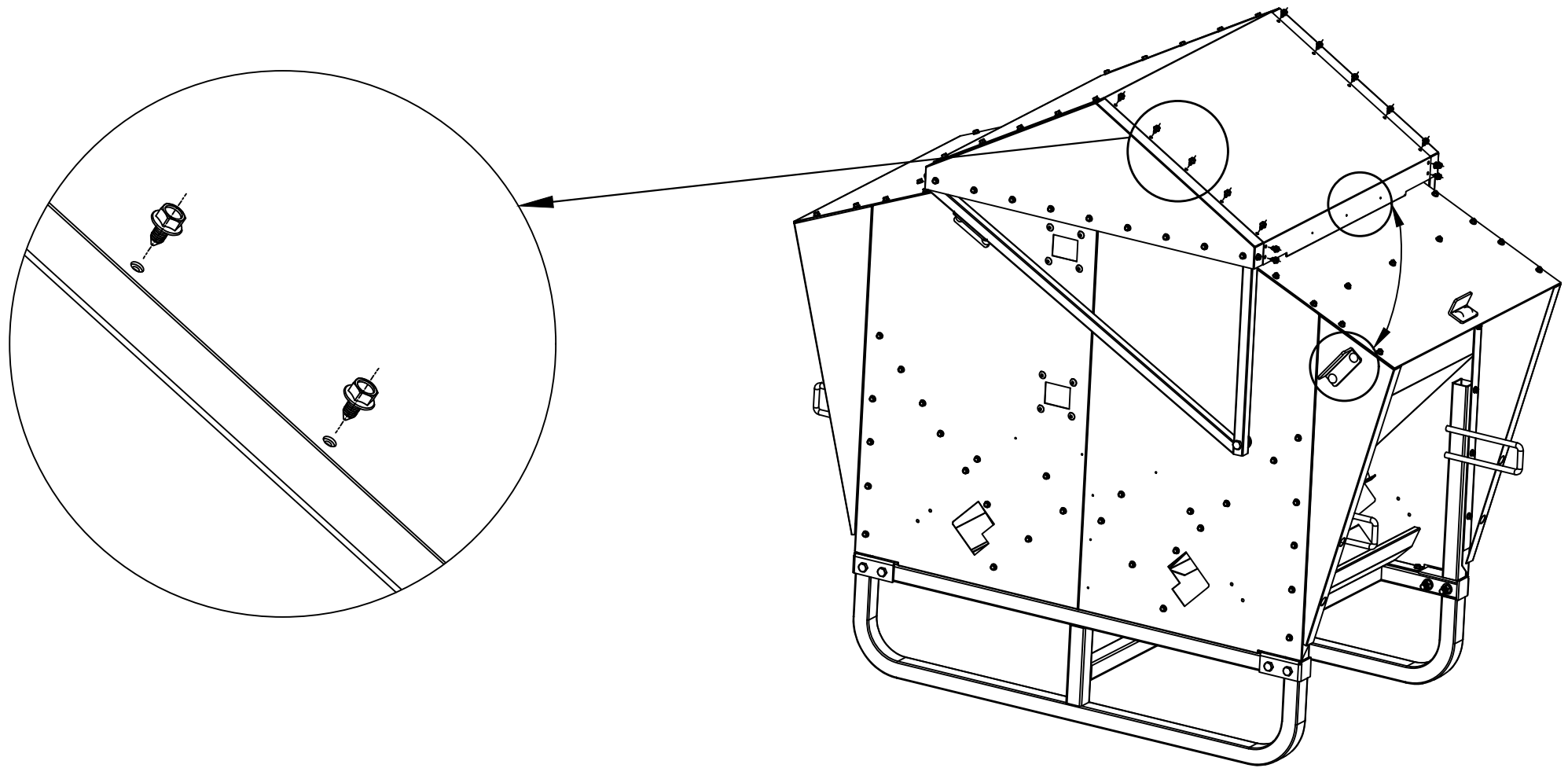
K2x2 

2x M12x50 

6x 32x12x2 

22x M5.5x20



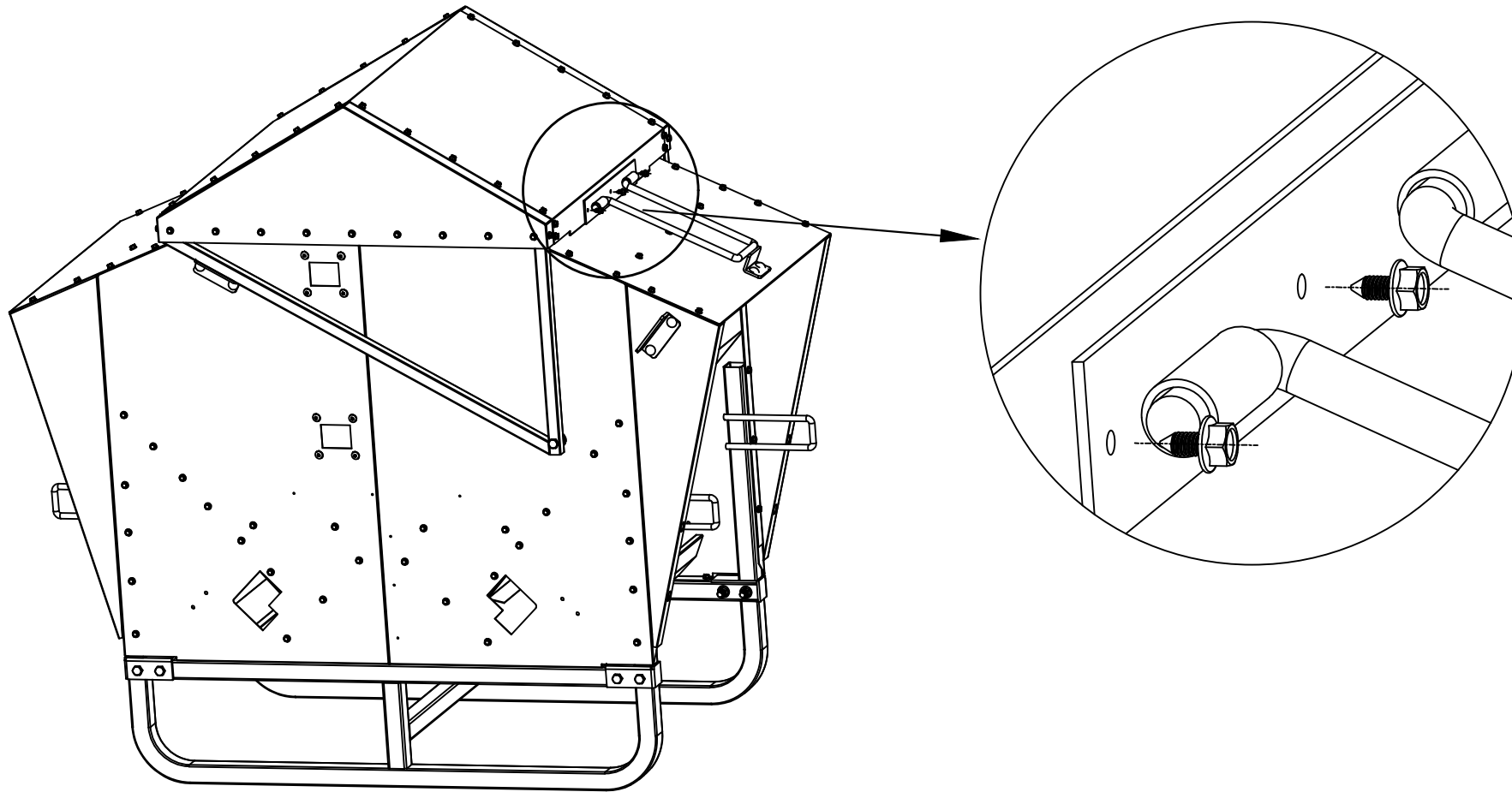


500L-19

K3x1 

28x M5.5x20





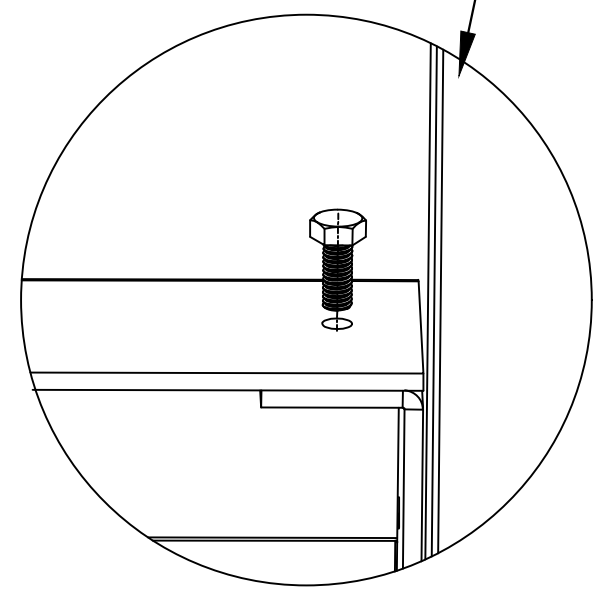
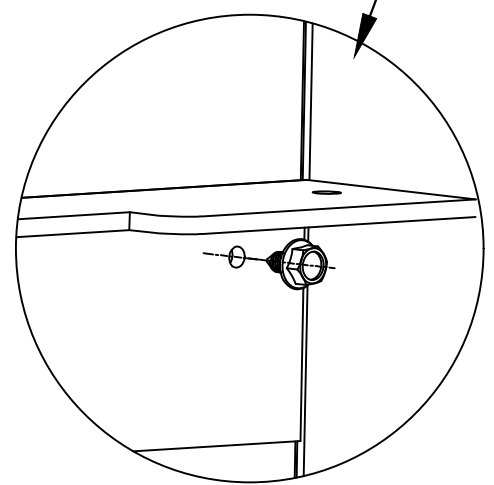
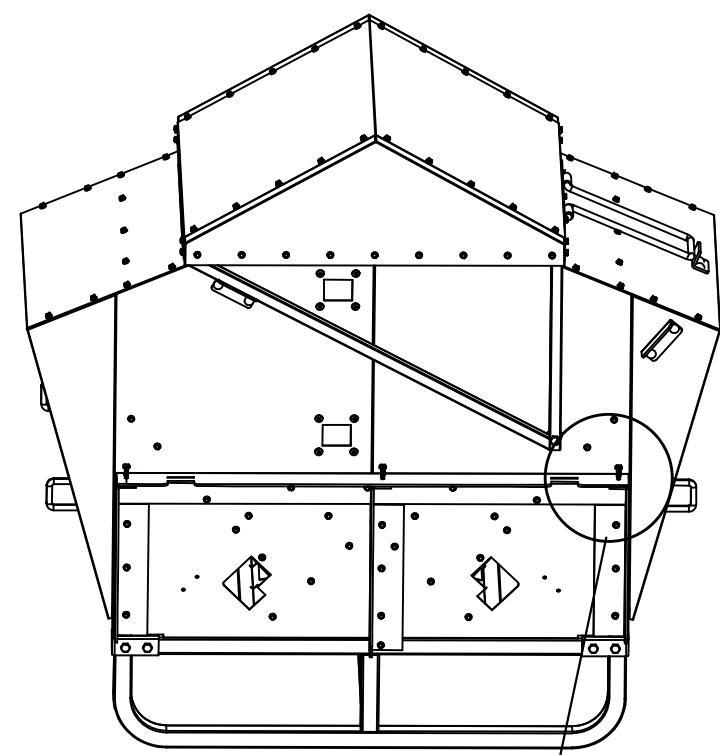
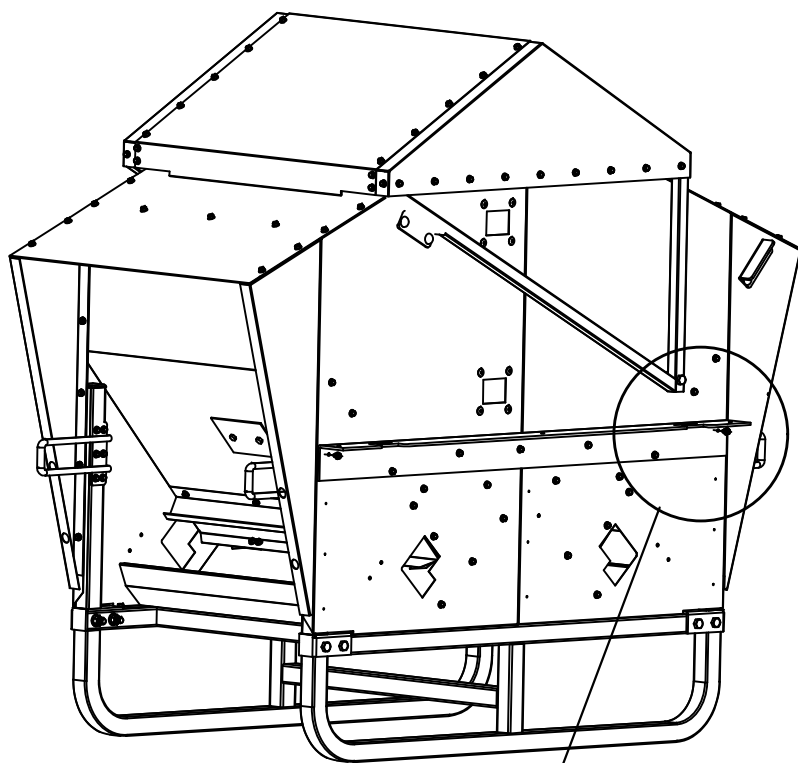
500L-20

L1x1 

3x M5.5x20



500L-21



M1x1 

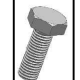
M2x1 

M3x1 

M4x1 

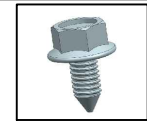
M5x2 

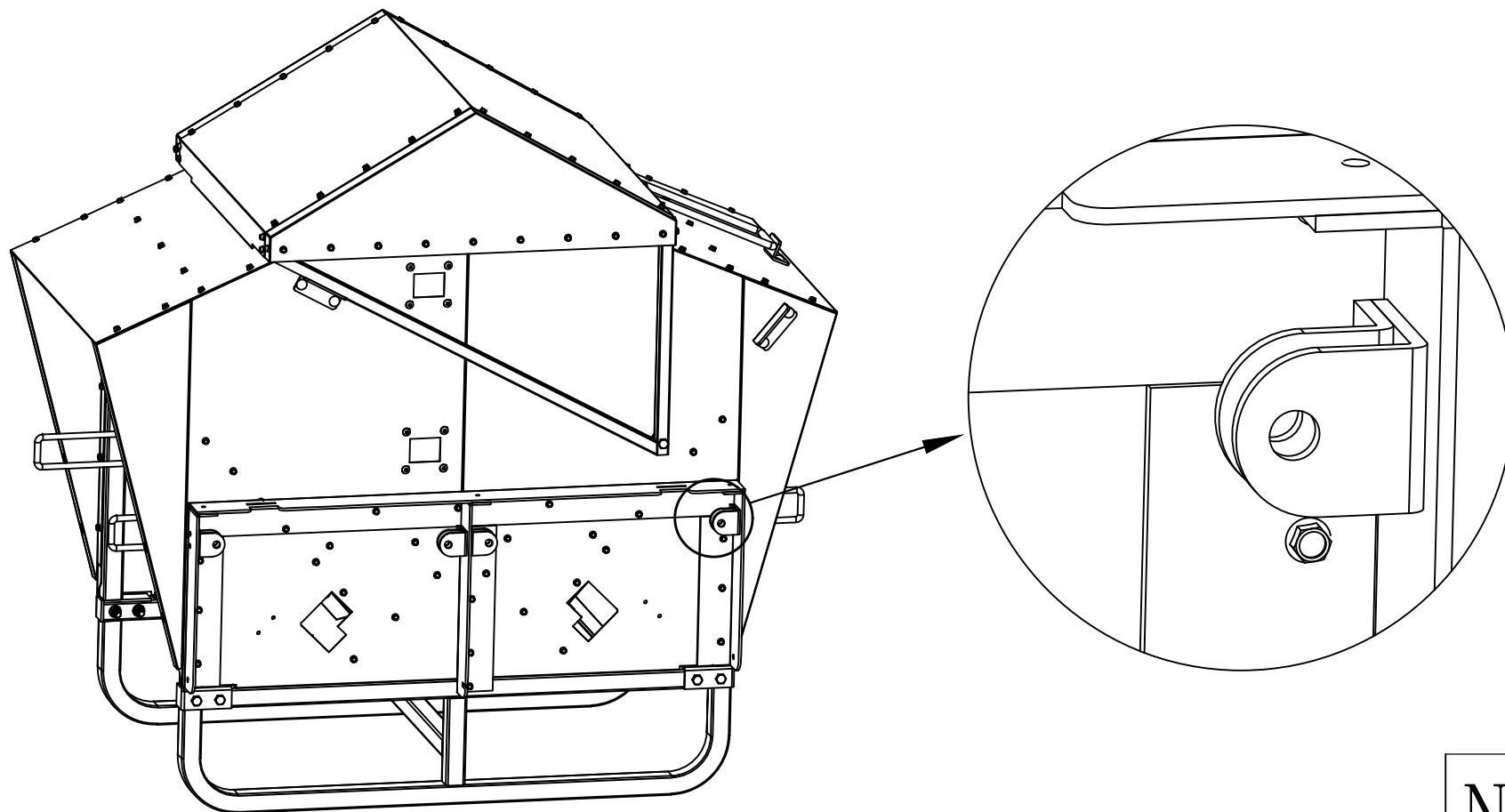
M6x2 

6x M8x20 

6x M8 

36x M5.5x20





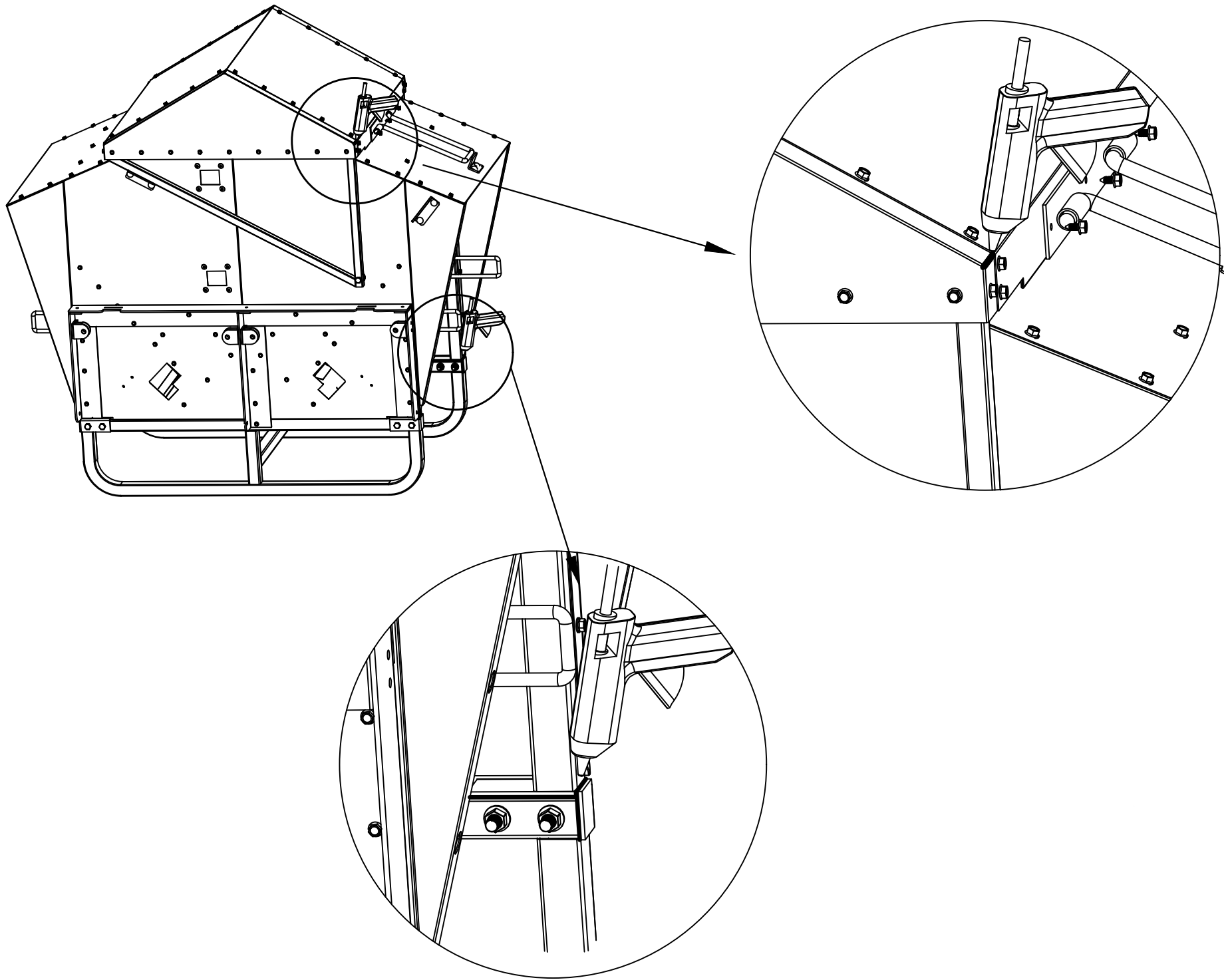
500L-22

N1x8 

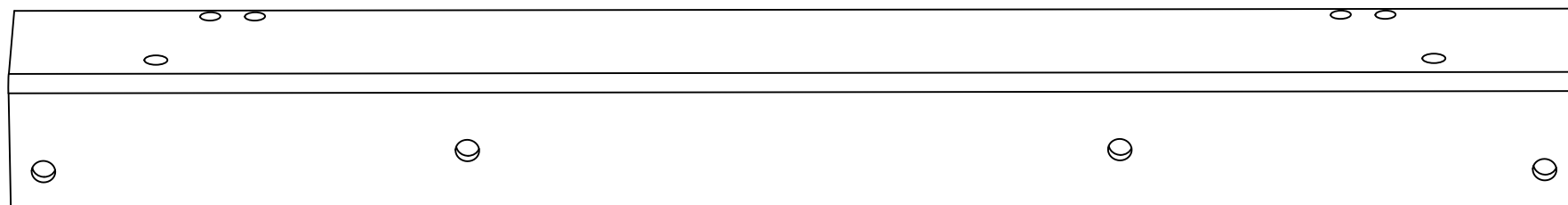
N2x8 

12x M8x35 

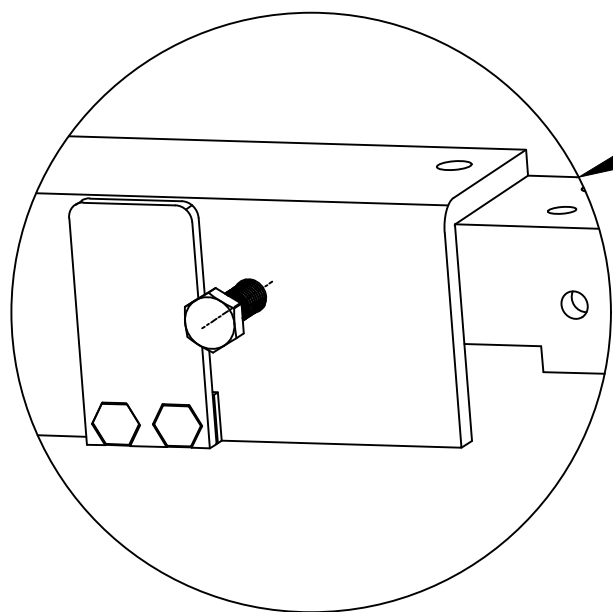
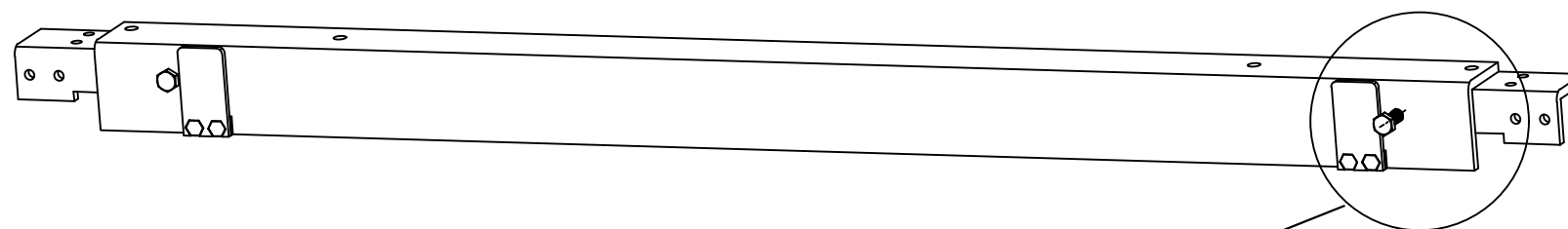
12x M8 



500L-23



500L-24




o1x2 


o2x2 

o3x2 

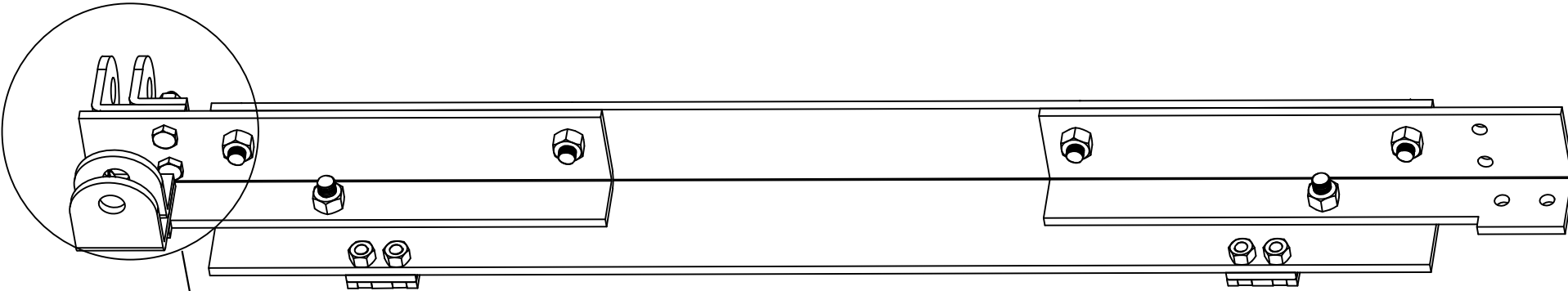
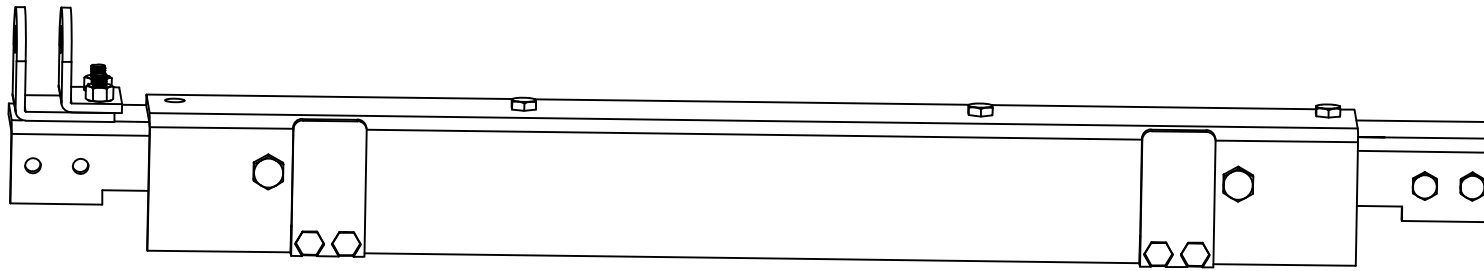
o4x4 

8x M10x30 

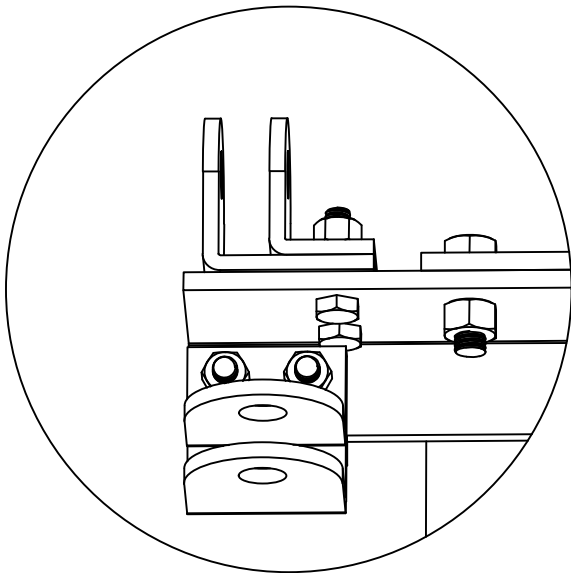
8x M10 

8x M8x35 

8x M8 





500L-25



N1x4 

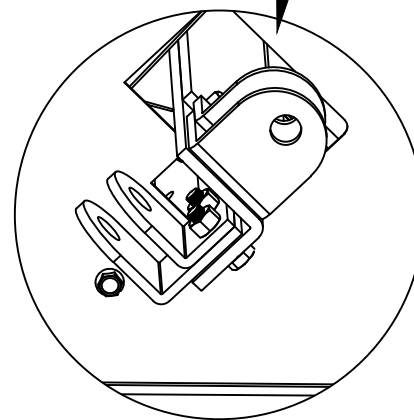
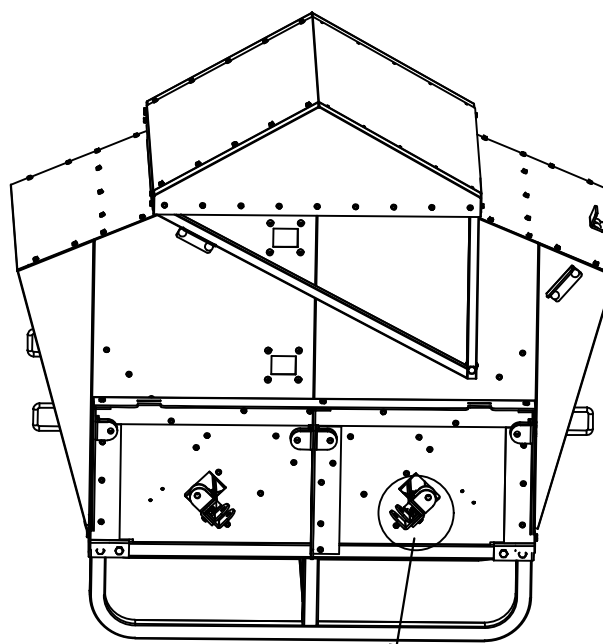
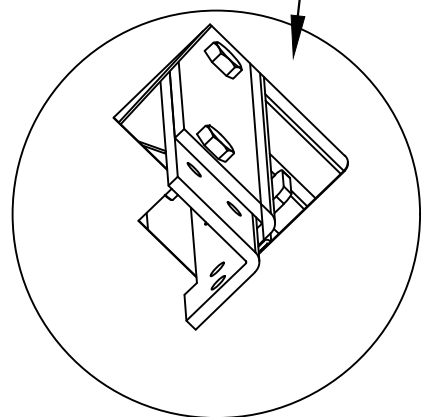
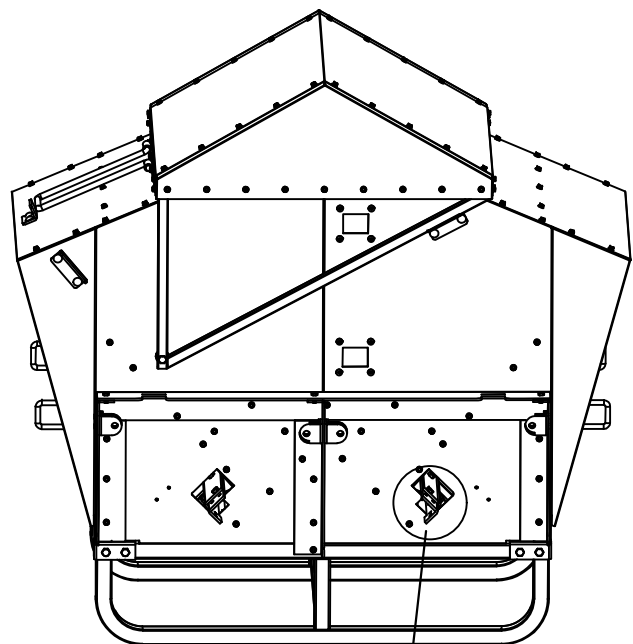
N2x4 

8x M10x30 

8x M10 

8x M8x35 

8x M8 



500L-26

N1x4



N2x4

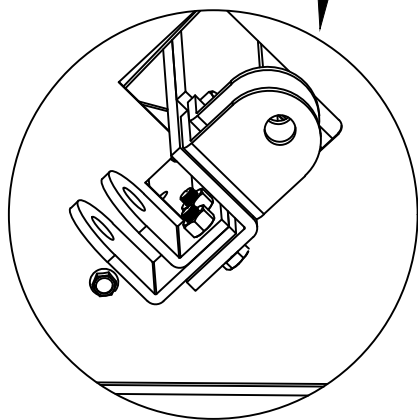
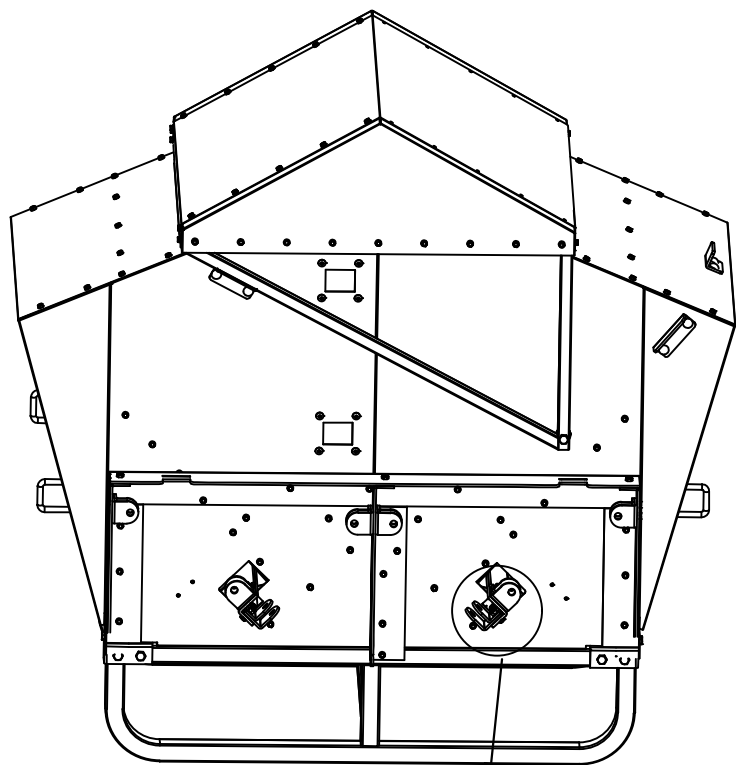


8x M8X35

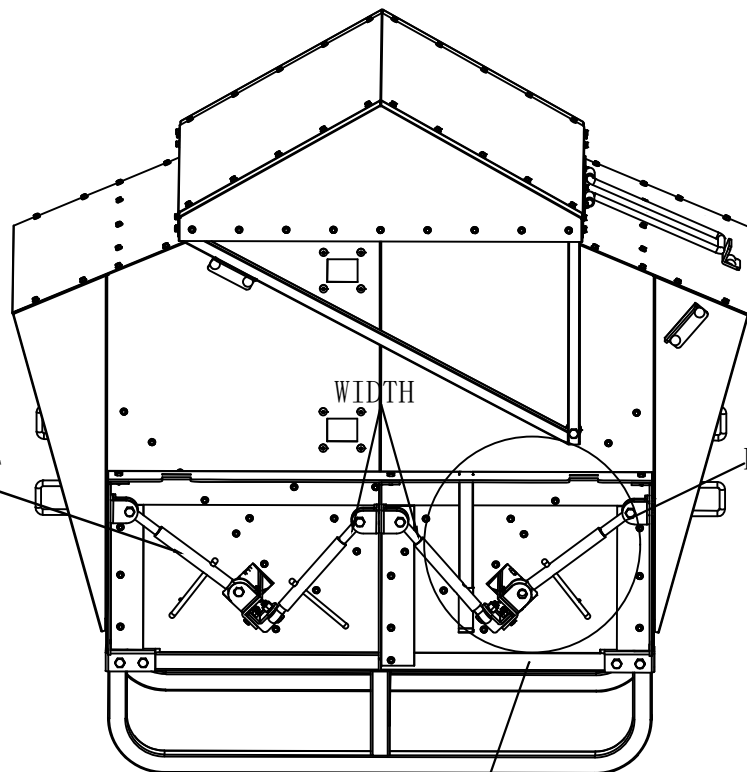


8x M8



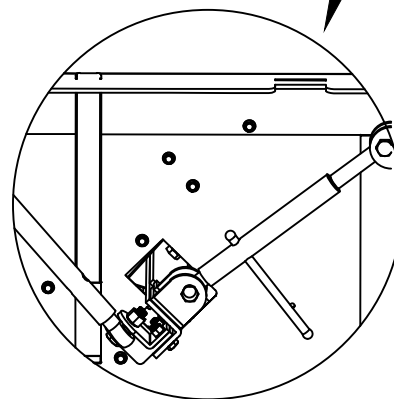


HEIGHT



WIDTH

HEIGHT




500L-27

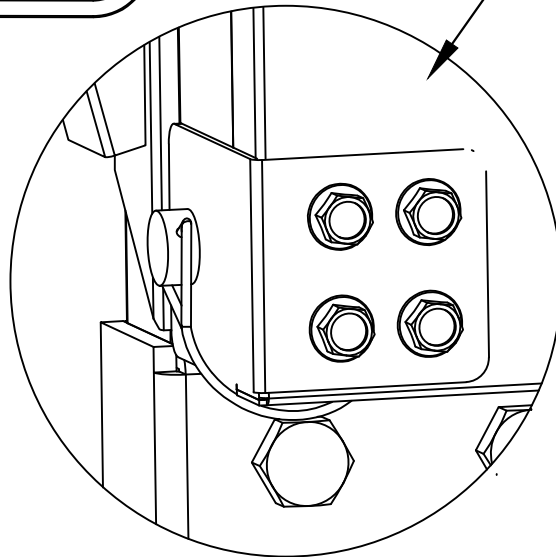
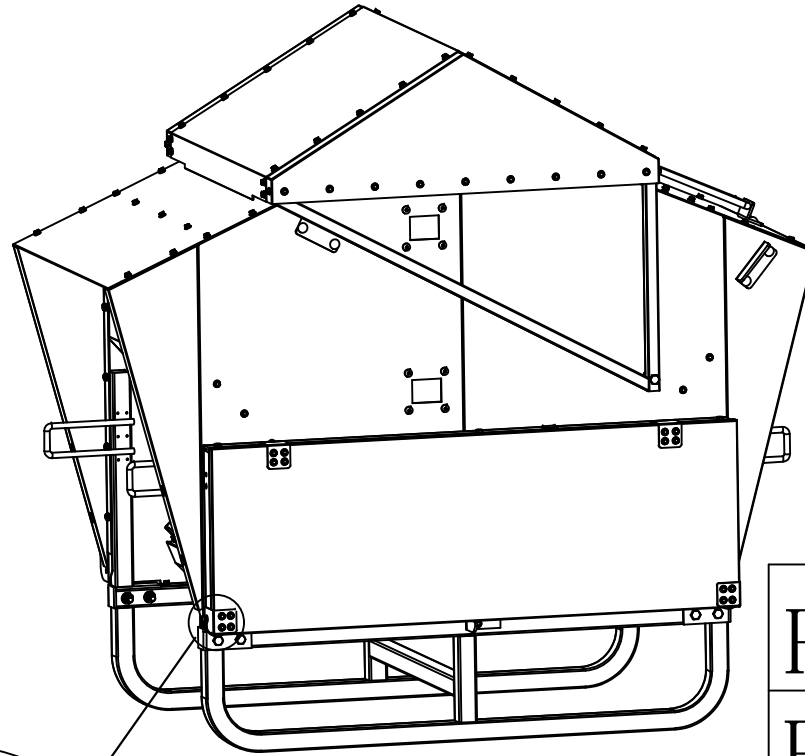
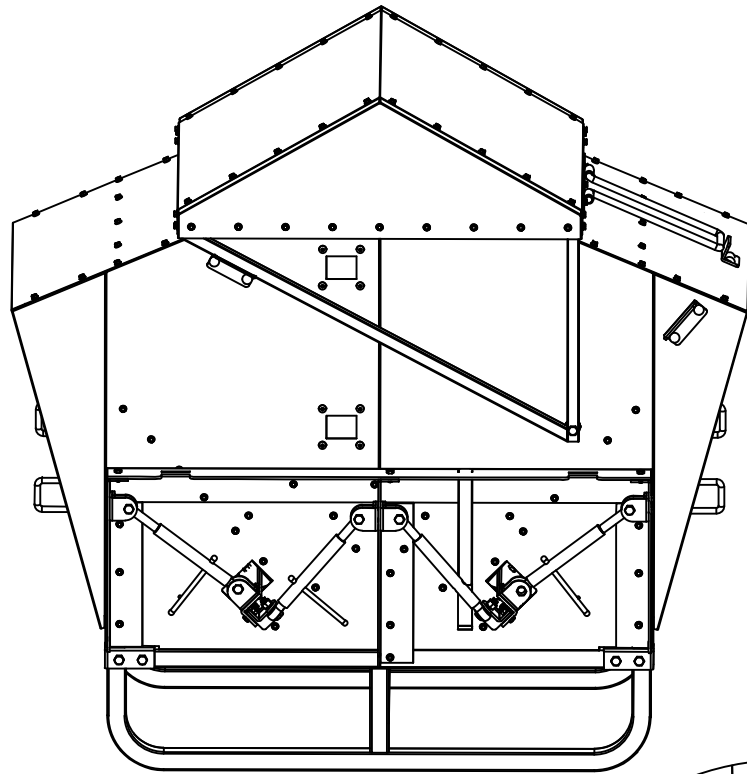
P1x4 

P2x4 

Q1x1 

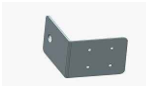
16x M14x45 

16x M14 



500L-28

P3x4



P4x4



P5x2

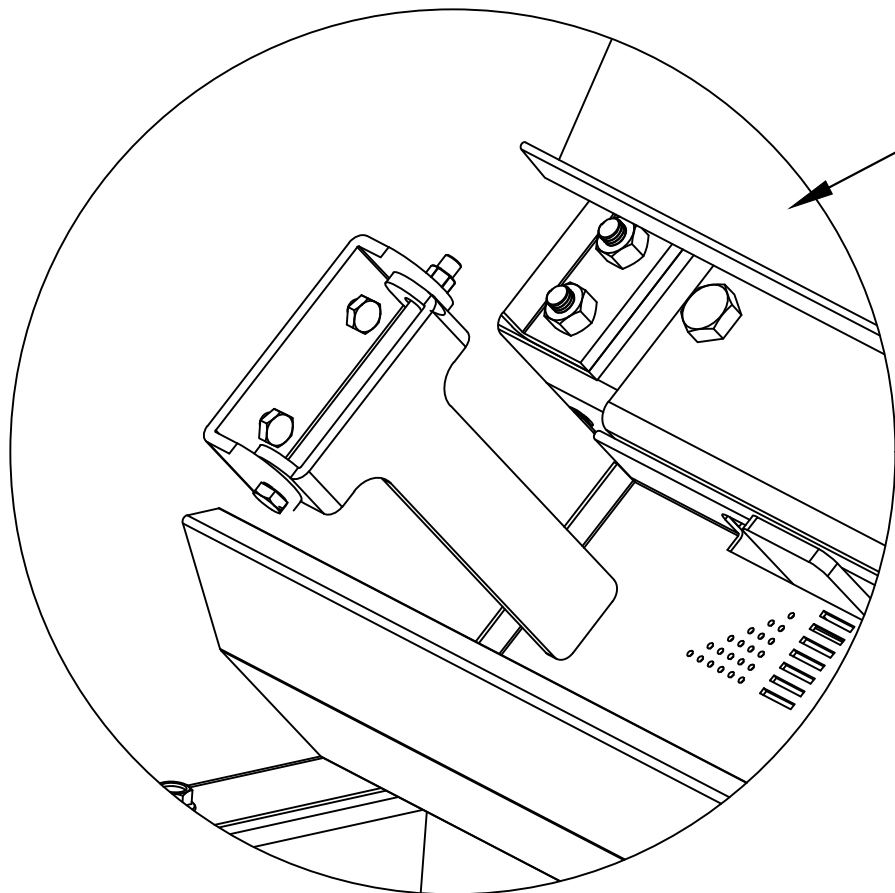
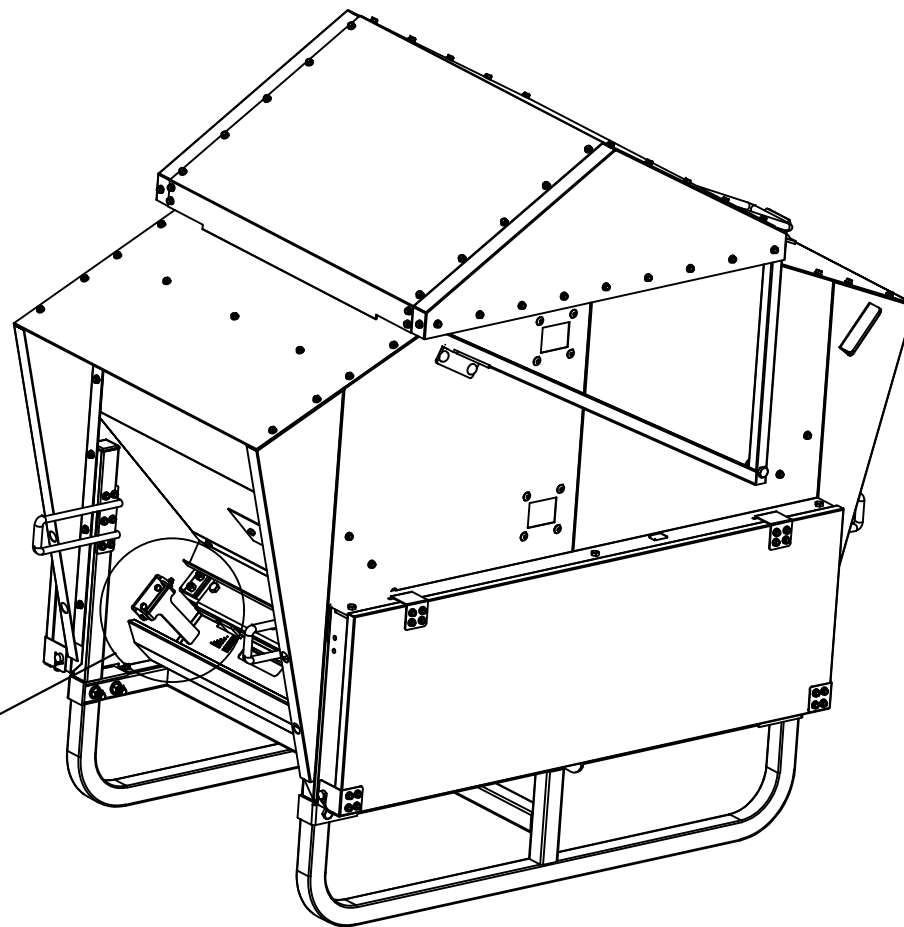


M10Dx4



32xM5.5x20





500L-29

R1x2 

R2x4 

8x M6x16 

8x M16 