

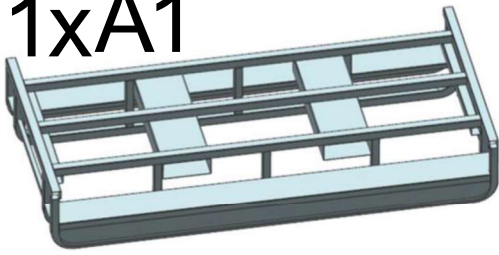


3000L & 4200L ULTIMATE

Assembly Instructions

3000L/4200L

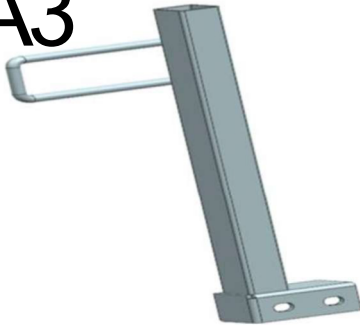
1xA1



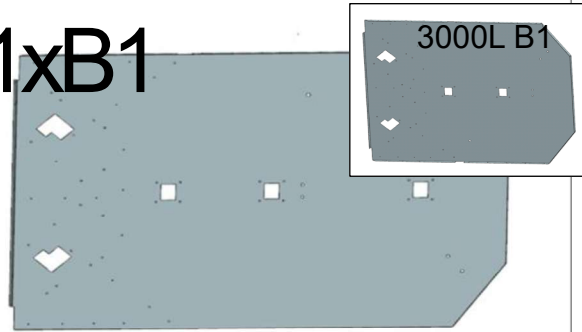
2xA2



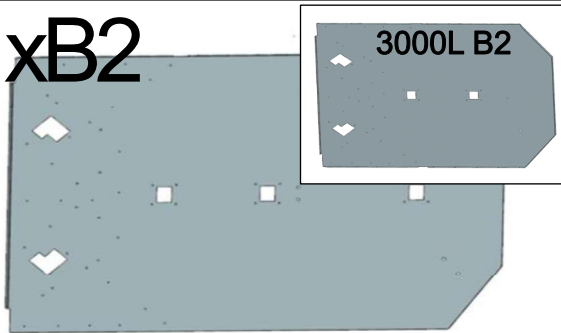
2xA3



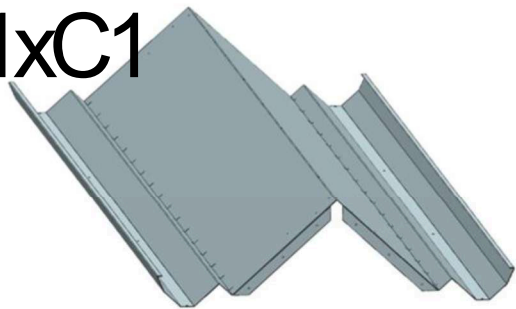
1xB1



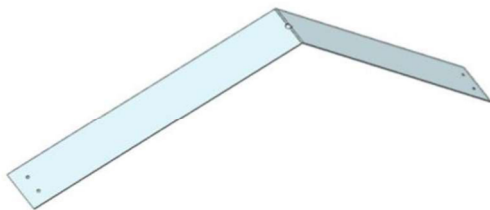
1xB2



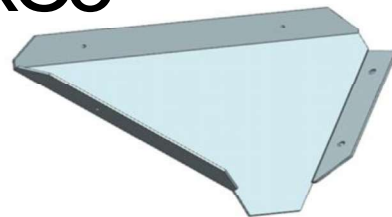
1xC1



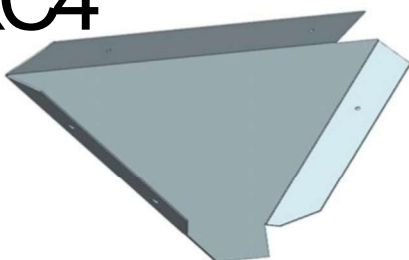
7xC2



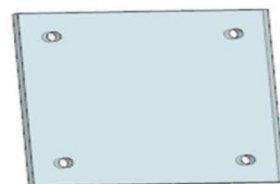
2xC3

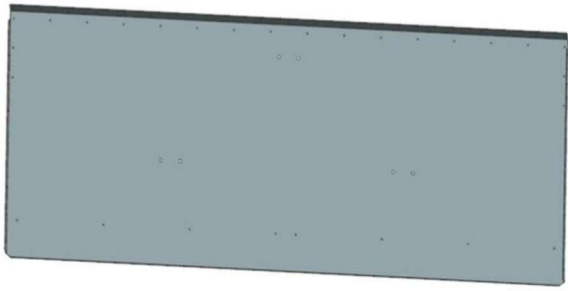


2xC4



6xD1

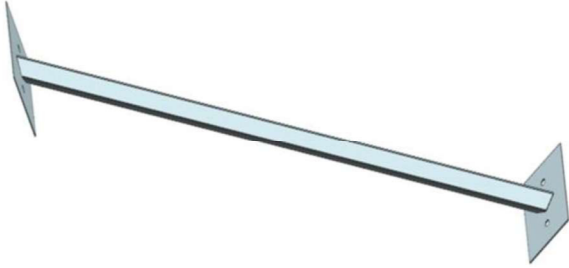




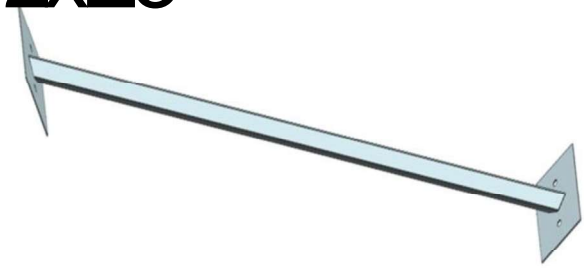
1xE1



1xE2



2xE3



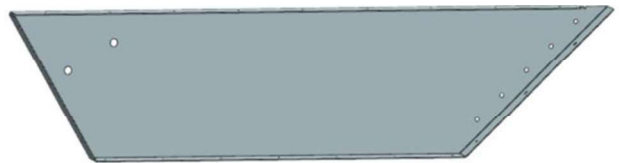
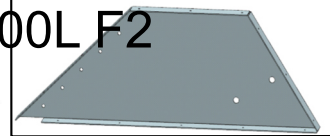
1xF1

3000L F1



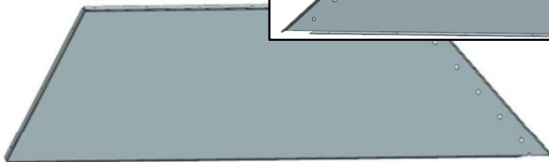
1xF2

3000L F2



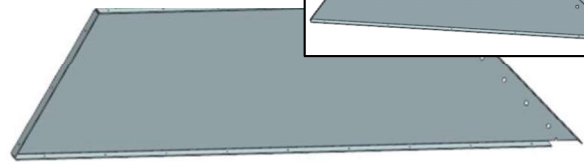
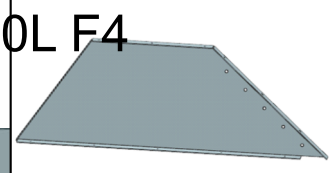
1xF3

3000L F3

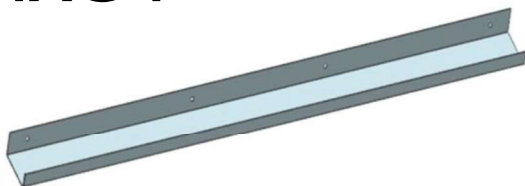


1xF4

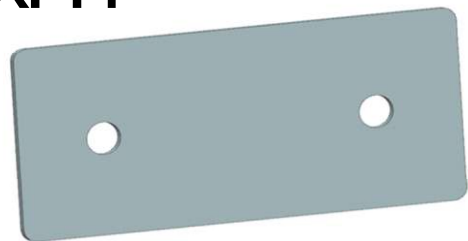
3000L F4



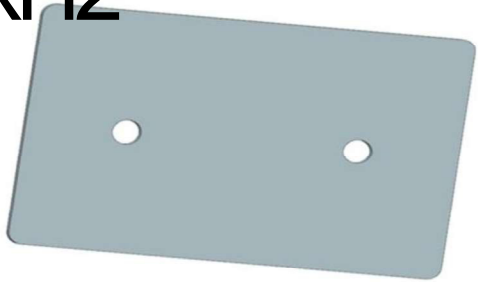
4xG1



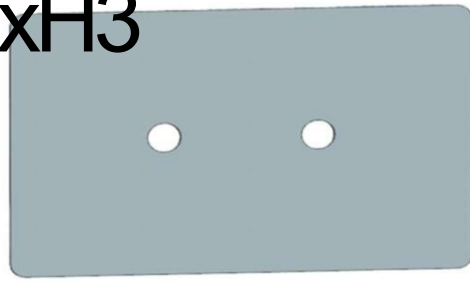
2xH1



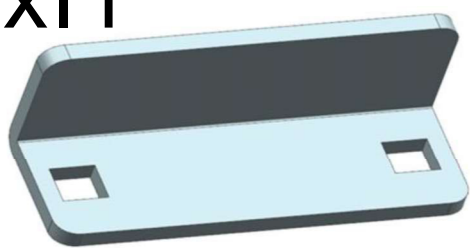
8xH2



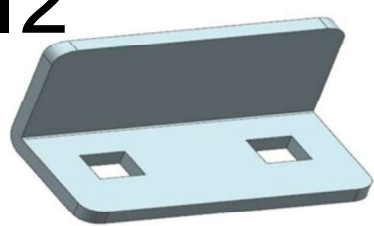
2xH3



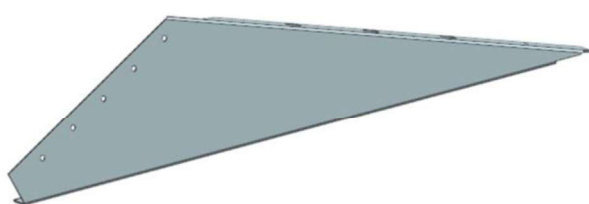
4xI1



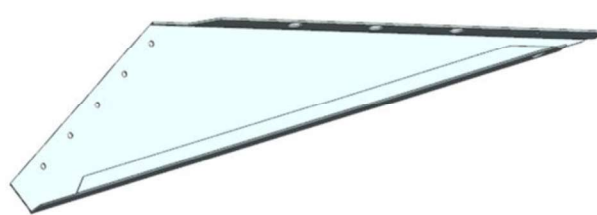
2xI2



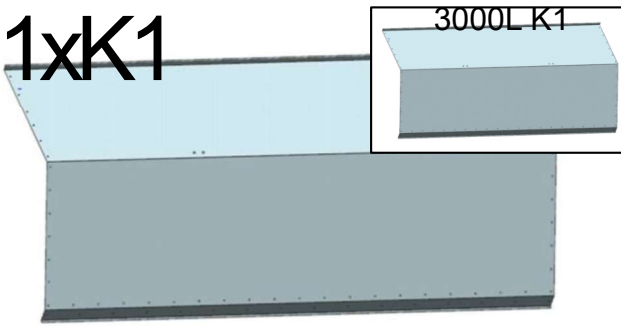
2xJ1



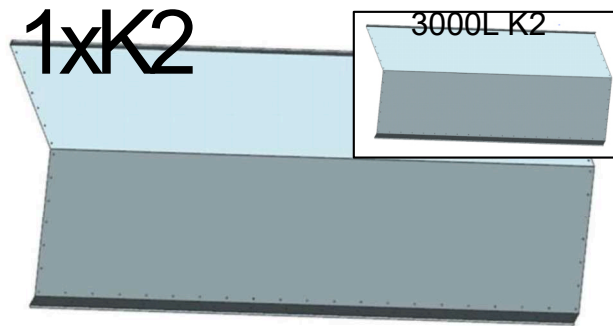
2xJ2



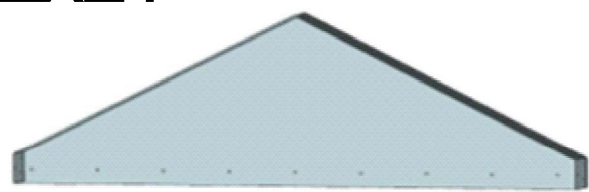
1xK1



1xK2



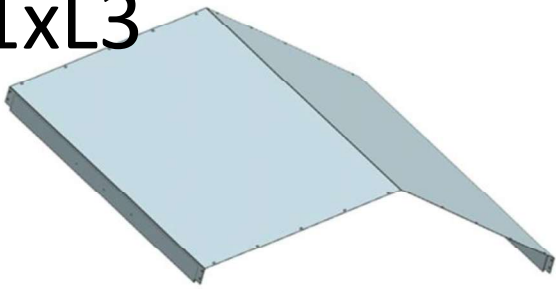
2xL1



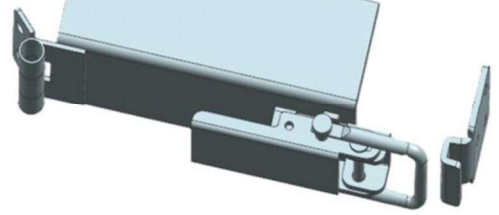
2xL2



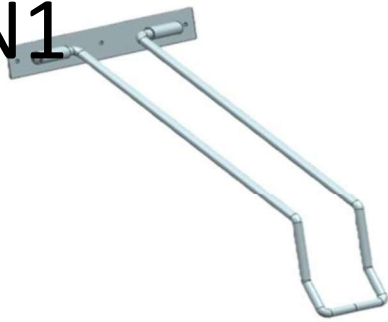
1xL3



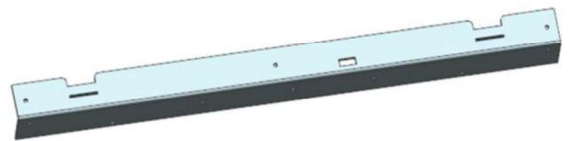
1xM1



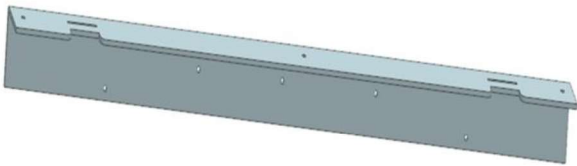
2xN1



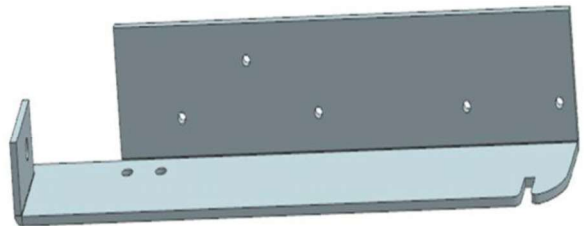
1xO1



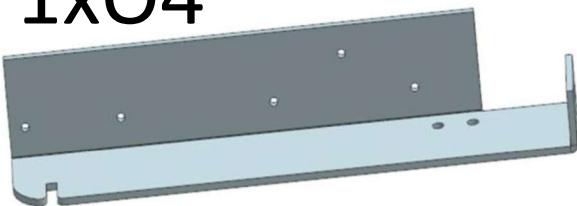
1xO2



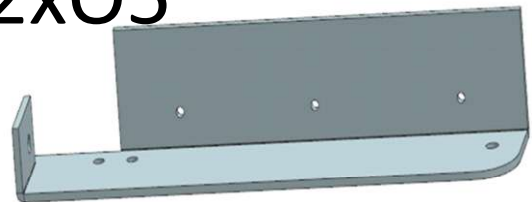
1xO3



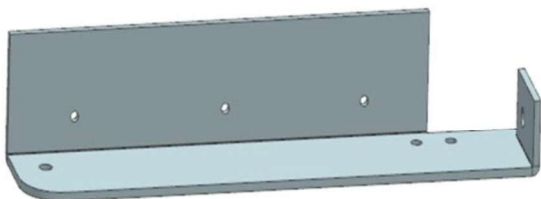
1xO4



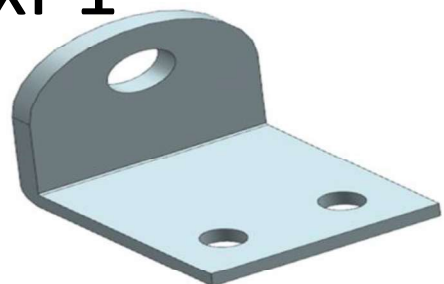
2xO5



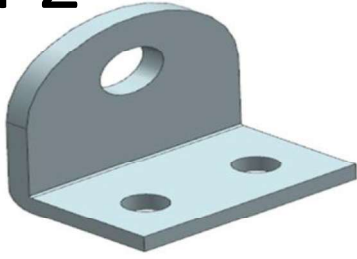
2xO6



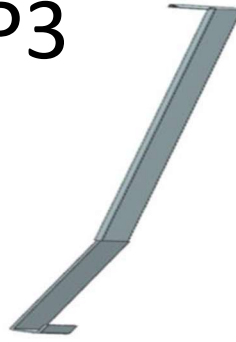
16xP1



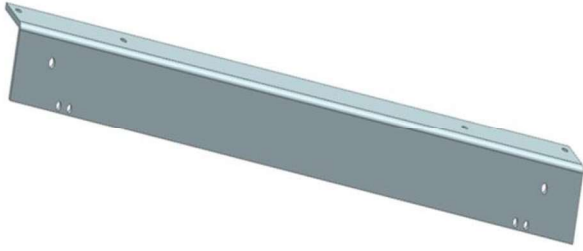
16xP2



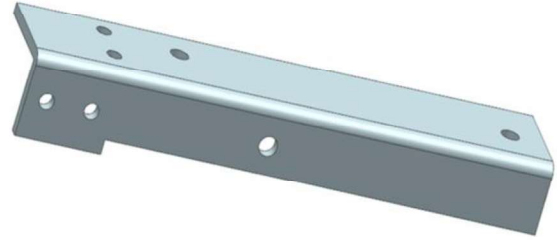
1xP3



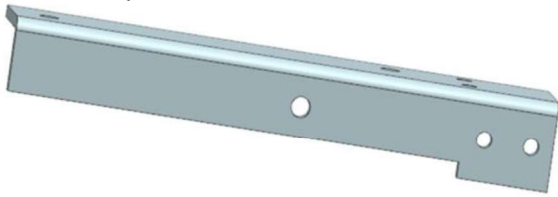
2xQ1



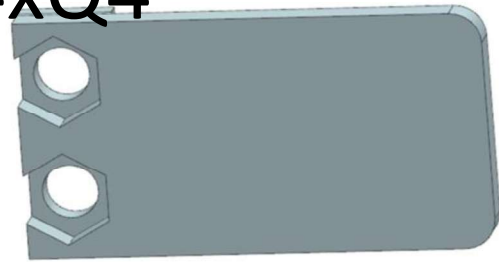
2xQ2



2xQ3



4xQ4



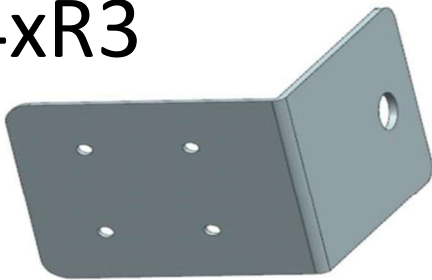
4xR1



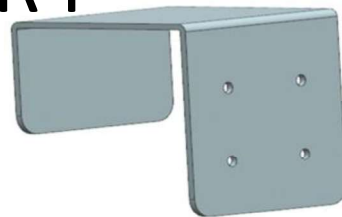
4xR2

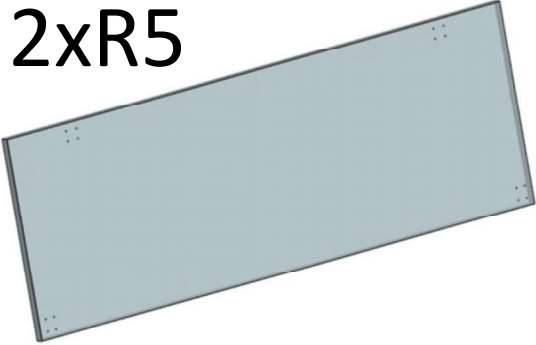
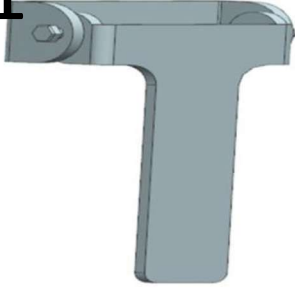
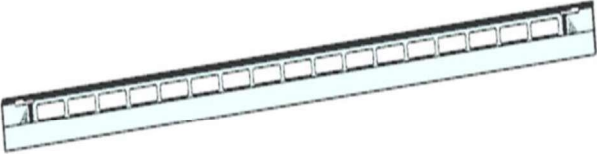
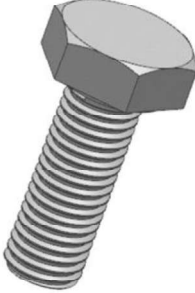
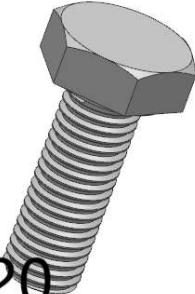
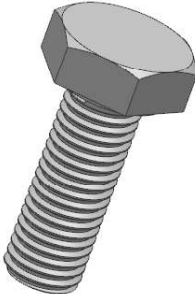


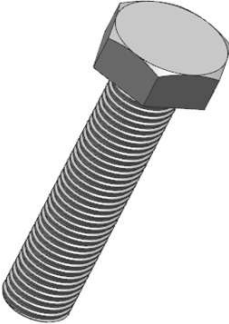




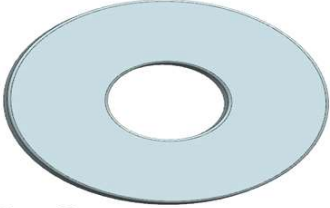
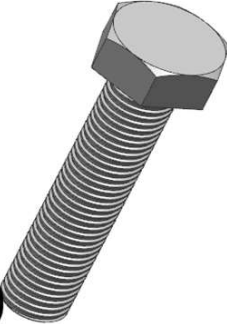

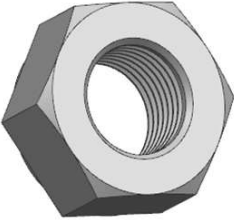
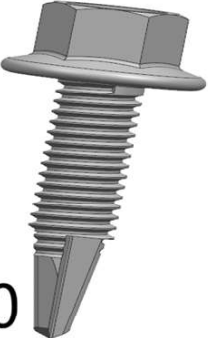
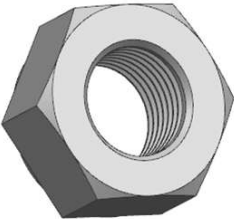
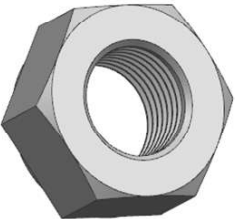
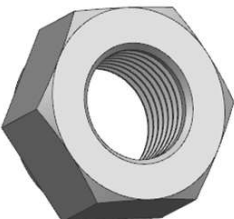
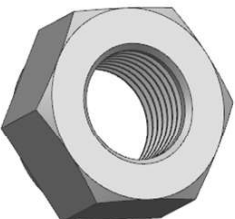
4xR3



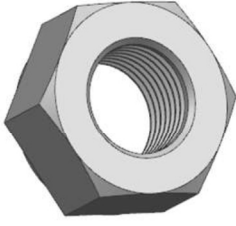
4xR4



<p>2xR5</p> 	<p>4xS1</p> 
<p>2xS2</p> 	<p>16x</p>  <p>M14x45</p>
<p>12x</p>  <p>SS M8x20</p>	<p>6x</p>  <p>M8x20</p>
<p>24x</p>  <p>M6x16</p>	<p>4x</p>  <p>M8x20</p>
<p>28x</p>  <p>M8x35</p>	<p>2x</p>  <p>M12x50</p>

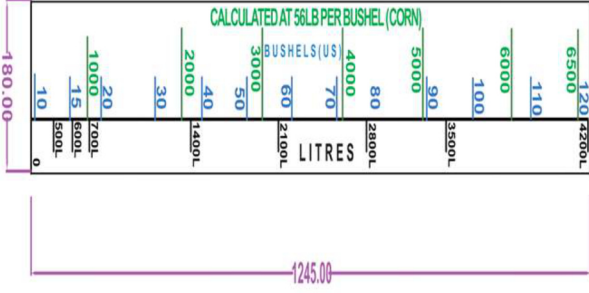
<p>8x</p>  <p>M12x70</p>	<p>14x</p>  <p>12x32x2</p>
<p>12x</p>  <p>M10x30</p>	<p>12x</p>  <p>M10x25</p>
<p>10x</p>  <p>M12</p>	<p>480x</p>  <p>M5.5x20</p>
<p>38x</p>  <p>M8</p>	<p>12x</p>  <p>SS M8</p>
<p>24x</p>  <p>M10</p>	<p>24x</p>  <p>M6</p>

16x



M14

1x CS



1x CT

ESTIMATED QUINCES OF FEED AVAILABLE DAILY FOR SHEEP AND GOATS

HEIGHT INCREMENT	HEIGHT INCREMENT					
	2	3	4	5	6	
2	5.6	7.1	8.7	12.3	13.8	
3	7.4	9.2	11.3	14.1	15.9	
4	9.2	10.9	12.7	15.9	17.6	
5	13.8	15.2	16.6	21.2	24.0	
6	17.6	21.2	24.7	26.5	28.2	

ESTIMATED POUNDS OF FEED AVAILABLE DAILY FOR CATTLE

HEIGHT INCREMENT	HEIGHT INCREMENT					
	2	3	4	5	6	
4	3.3	5.5	7.7	8.8	11.0	
5	5.5	7.7	9.9	11.0	13.2	
6	8.8	11.0	13.2	15.4	17.6	
7	13.2	16.5	18.7	20.9	23.1	

FEEDER CAPACITY:

1500 litres = 33.81 Bushels
 2500 litres = 55.68 Bushels
 4000 litres = 89.18 Bushels

To calculate an accurate pound capacity of the feed in the feeder:

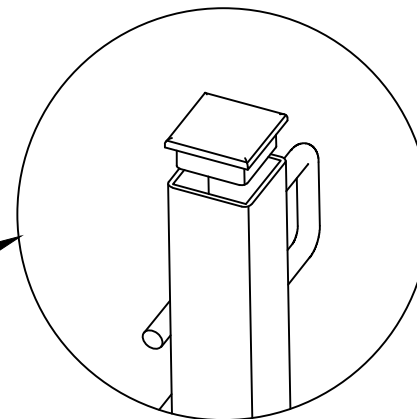
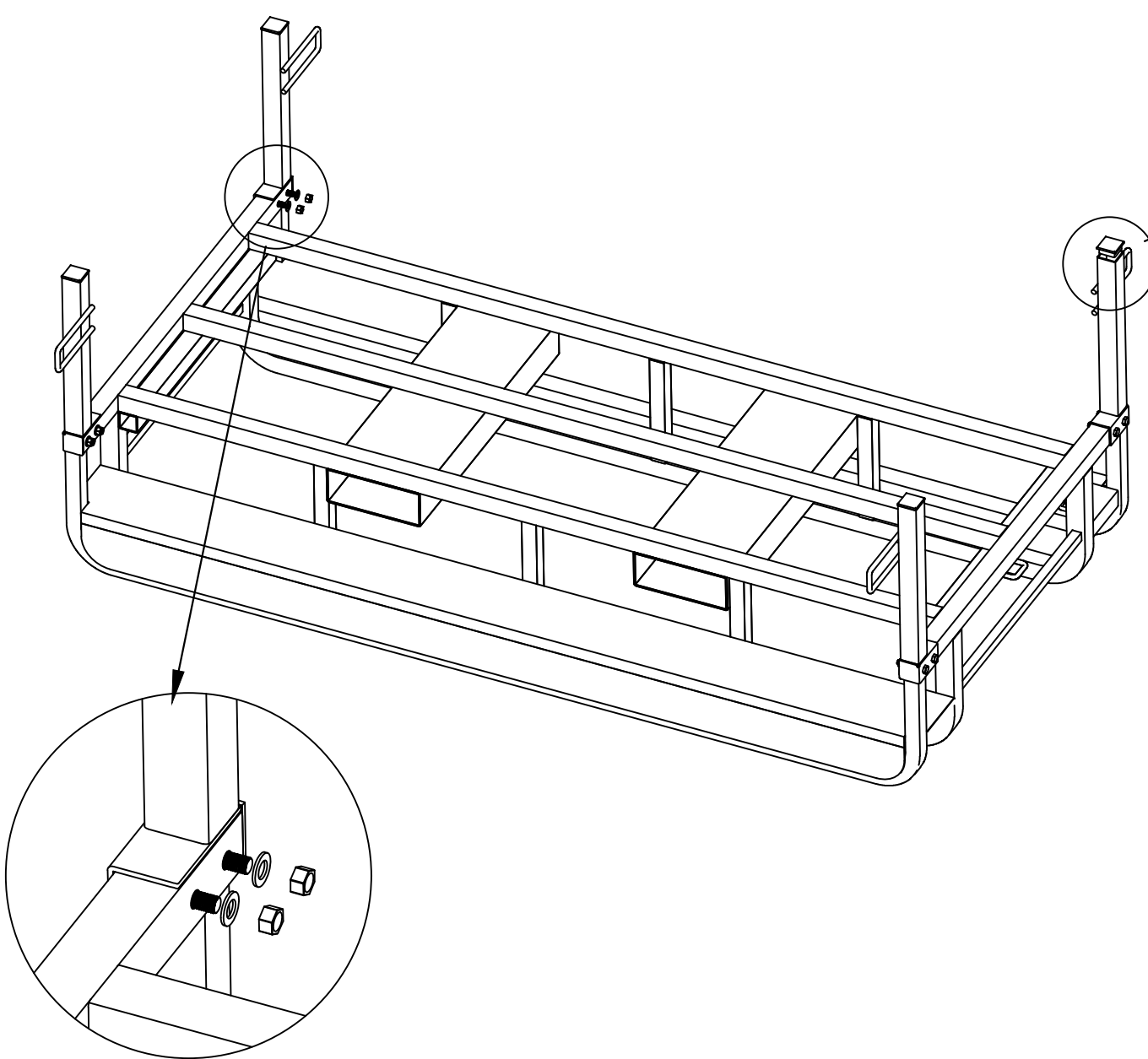
- Pounds per bushel of the feed multiplied by the feeder capacity
- For example if the pound per bushel weight was 56lb/bushel, the capacity of a 2500L Feeder would be:
 $2500 \times 56 = 140,000$

DISCLAIMER: All information is a guide only. Various factors change the feeding rates therefore no responsibility is accepted by the supplier or seller.

1x BU


READ BEFORE USING YOUR UNIVERSAL FEEDER

- The calibration table is an initial guide of daily intake for livestock. The age and breed of livestock will vary rates.
- Introduce cereal grains with caution to allow livestock to adapt and avoid acidosis.
- If possible mix other grains to cereal grains to help avoid the risk of acidosis.
- The feeders are made to be filled and sold to avoid the risk of acidosis.
- When adjusting the feeder allow the height of the stock to be measured. Livestock particularly have shorter legs, so the higher adjustment will result in a higher delivery rate than the table data.
- If unrestricted feeding rates want to be achieved speak to your nearest Universal Feeder dealer about all attachments which increase the trough height.
- The height and width of the feed both have notches for the adjustment. Note that height is when the adjuster is pressed against the base sheet of the feeder. Note that the width represents the width of the feed is completely closed. No measuring spoons are required.
- Locating the feeder away from the main water source makes the feeder more accessible for dry feeders and encourage grazing.
- To test livestock height, width of head & neck is desirable. If only neck is available a calibration good, adding adjuster or extra to the mix will reduce the risk of acidosis if the setting is too high initially.
- The adjuster is only slightly to the right of the feeder. When setting the height of the grain in the feeder, do not move the bolts too much as they will get under the side. This occurs, close the upper side down to stop the flow of grain and open the grain out from underneath the lower side before tightening.
- Over stocking of the feeder will encourage fly feeders.
- For 2500L models a maximum of 150-170 sheep/grain and 25-30 cattle per feeder is recommended.
- For 4000L models a maximum of 250-300 sheep/grain and 50-60 cattle per feeder is recommended.
- Other sources of feed other than the feeder are relevant to stocking rates. The higher stocking rates would only be recommended if the feeder was supplementing other feed.
- There is a volume measurement sticker on the side of the feeder which can be used to monitor the daily intake calibration.




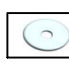
3000L/4200L-01

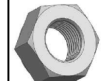
A1x1 


A2x2 

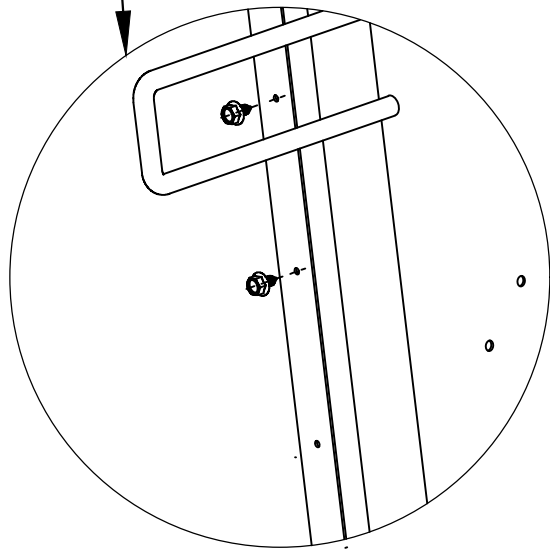
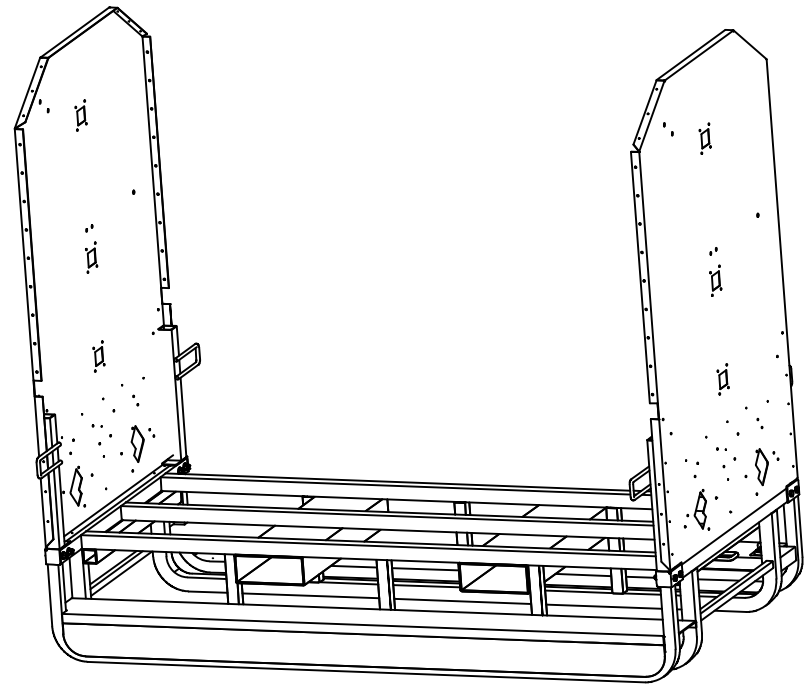
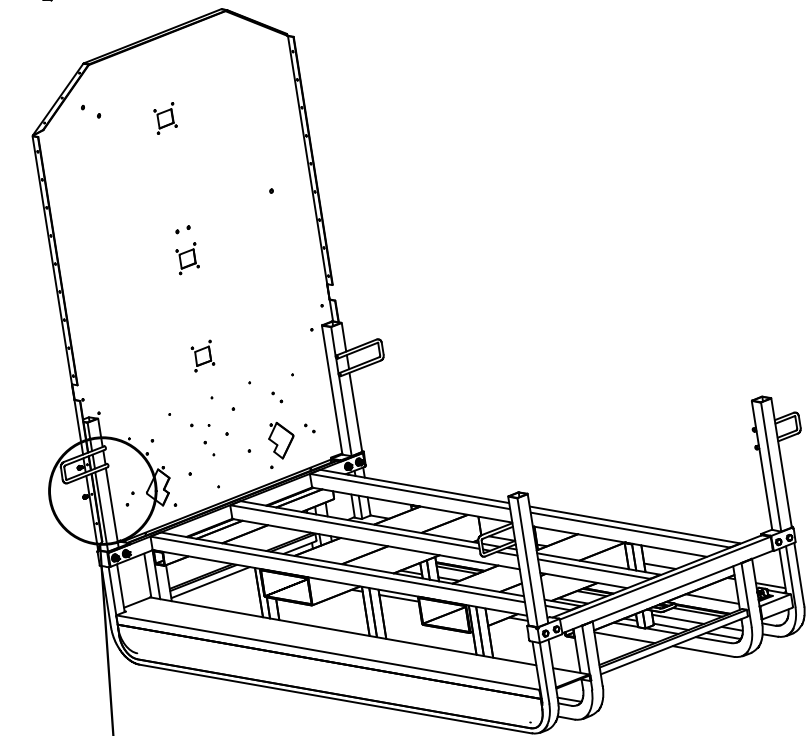
A3x2 

8x M12x70 

8x 32x12x2 

8x M12 

4x 50x50 



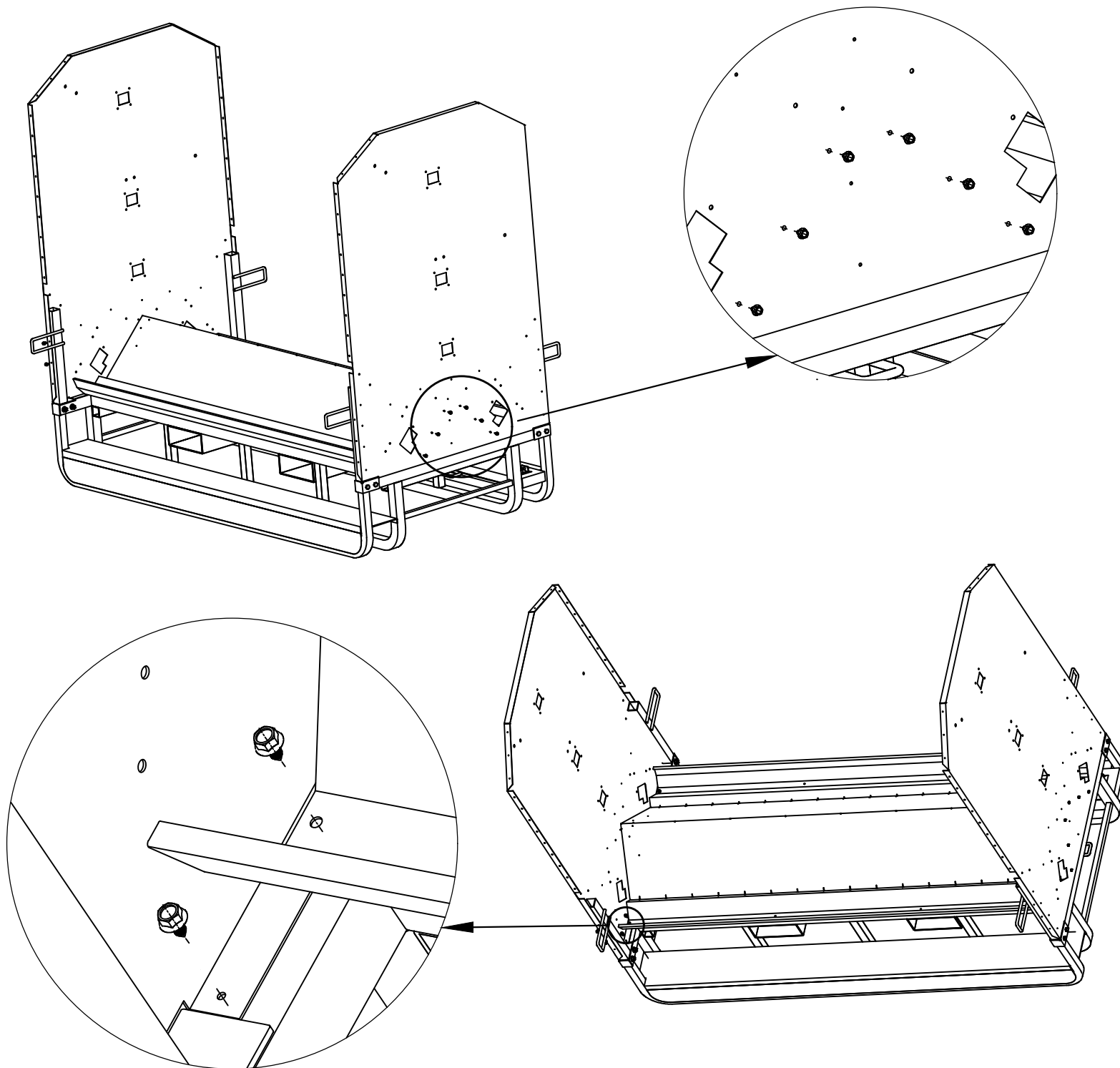
3000L/4200L-02

B1x1 

B2x1 

8x M5.5x20



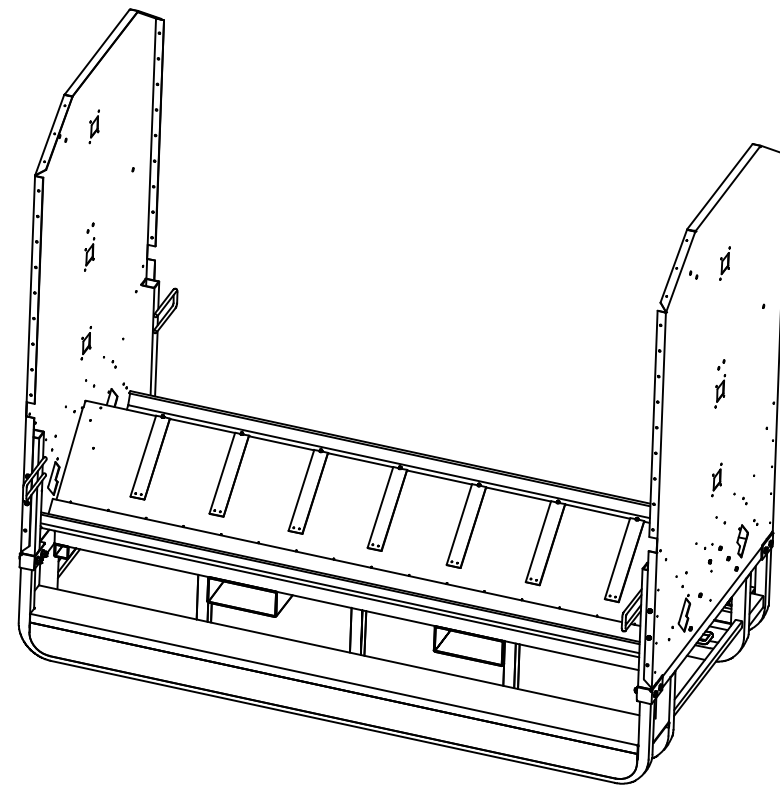
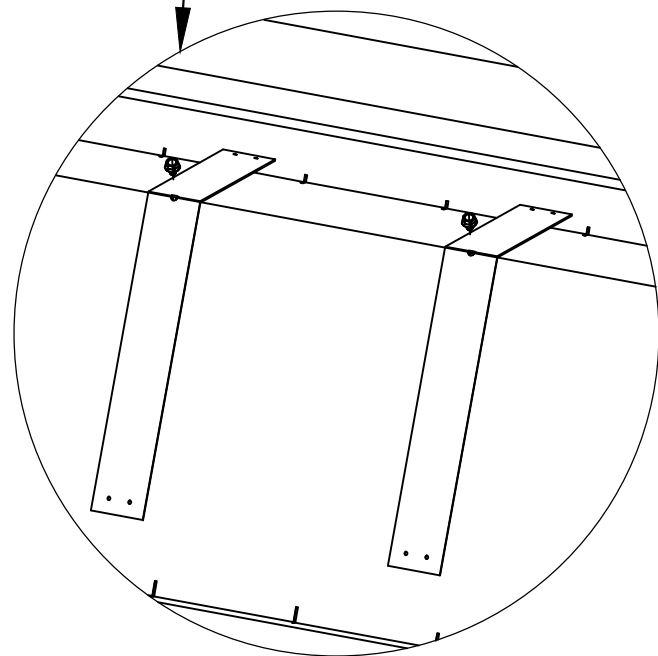
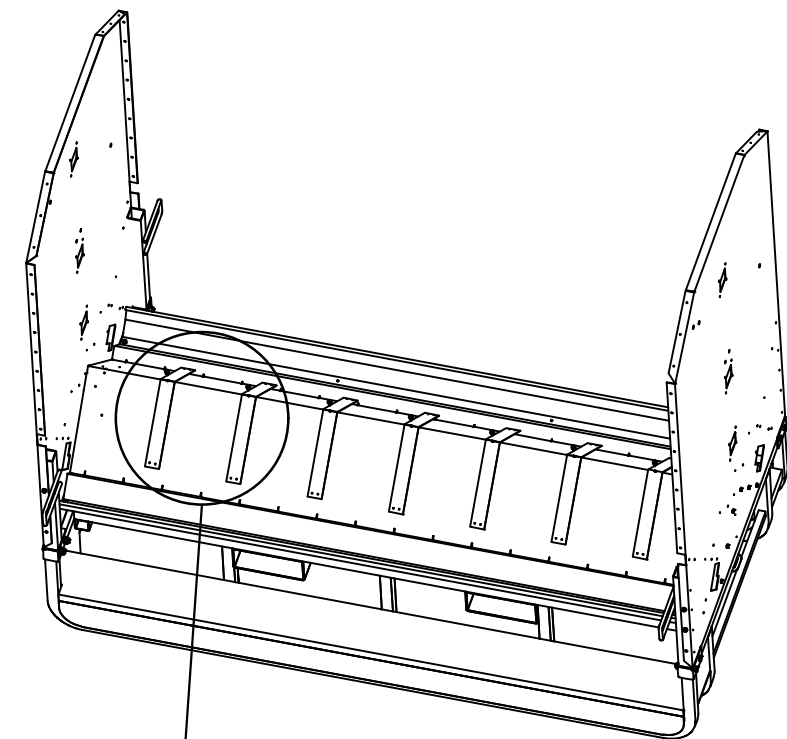


3000L/4200L-03

C1x1 

20x M5.5x20

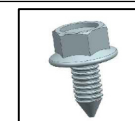


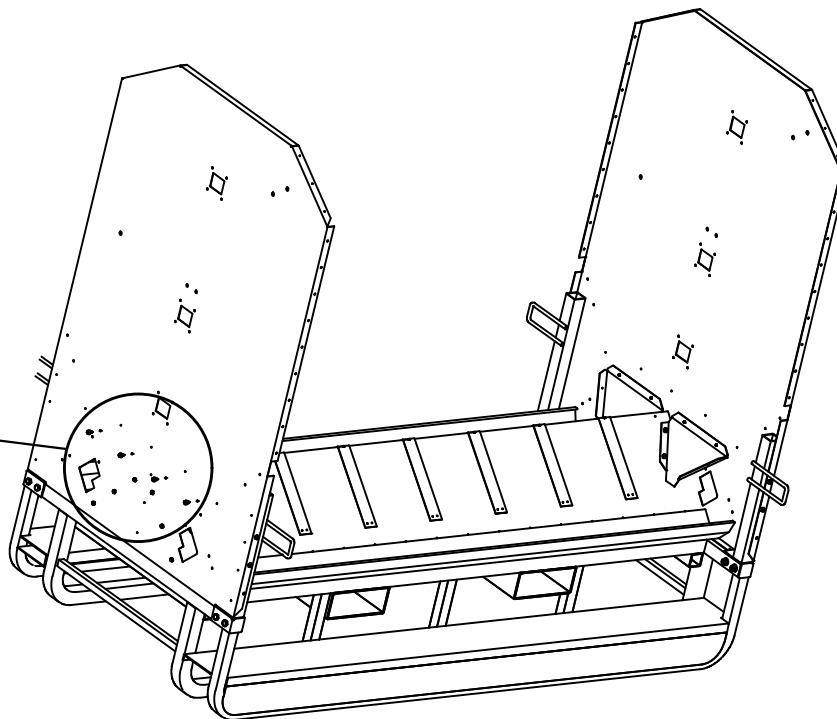
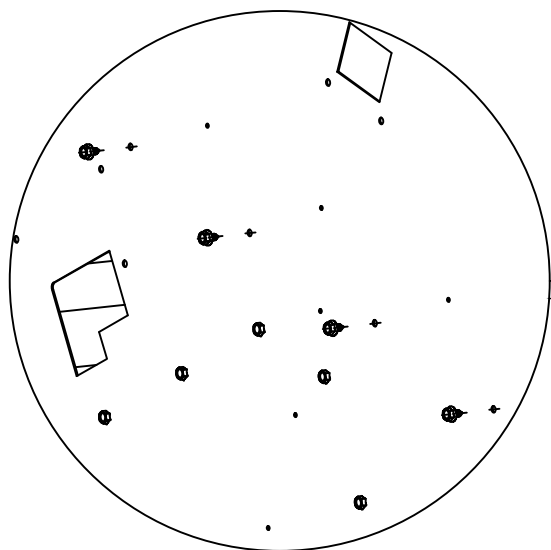
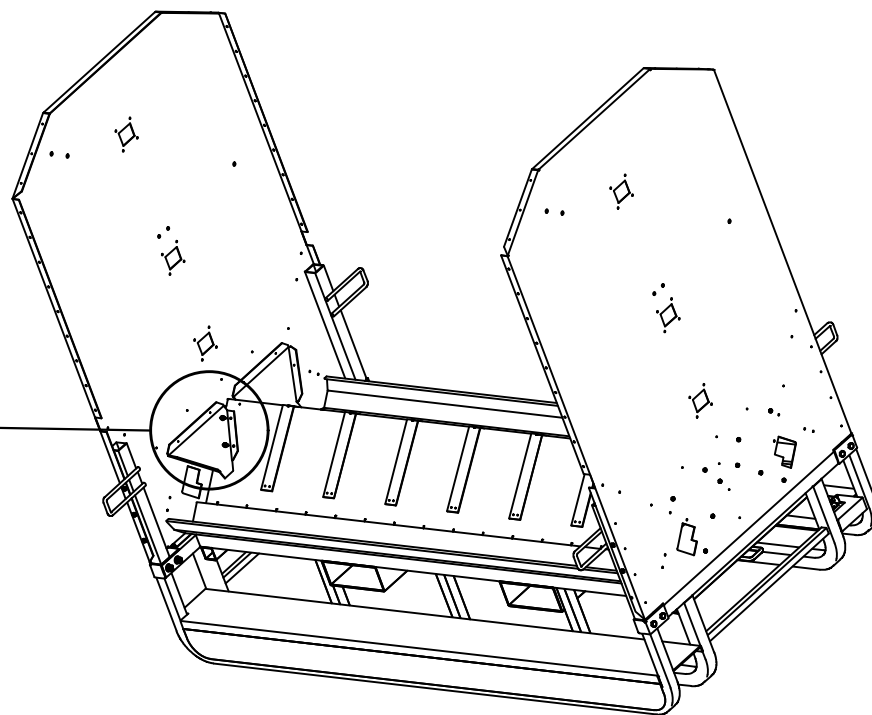
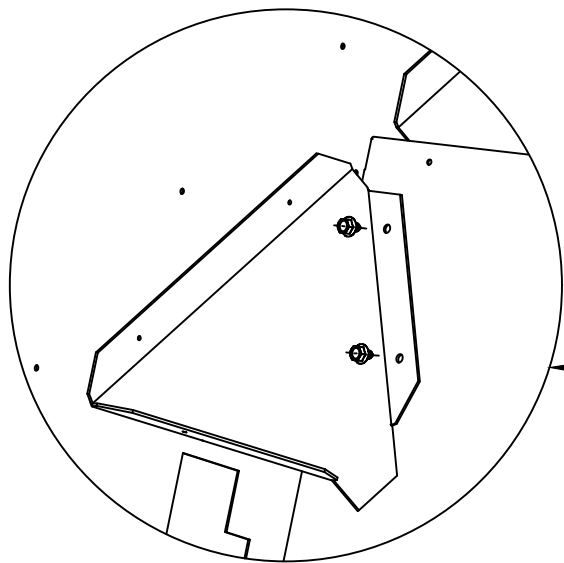


3000L/4200L-04

C2x7 

7x M5.5x20





3000L/4200L-05

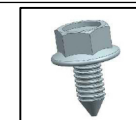
C3x2

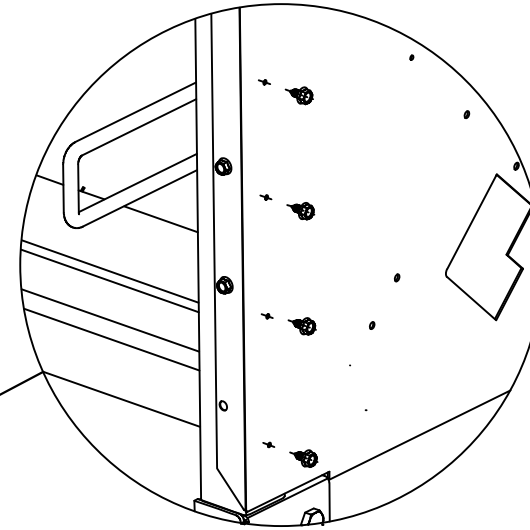
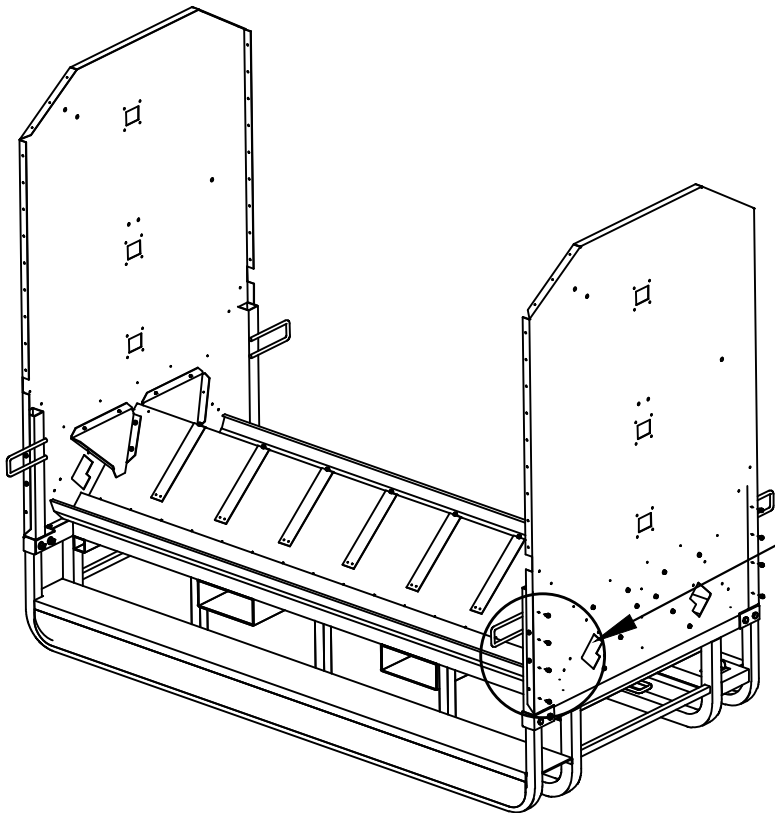
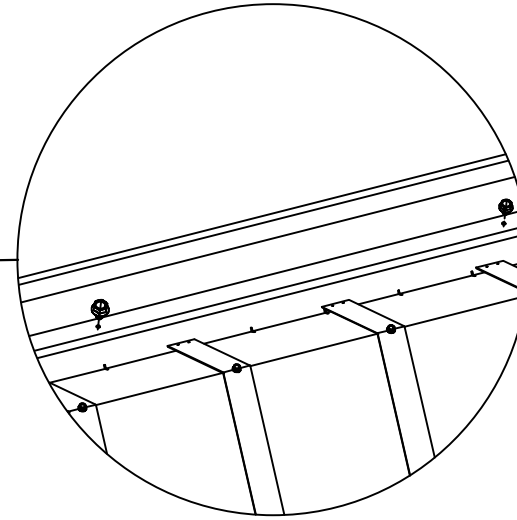
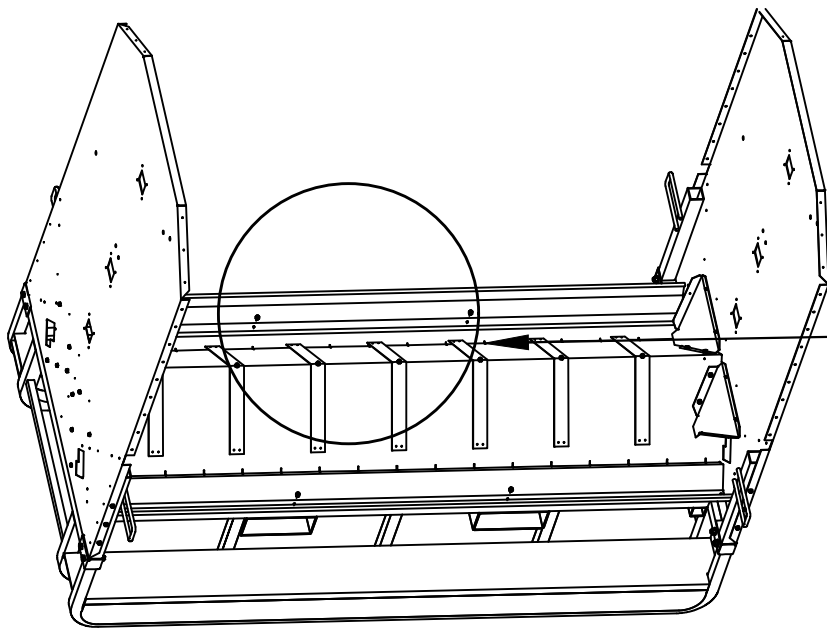


C4x2



16x M5.5x20

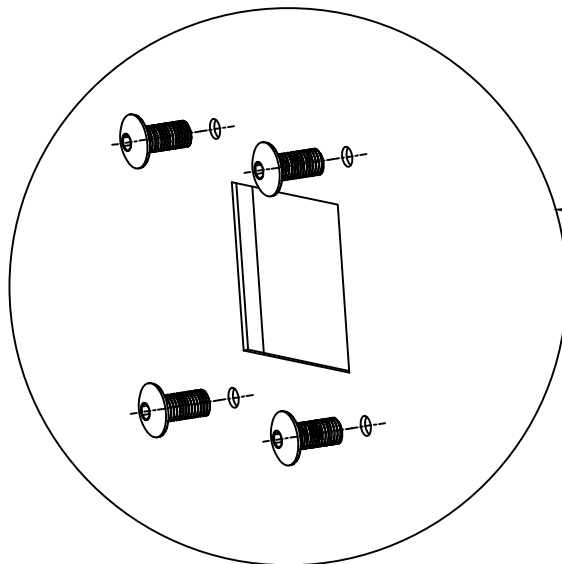
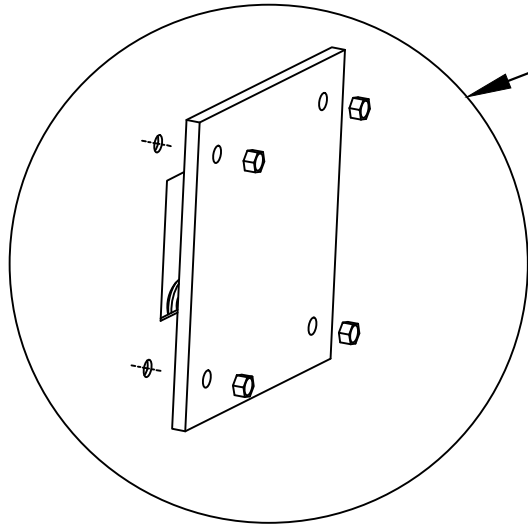
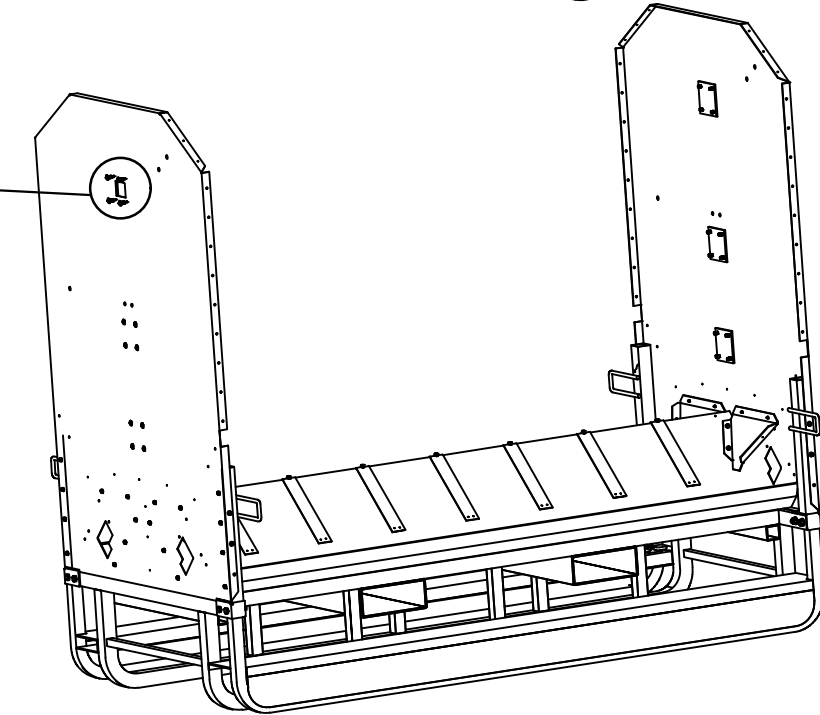
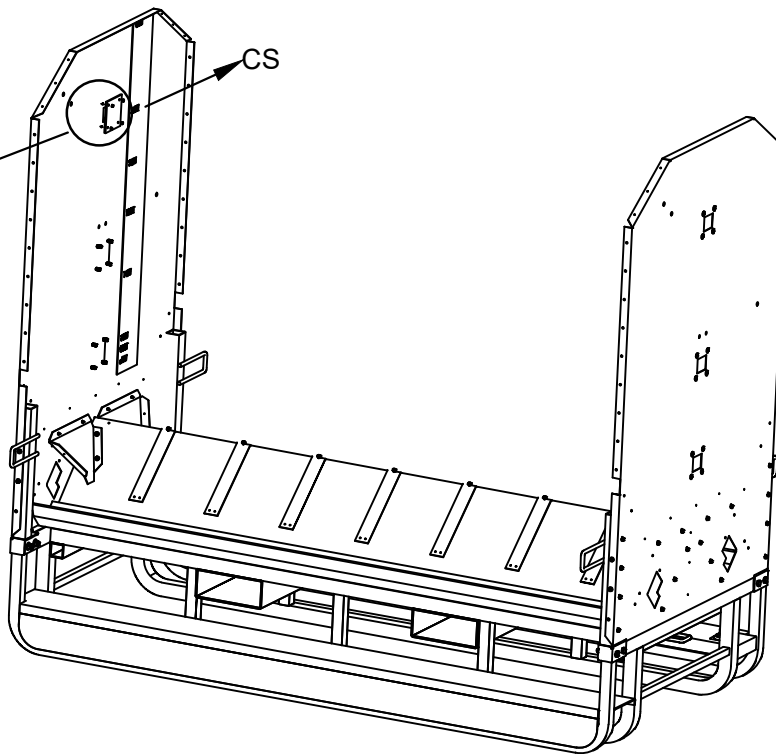




3000L/4200L-06

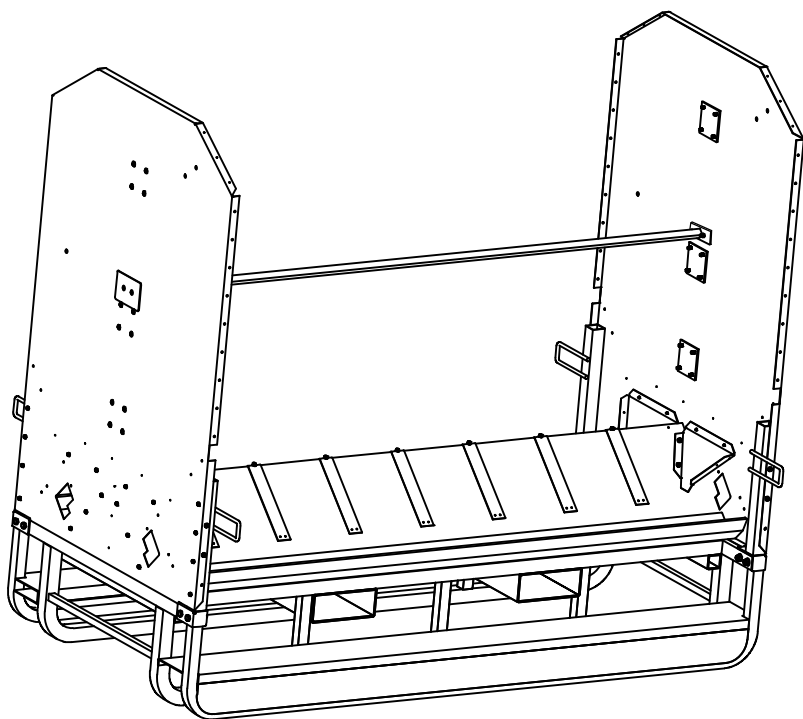
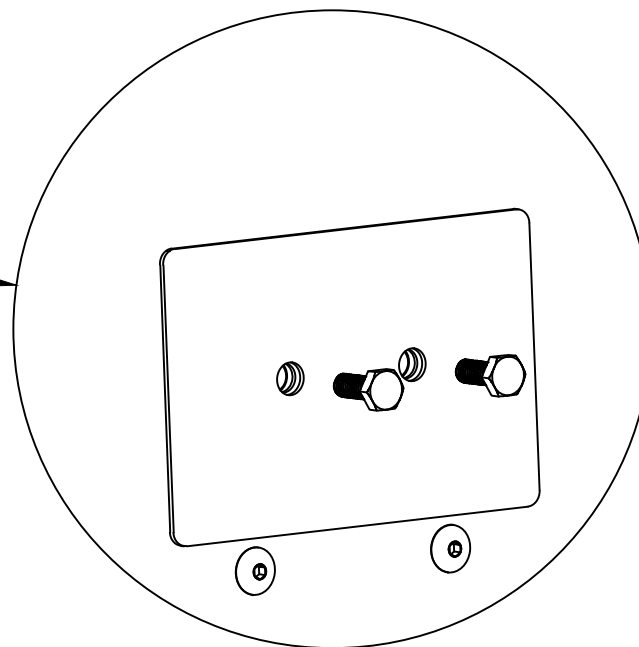
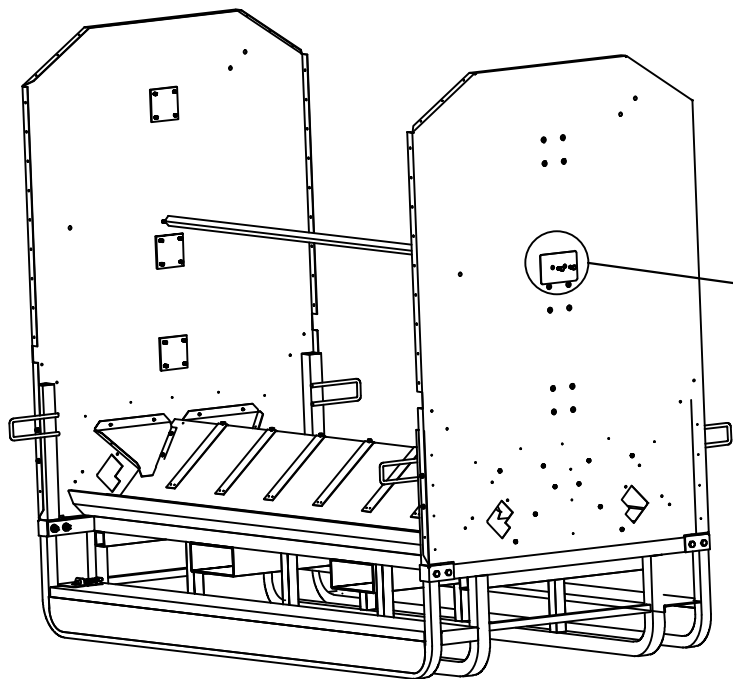
20x M5.5x20





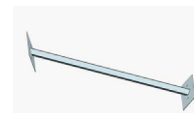
3000L/4200L-07

1xCS	
4200L D1x6 3000L D1x4	
4200L 24x M6x16 3000L 16x M6x16	
4200L 24x M6 3000L 16x M6	



3000L/4200L-08

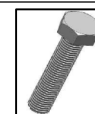
E1x1



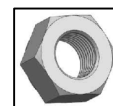
H3x2

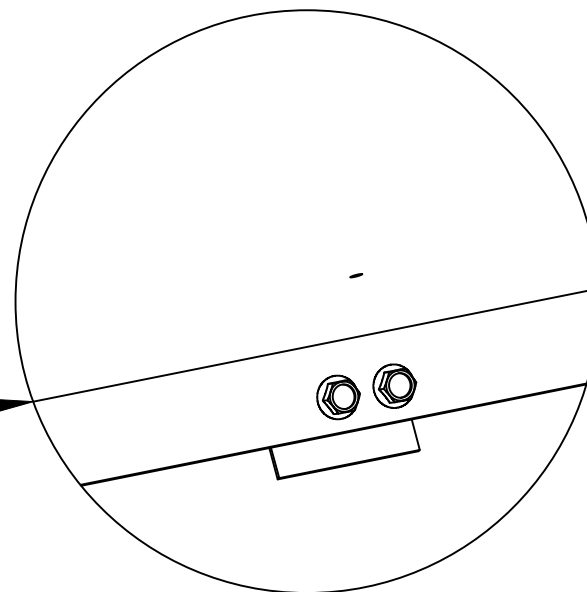
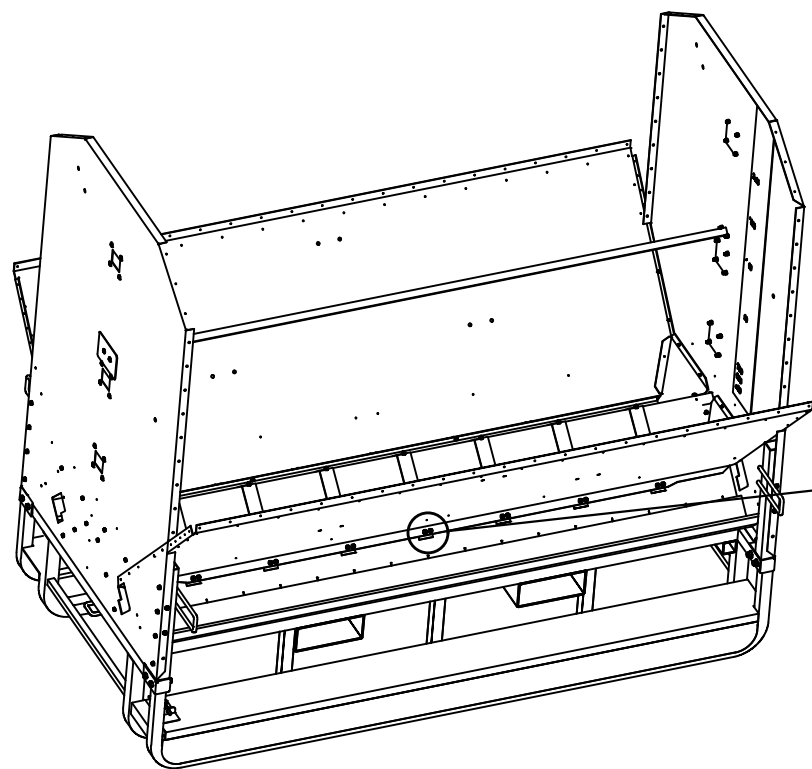
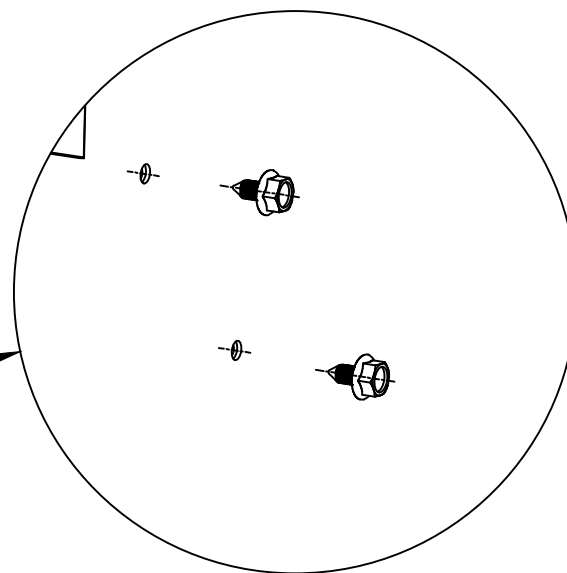
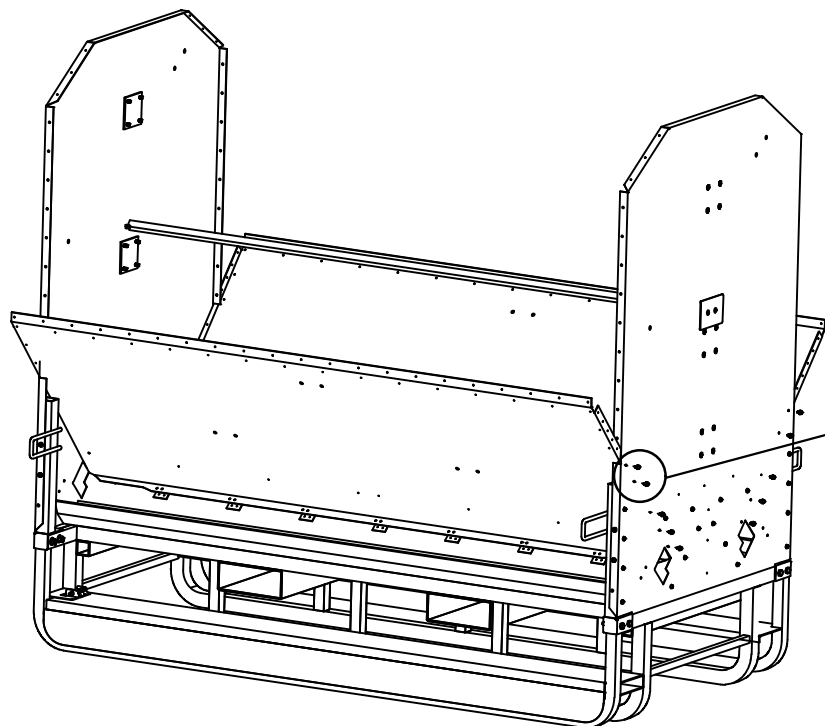


4xSSM8x20



4x SSM8



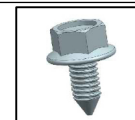


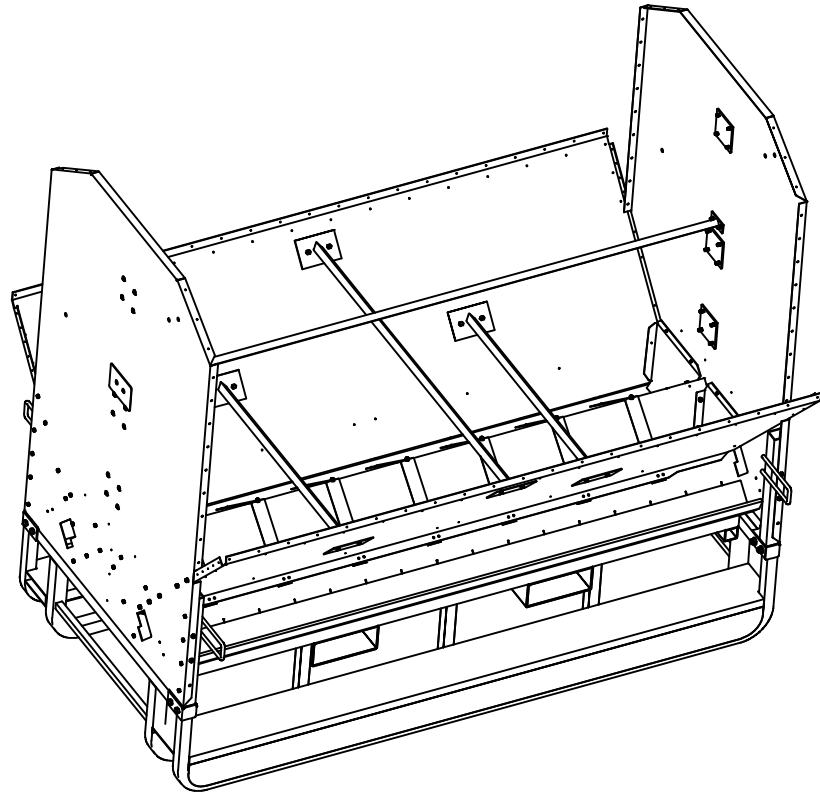
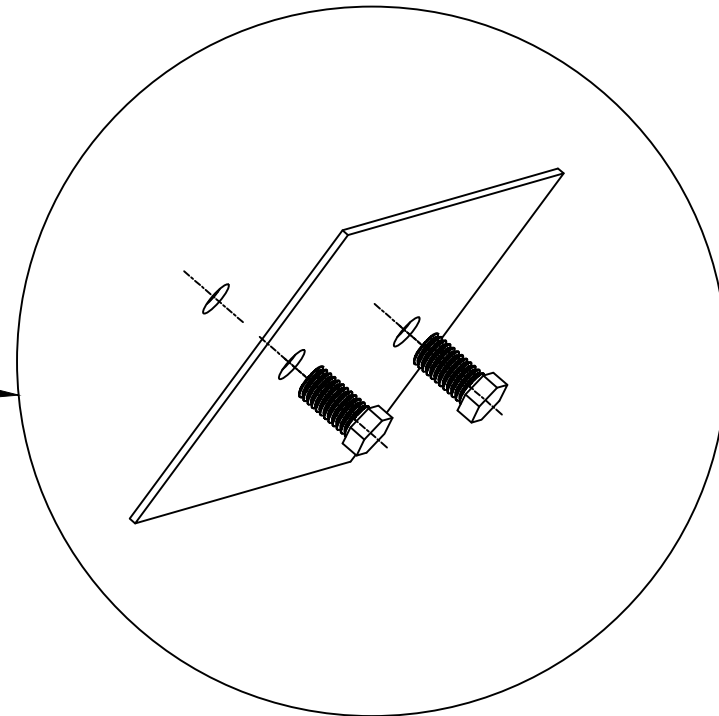
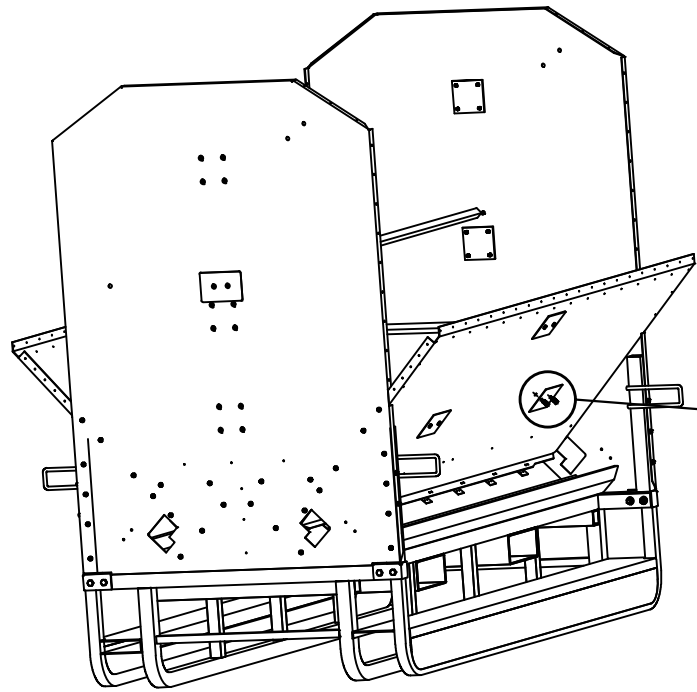
3000L/4200L-09

D2x2

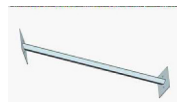


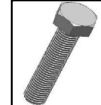
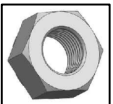


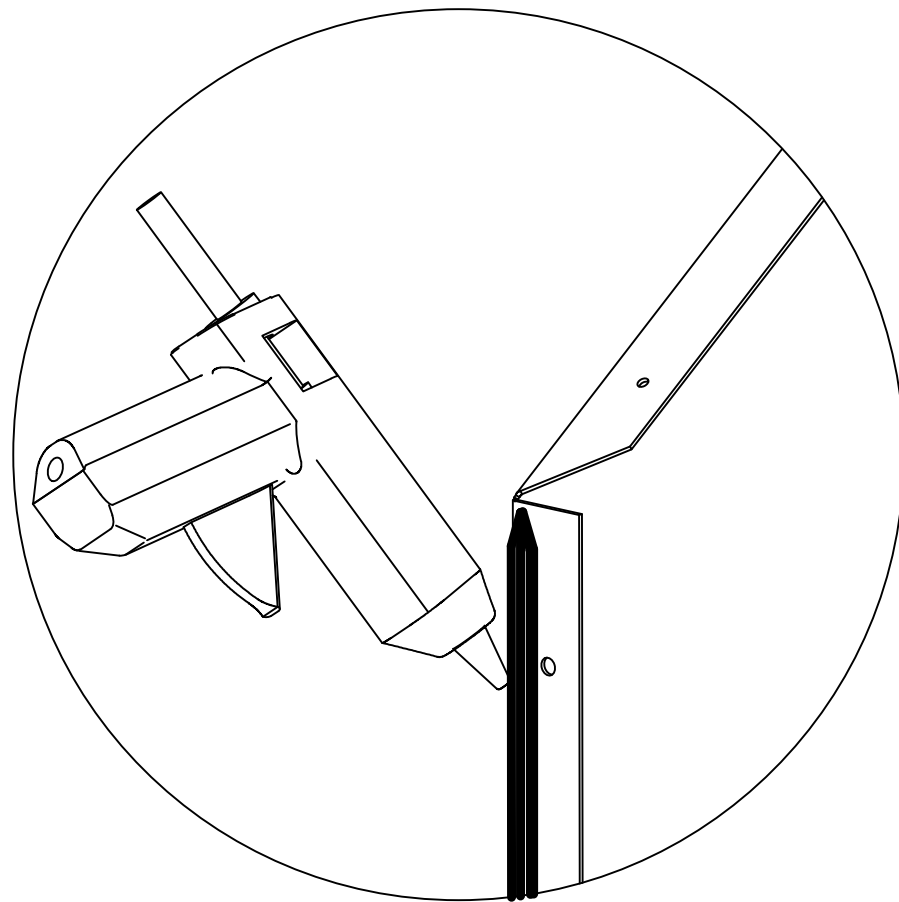
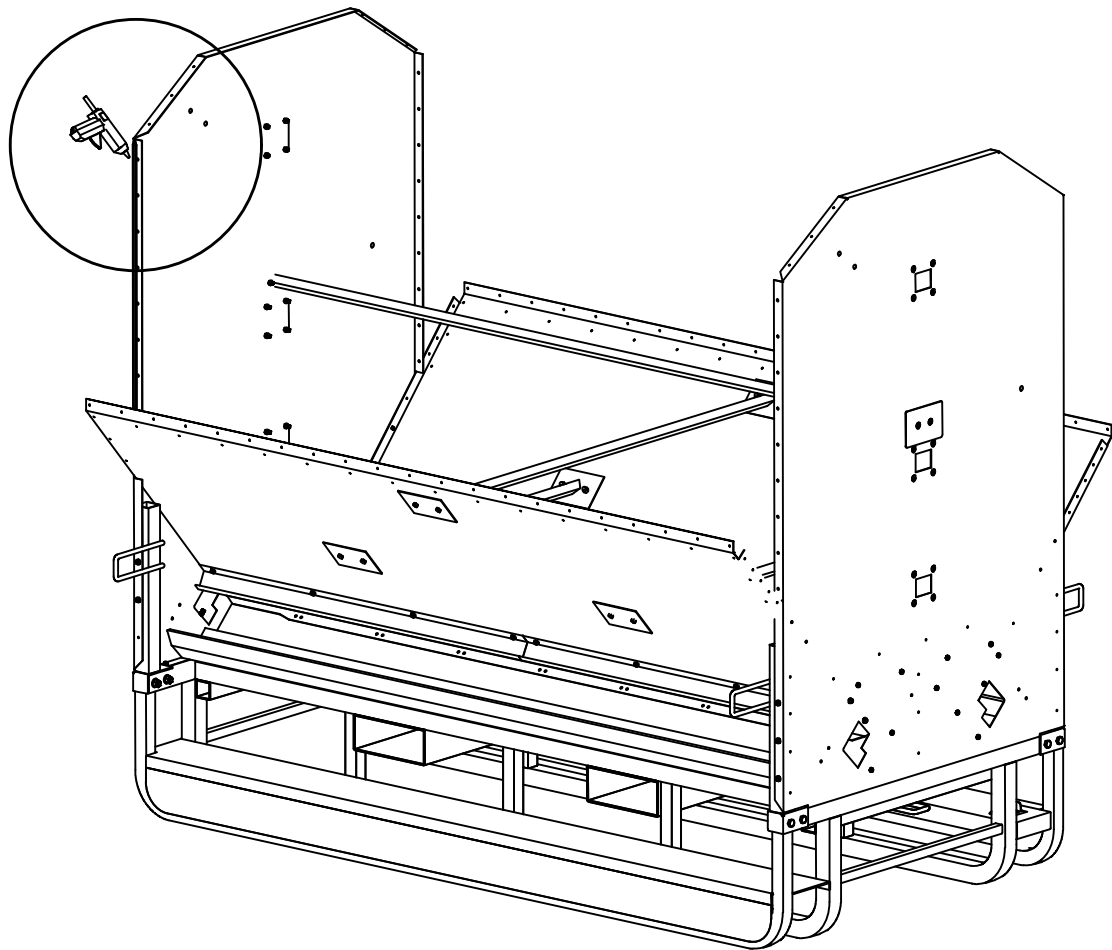
48x M5.5x20



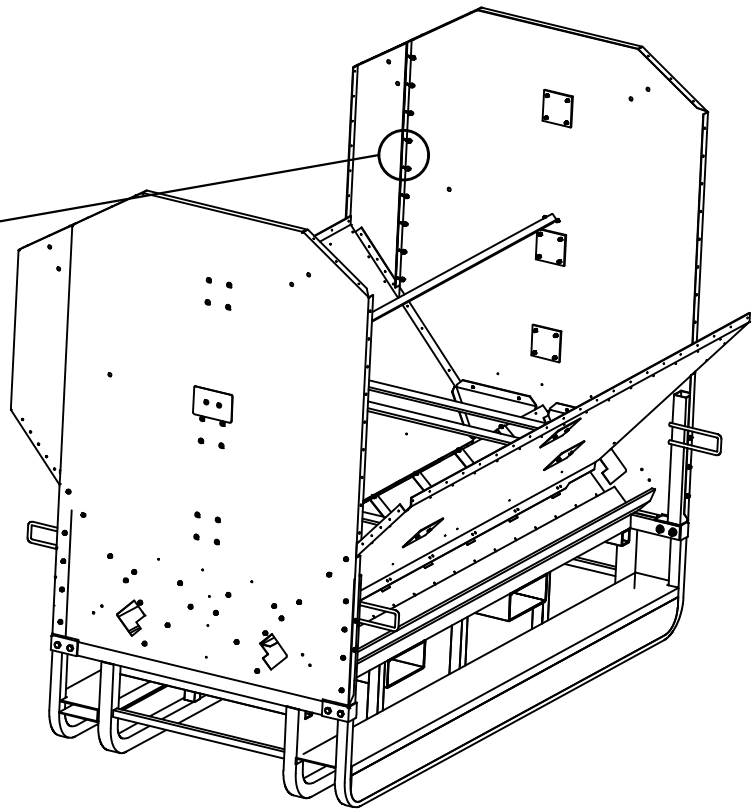
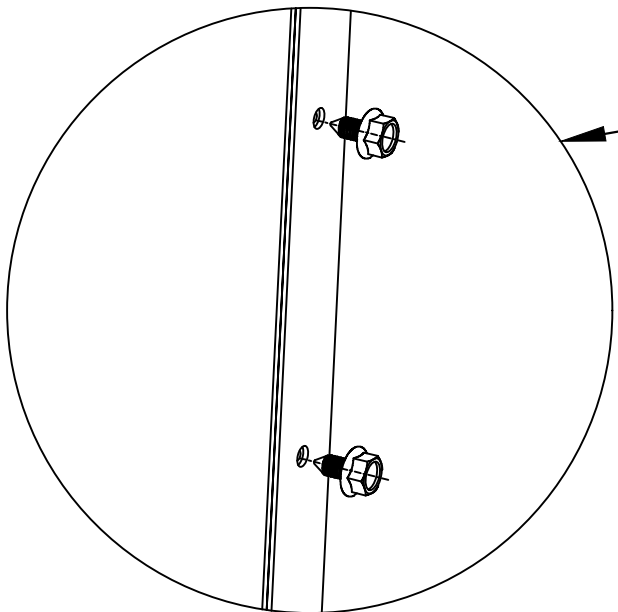
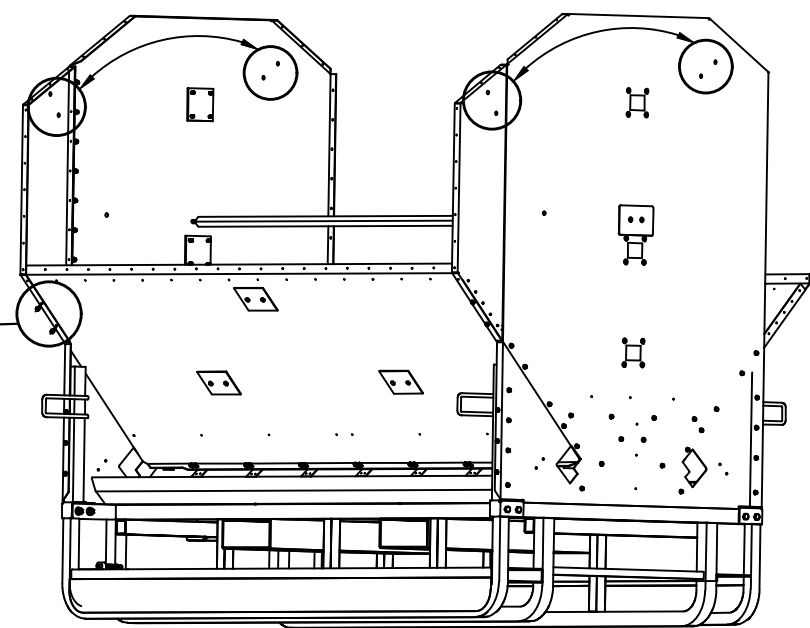
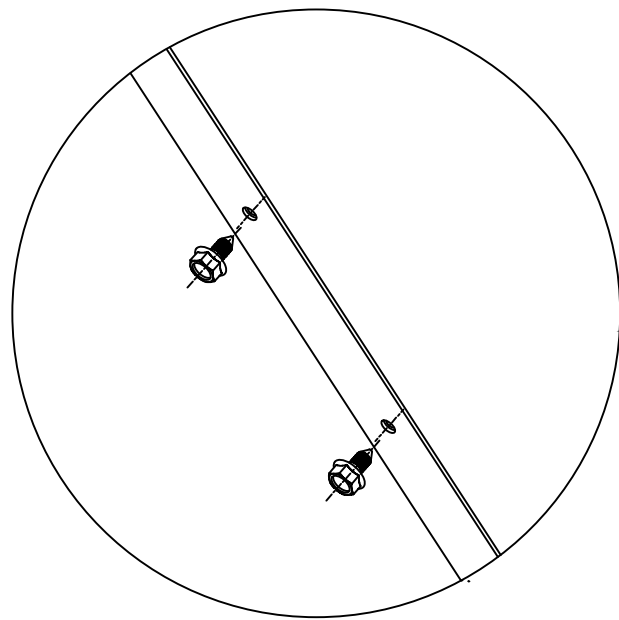


3000L/4200L-10


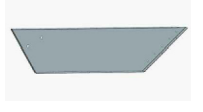
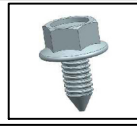
E2x1	
E3x2	
H2x6	
12xSSM8x20	
12x SSM8	

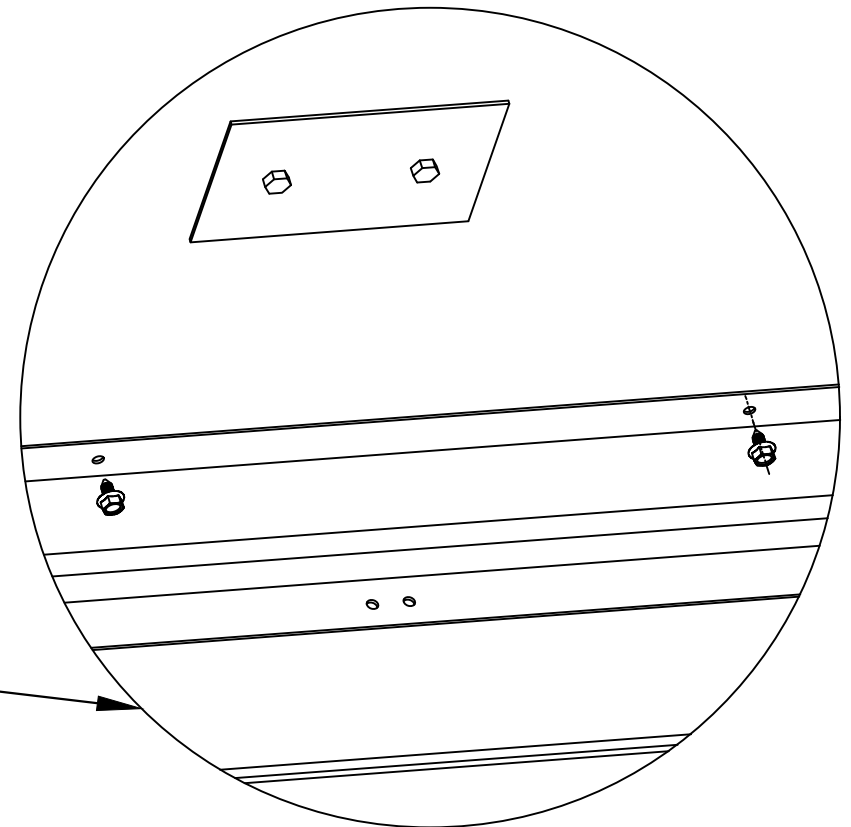
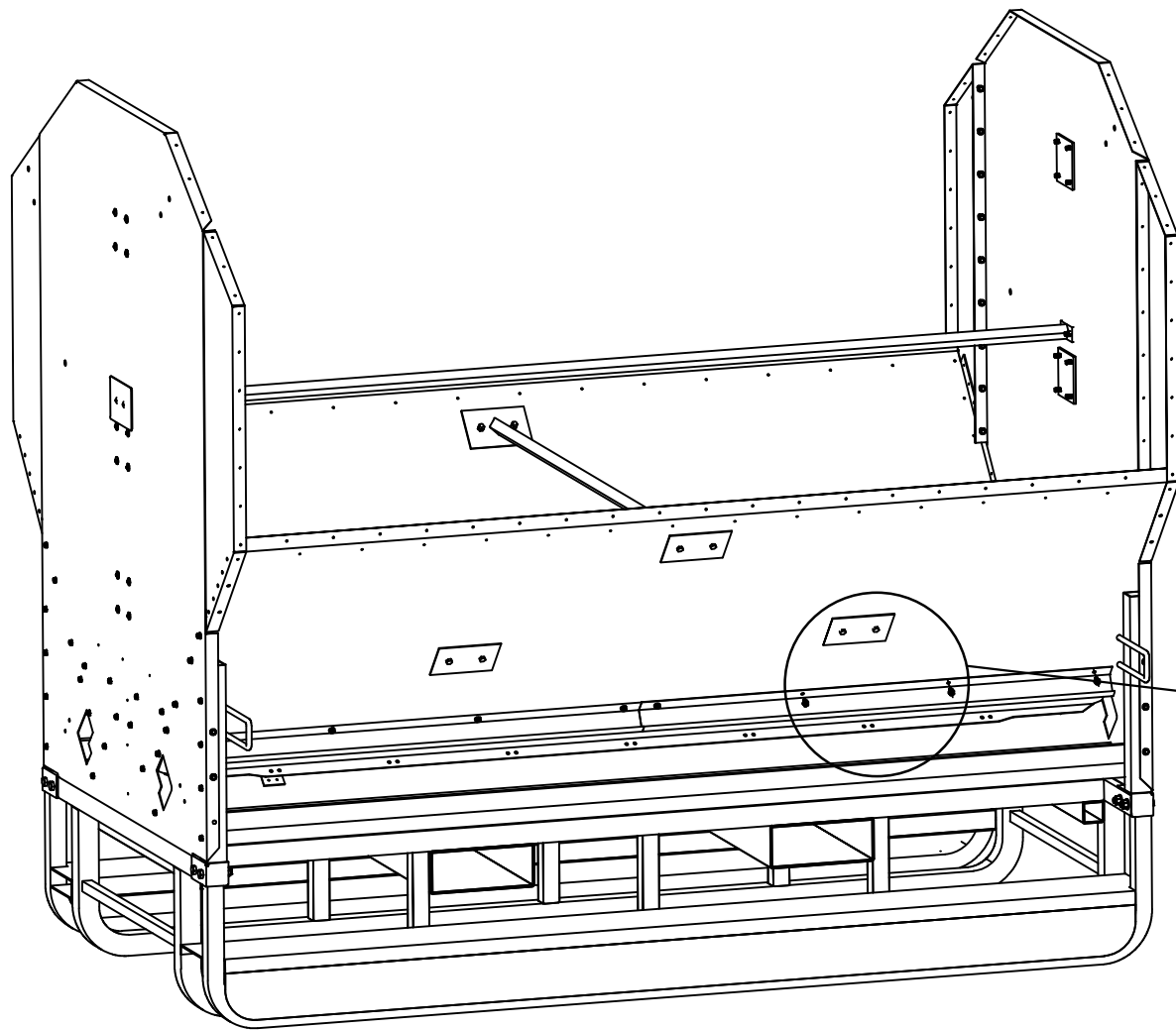


3000L/4200L-11



3000L/4200L-12

F1x1	
F2x1	
22x	M5.5x20
	



3000L/4200L-13

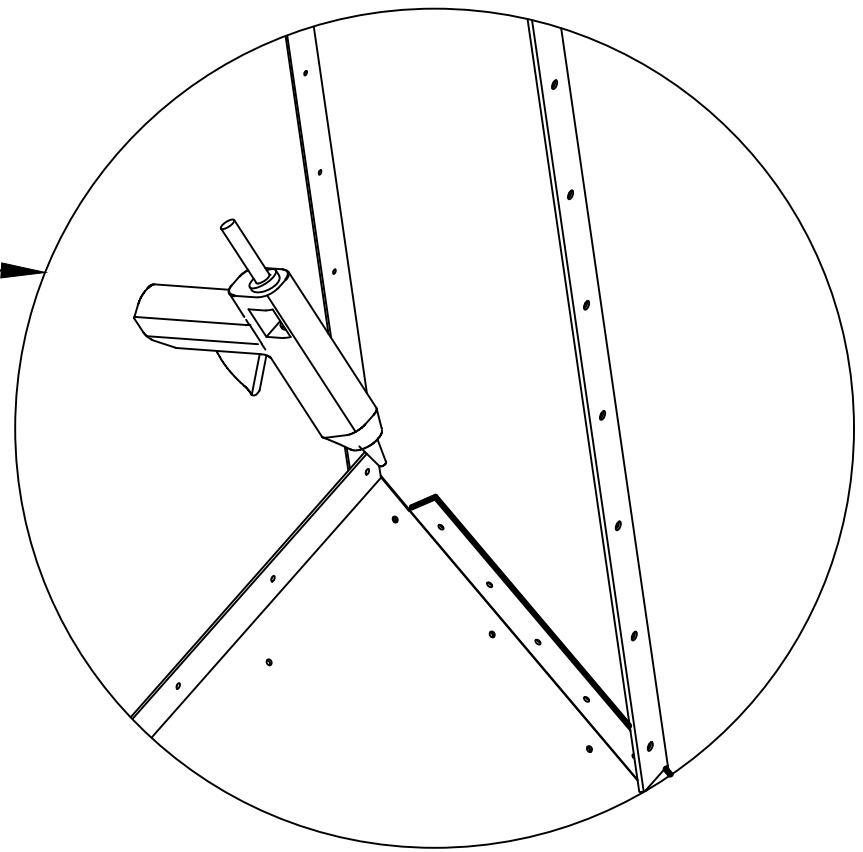
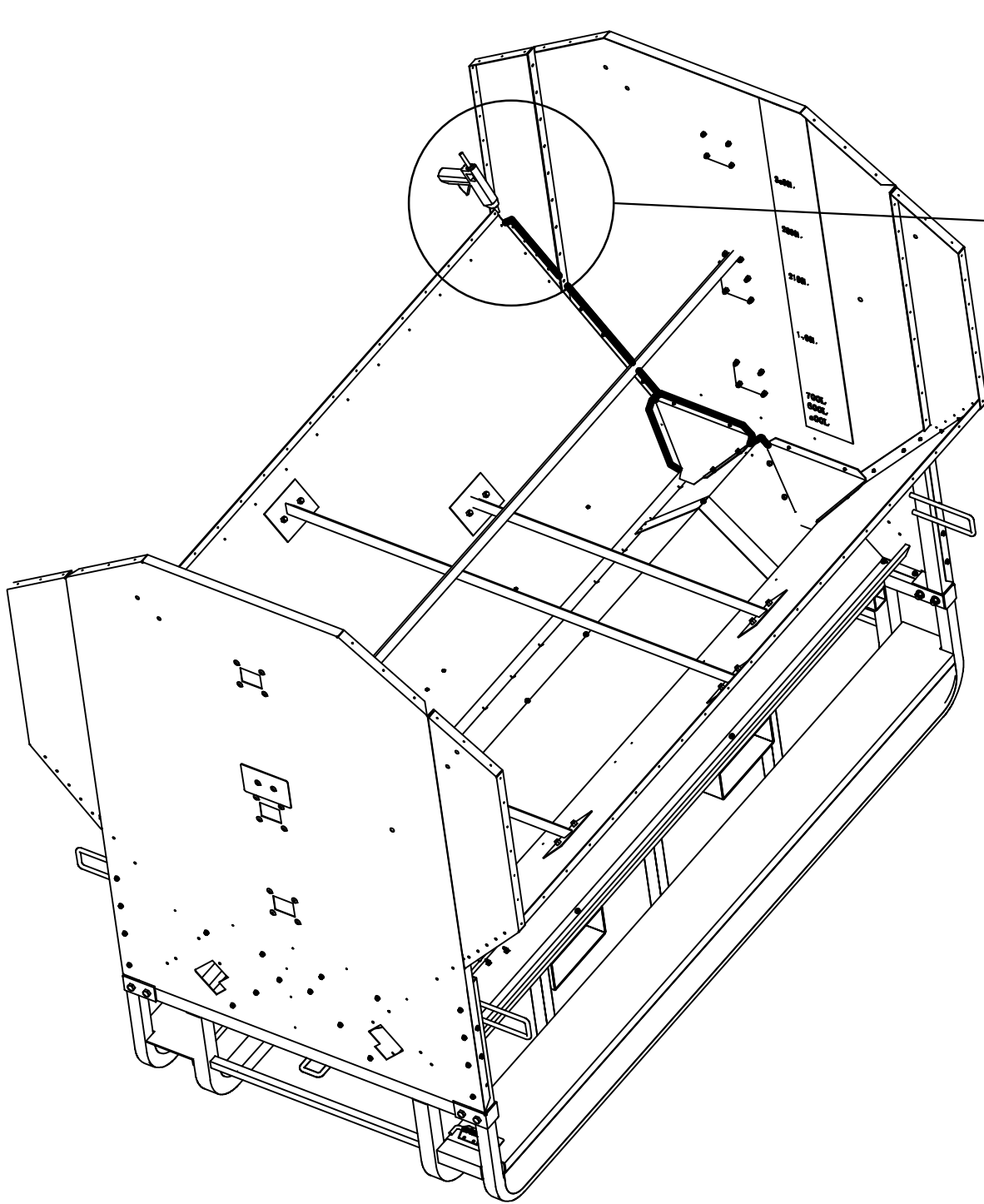
F3x1 

F4x1 

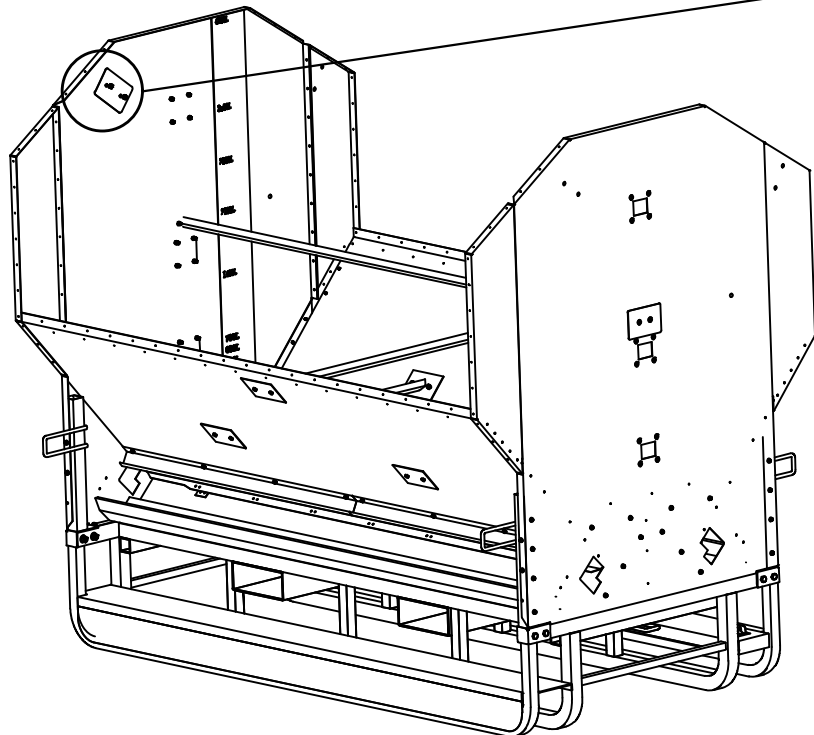
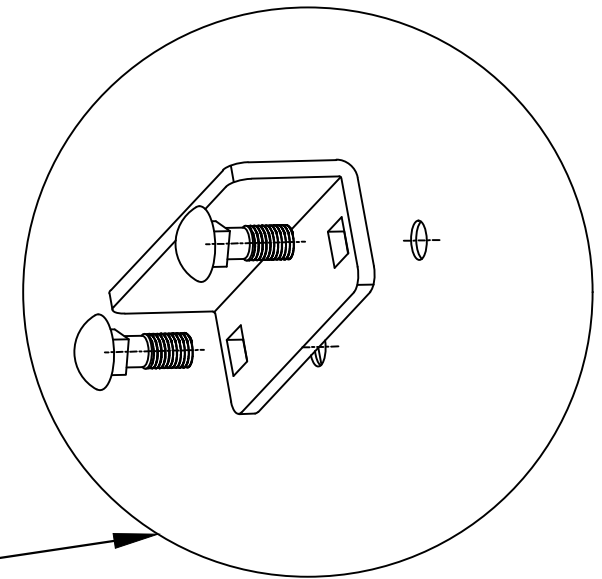
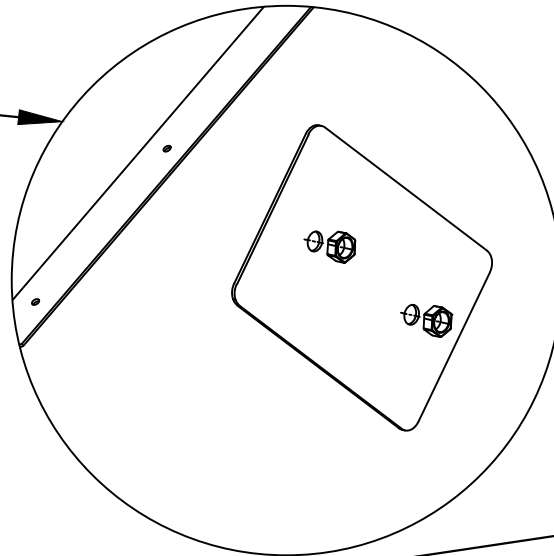
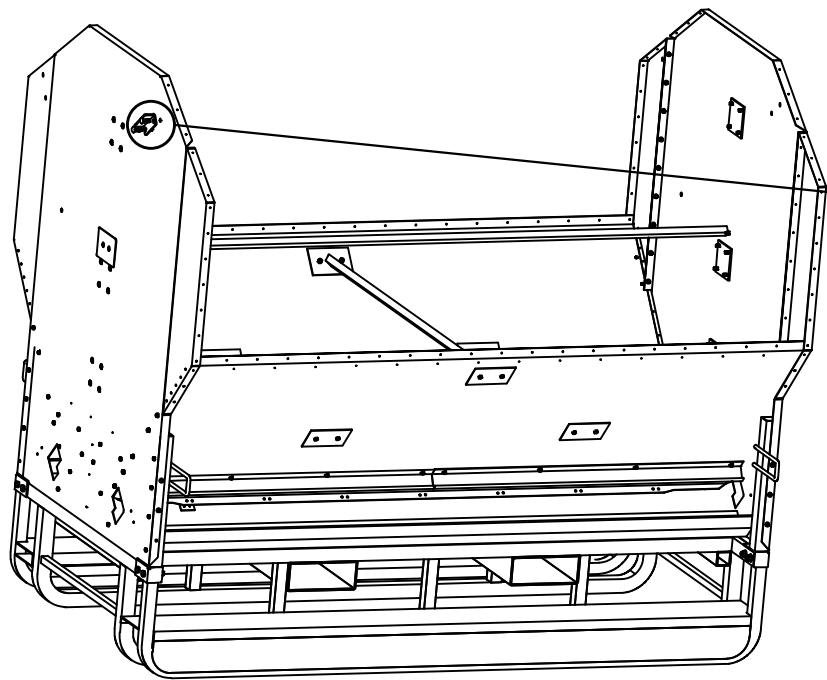
G1x4 

38x M5.5x20






3000L/4200L-14

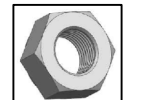


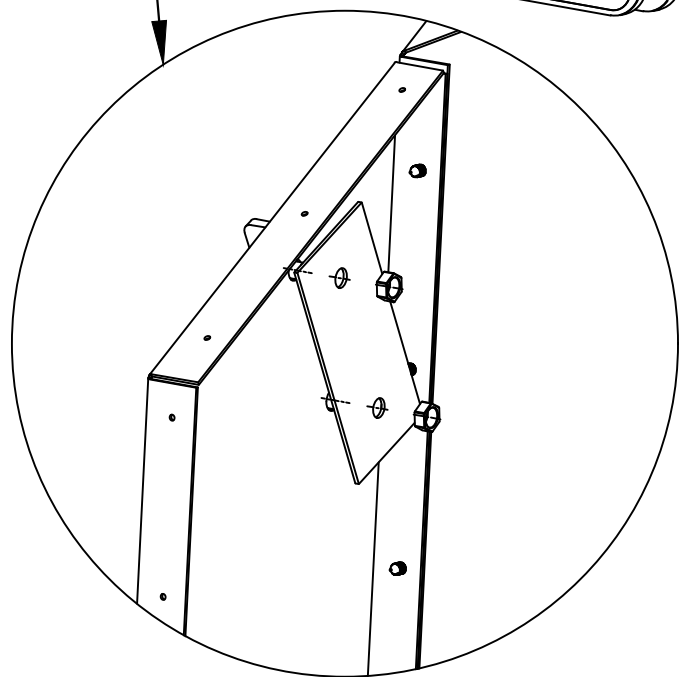
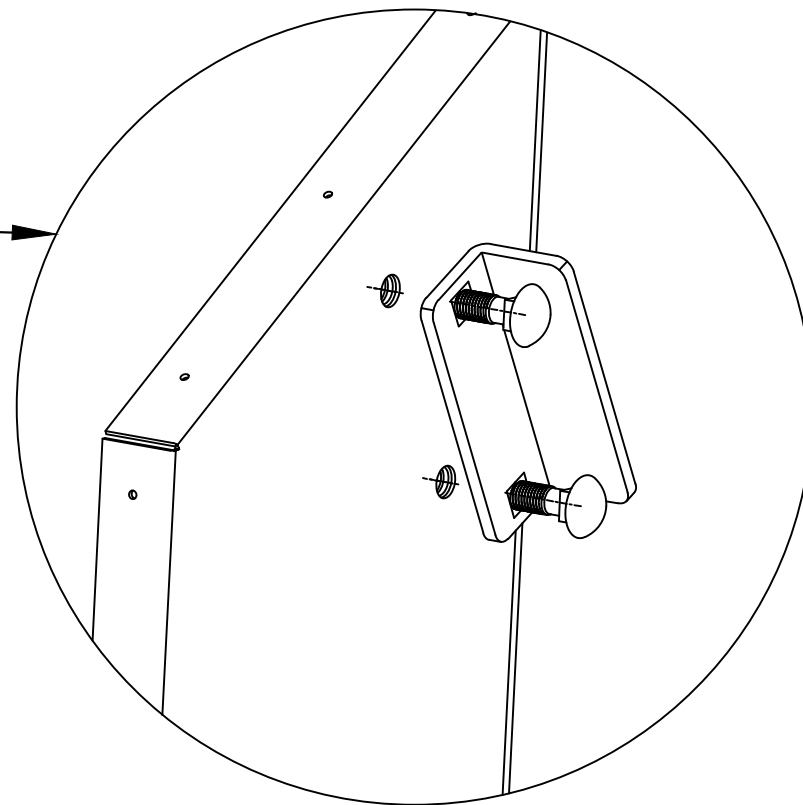
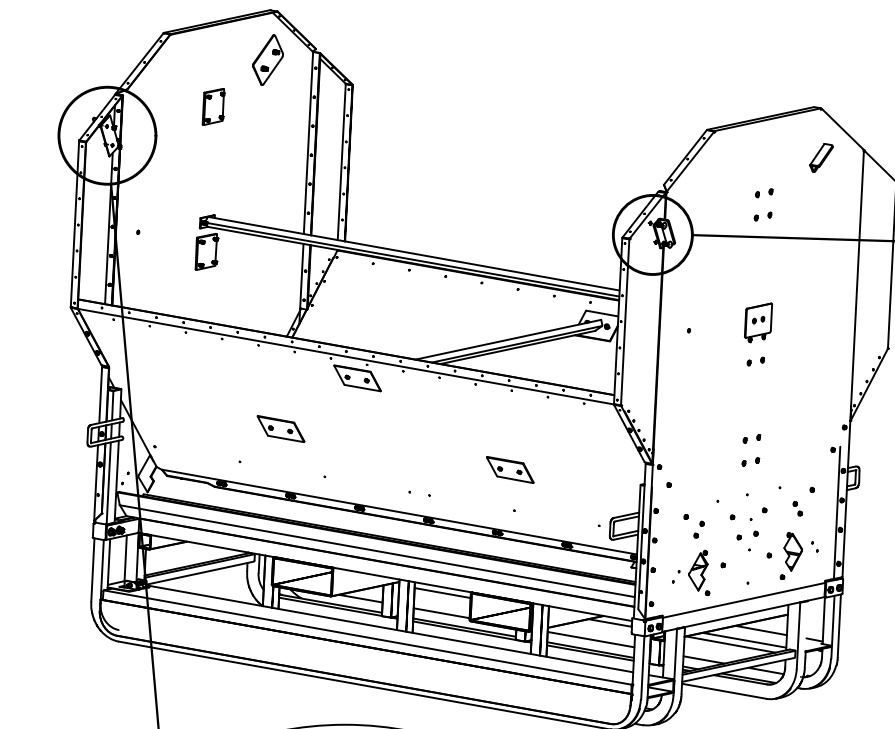
3000L/4200L-15

I1x2 

H2x2 


4x M10x25 


4x M10 



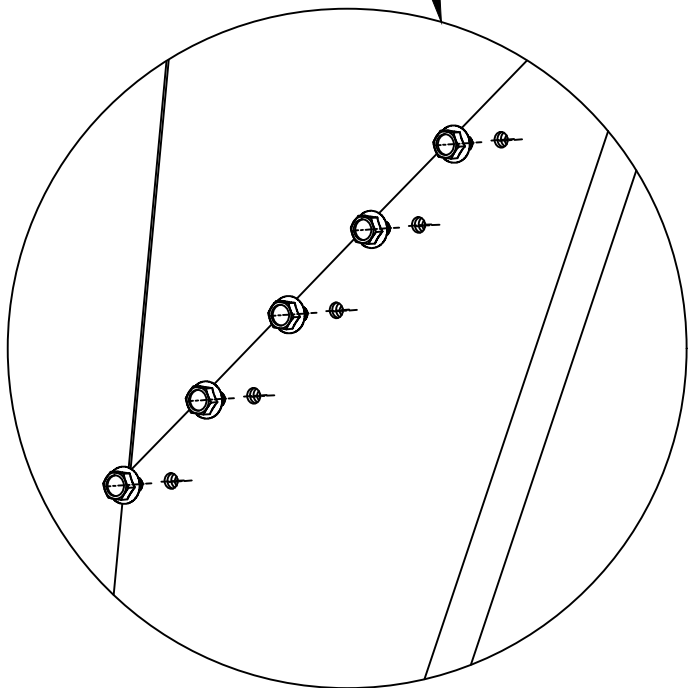
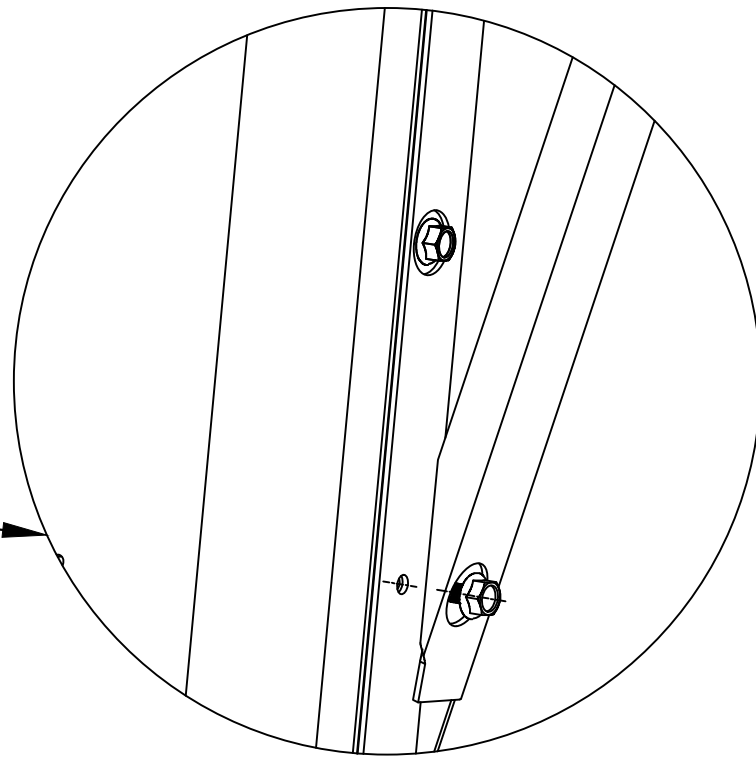
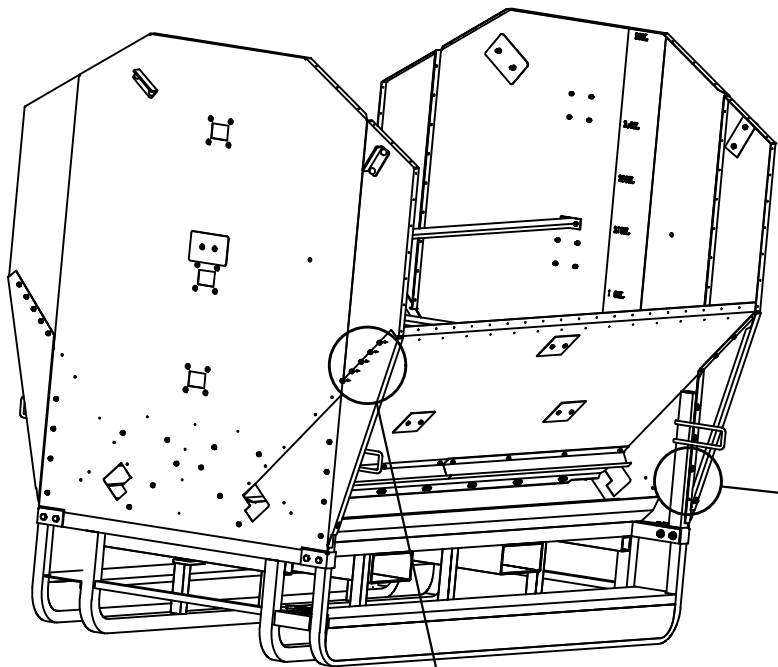
3000L/4200L-16

I1x2 

H3x2 

4x M10x25 

4x M10 

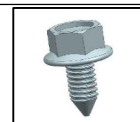


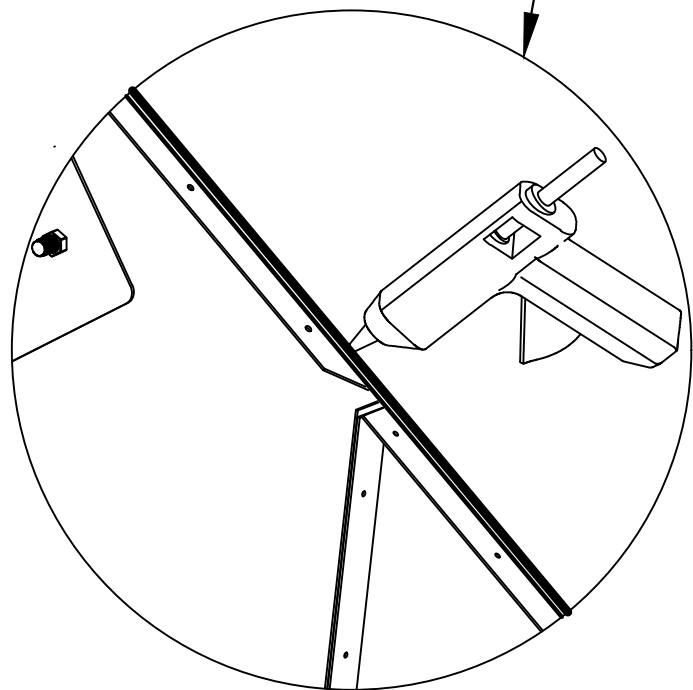
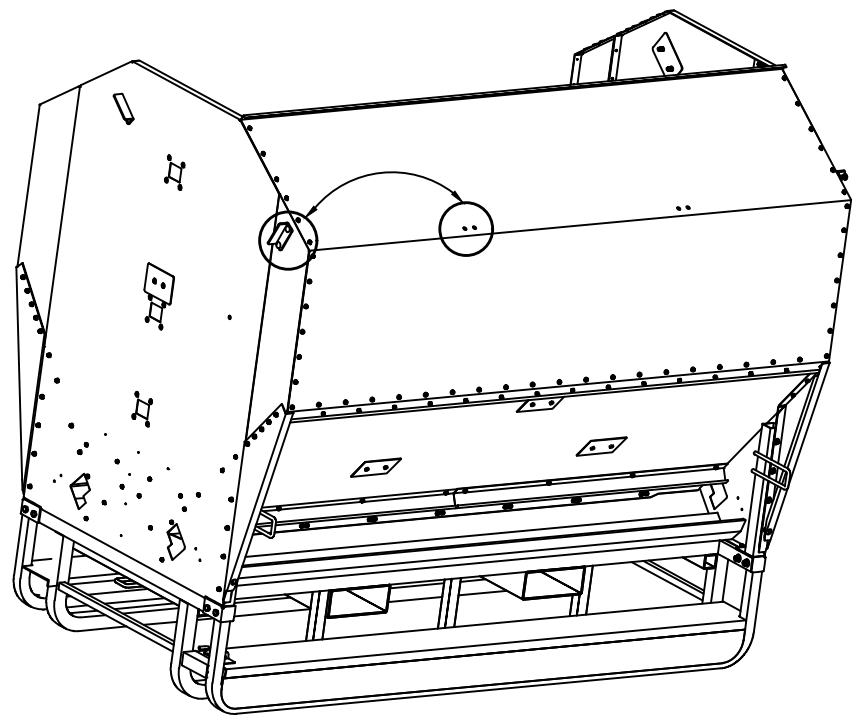
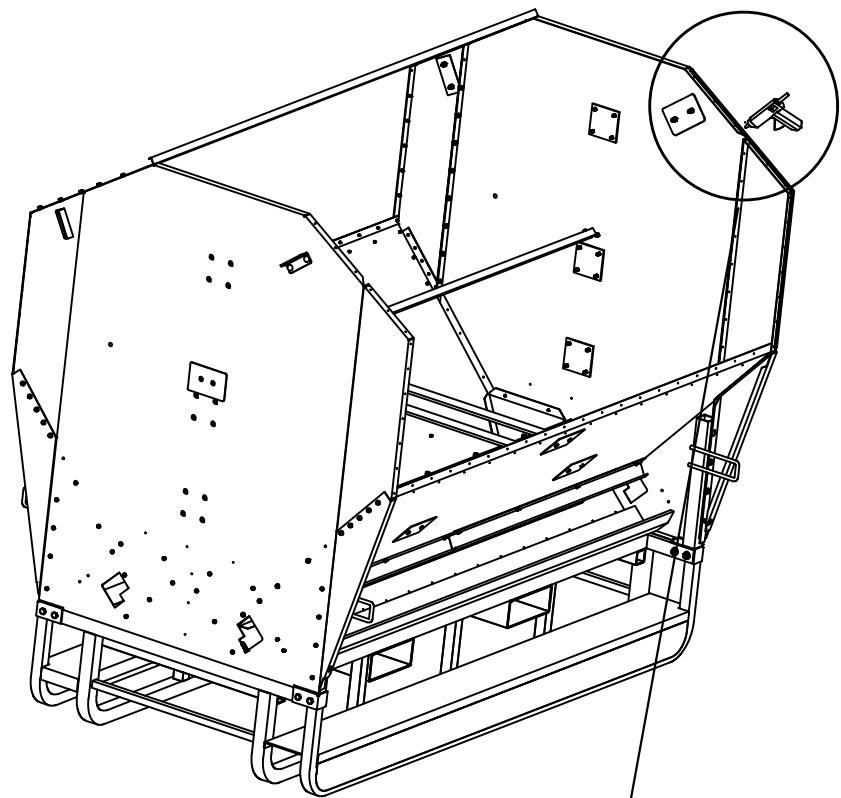
3000L/4200L-18

J1x2 

J2x2 

24x M5.5x20

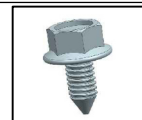


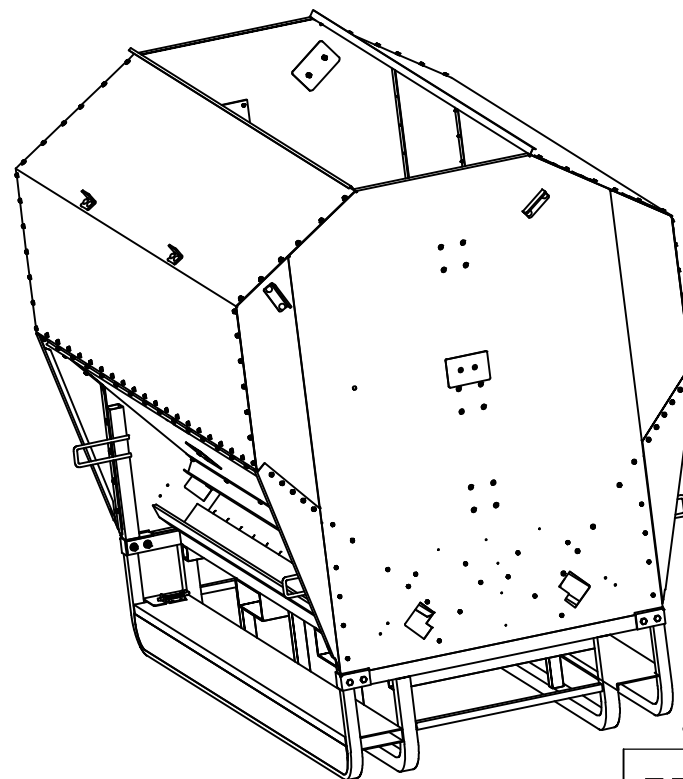
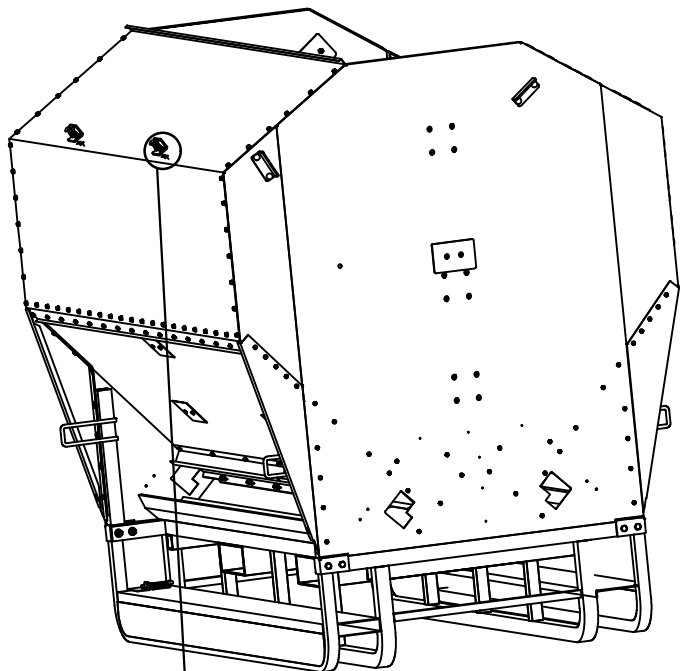


3000L/4200L-17

K1x1 

61x M5.5x20







3000L/4200L-19

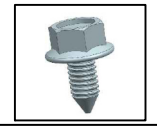
K2x1 

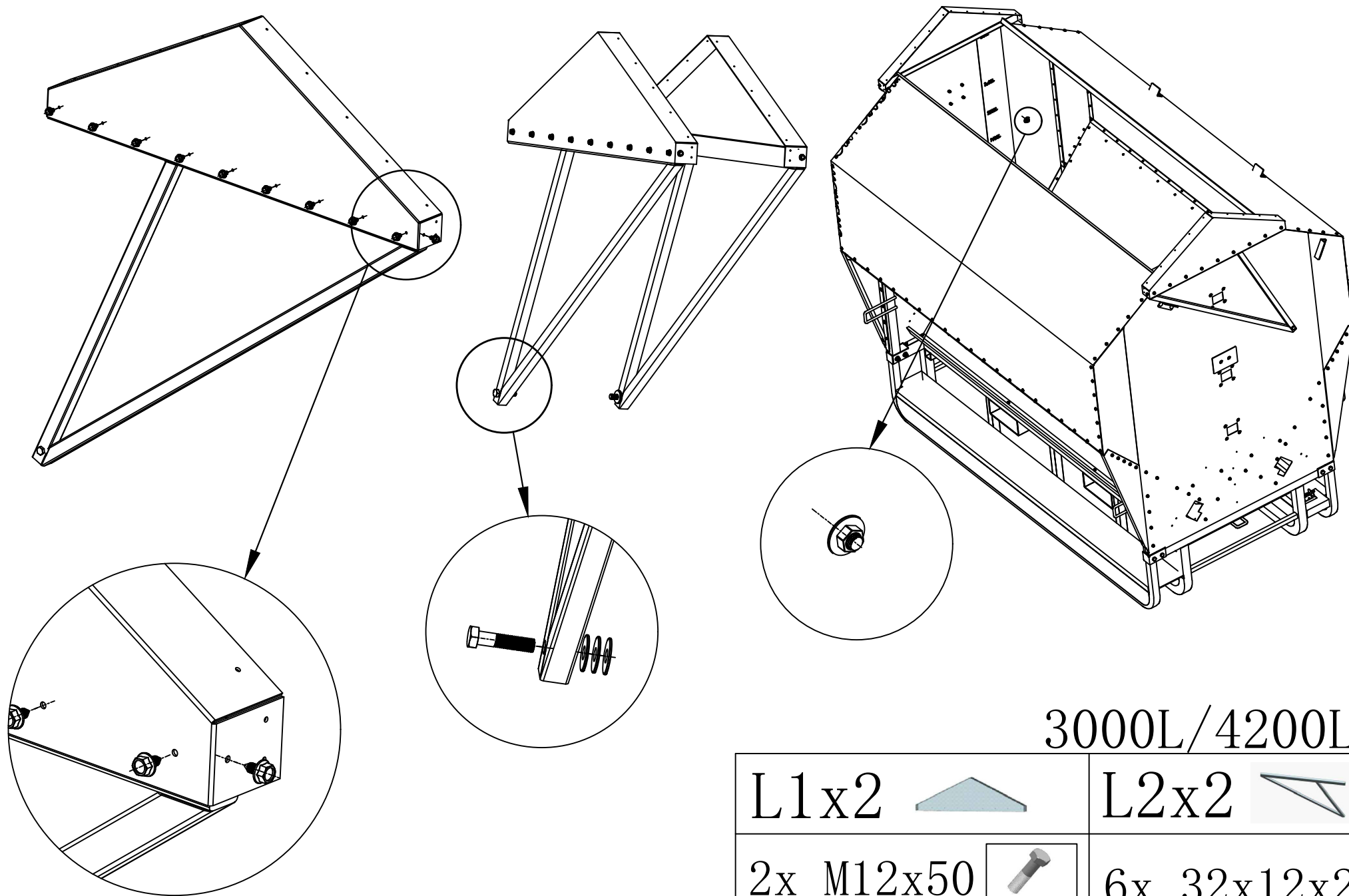
I2x2 

4x M10x25 






4x M10 

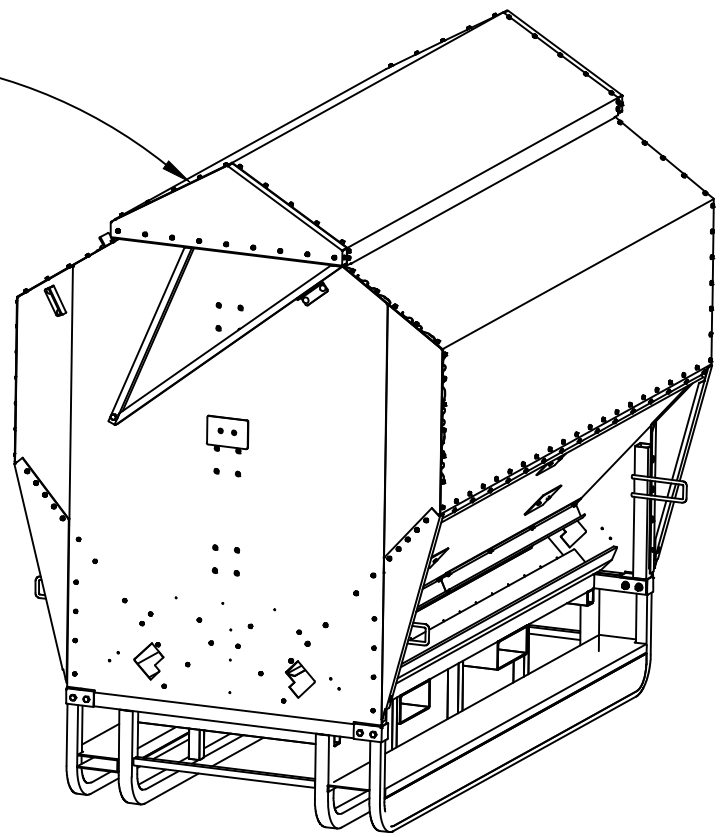
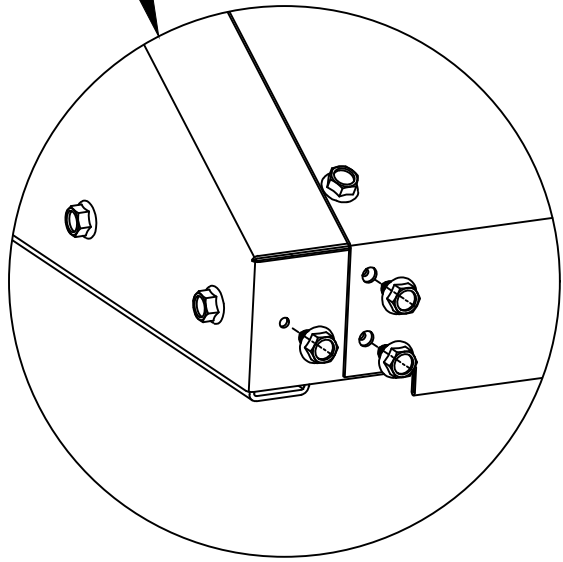
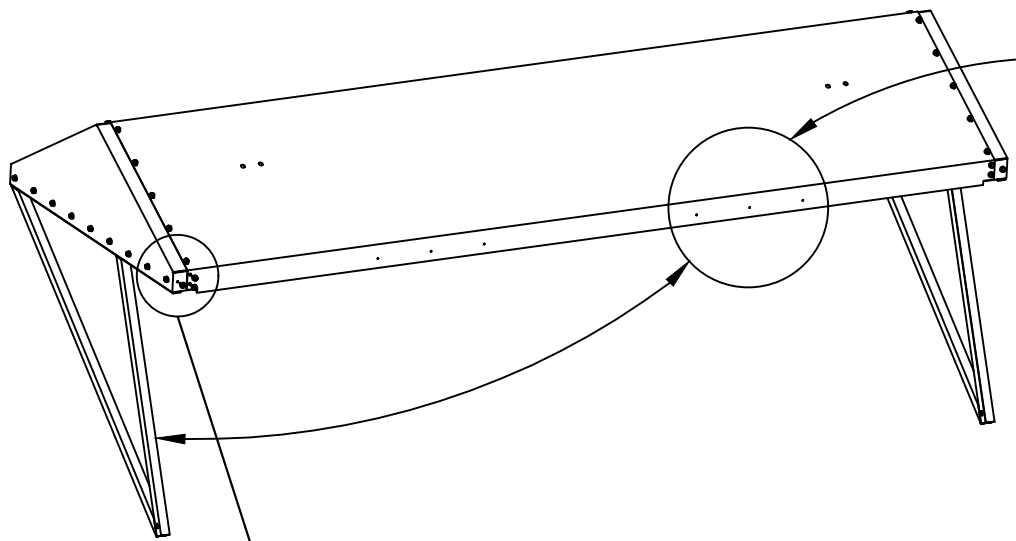
61x M5.5x20





3000L/4200L-20

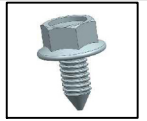
L1x2 	L2x2 
2x M12x50 	6x 32x12x2 
22x M5.5x20 	

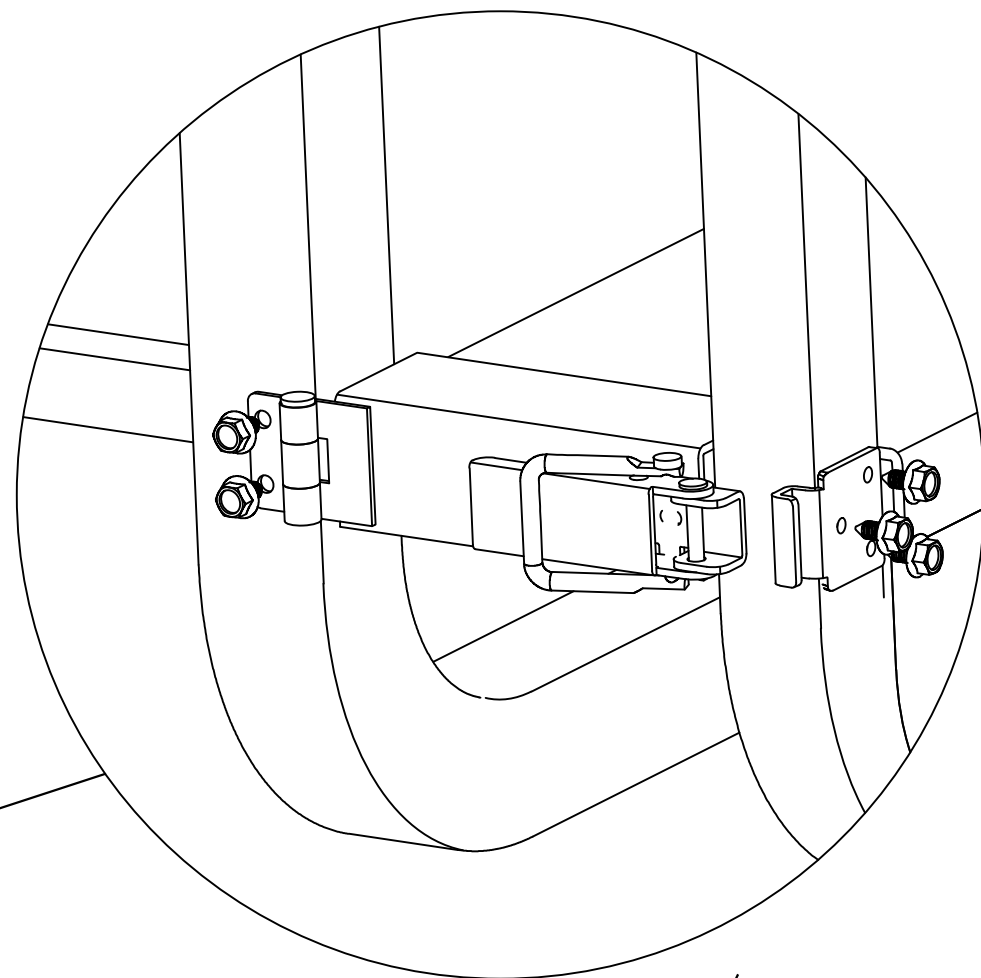
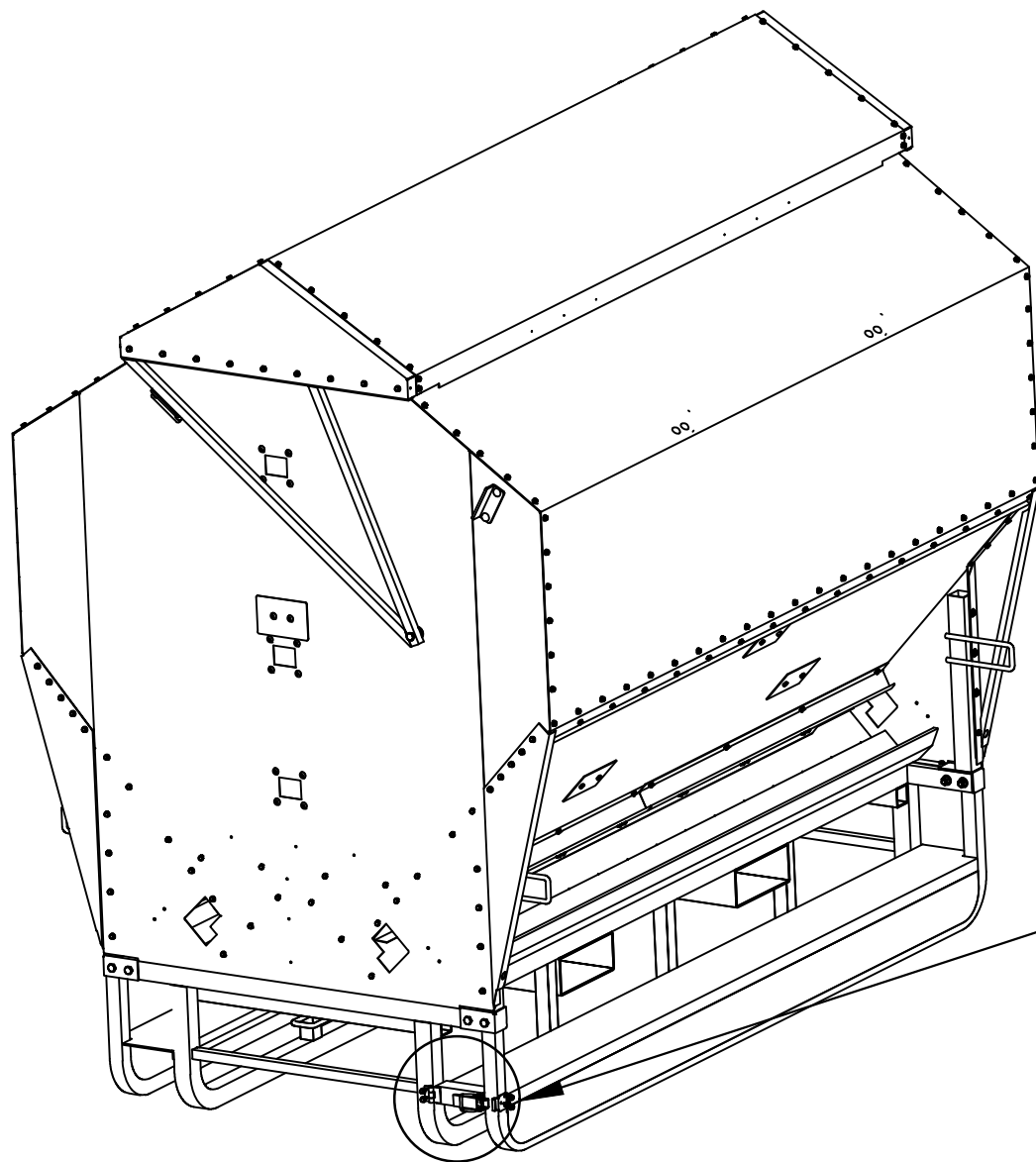


3000L/4200L-21

L3x1 

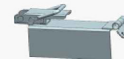
28x M5.5x20



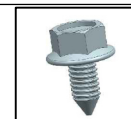


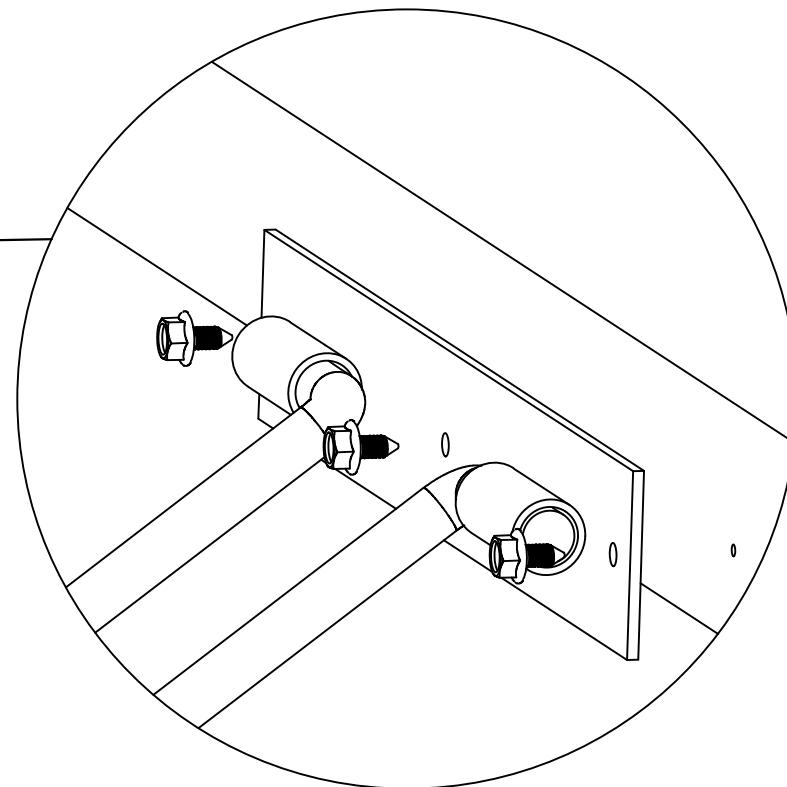
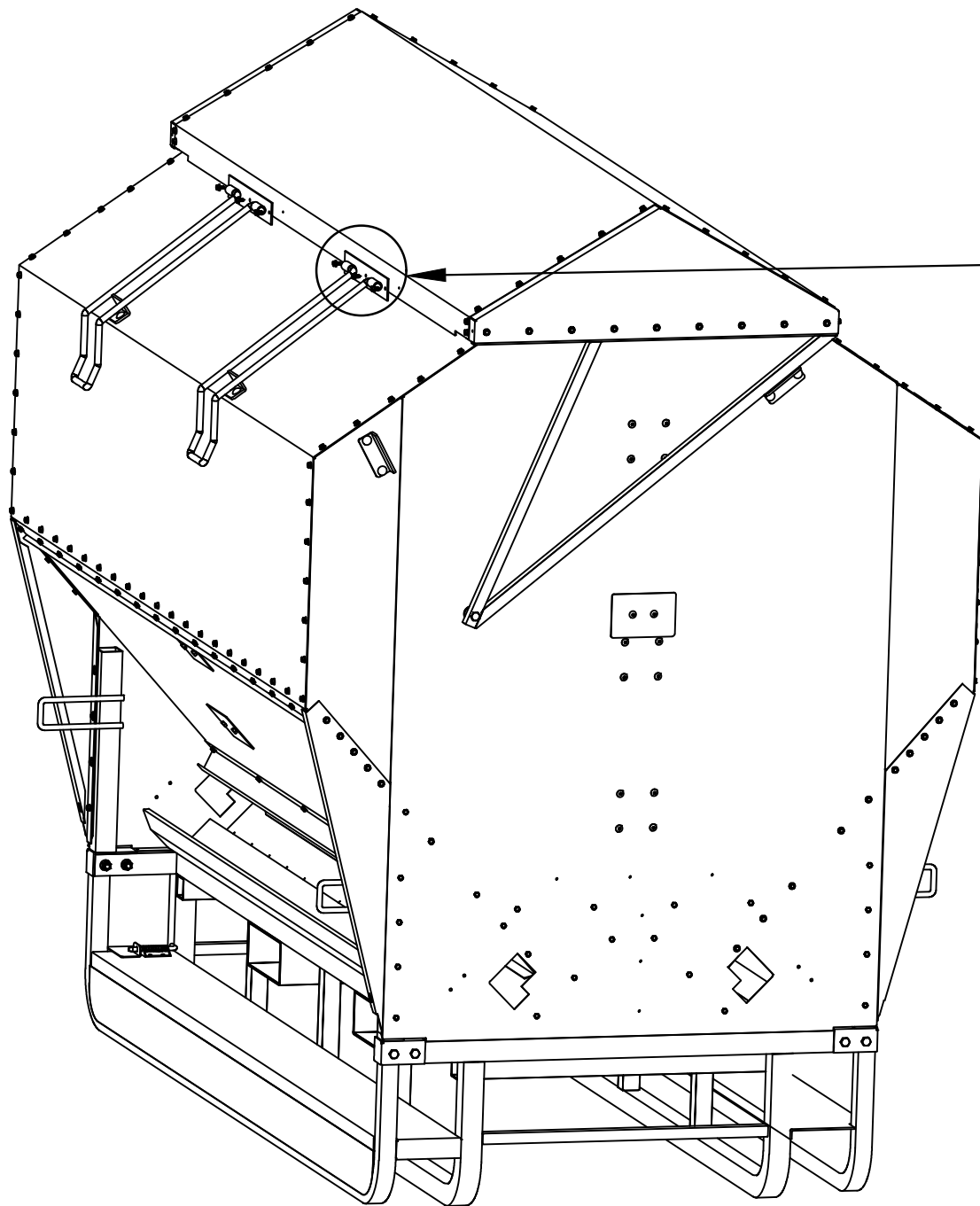
3000L/4200L-22

M1x1



5x M5. 5x20



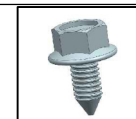


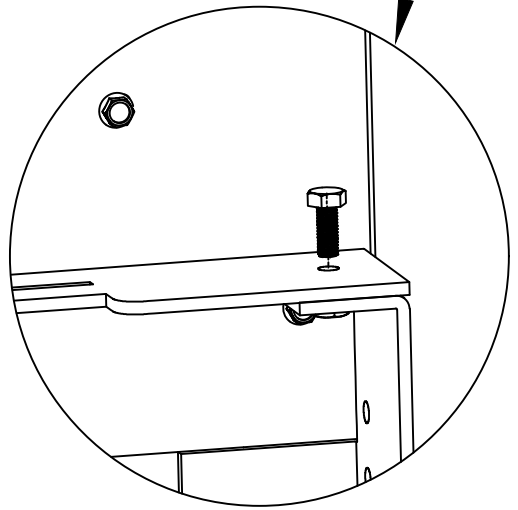
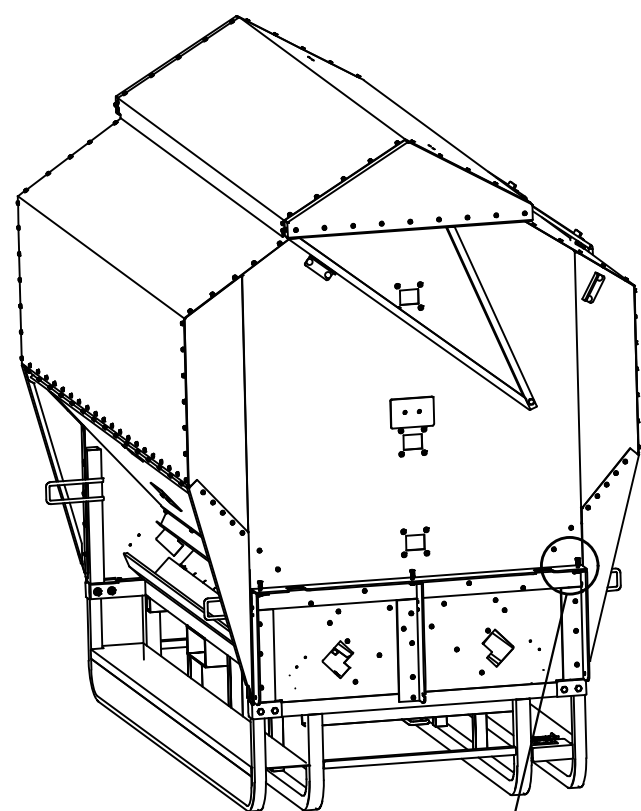
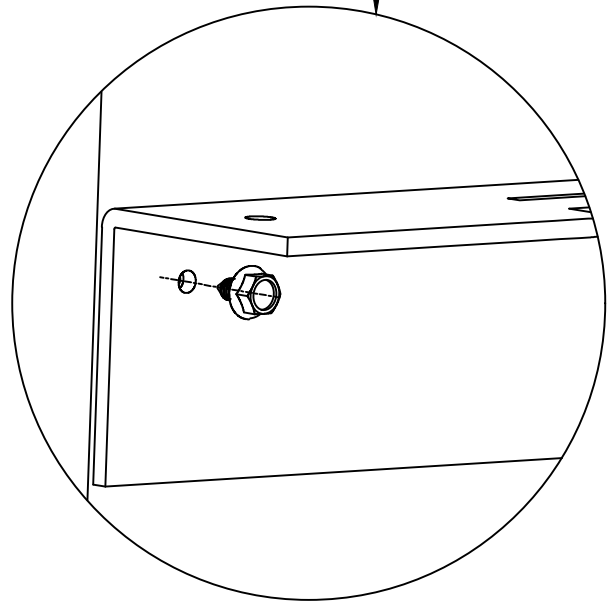
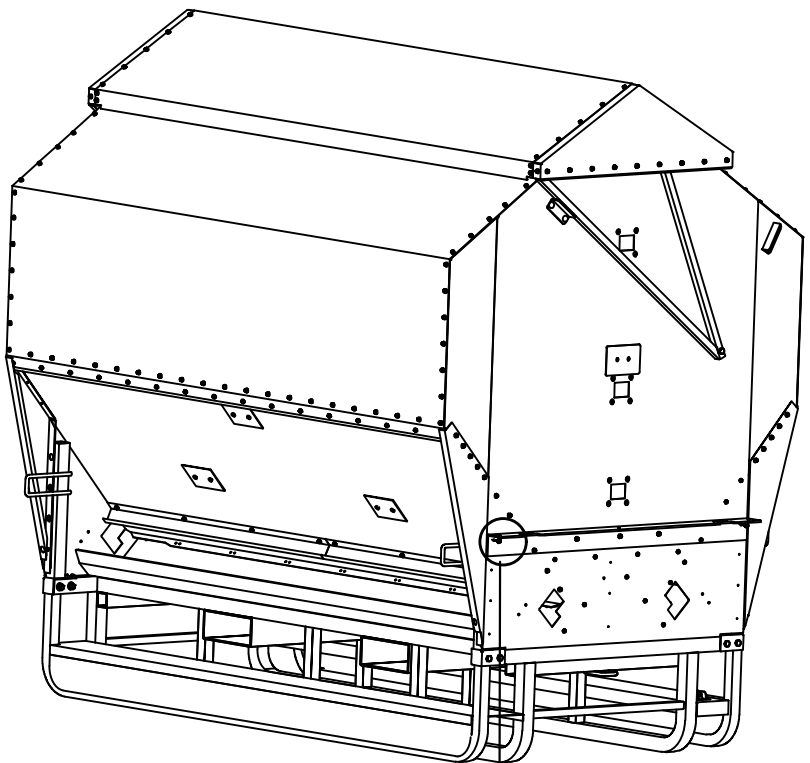
3000L/4200L-23

N1x2



6x M5. 5x20






3000L/4200L-24


1x1 

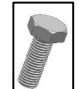
2x1 

3x1 

4x1 

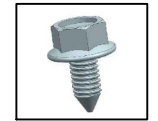
5x2 

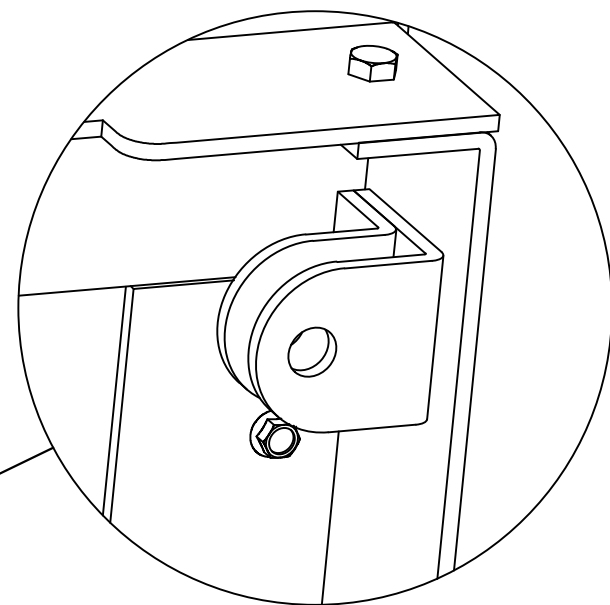
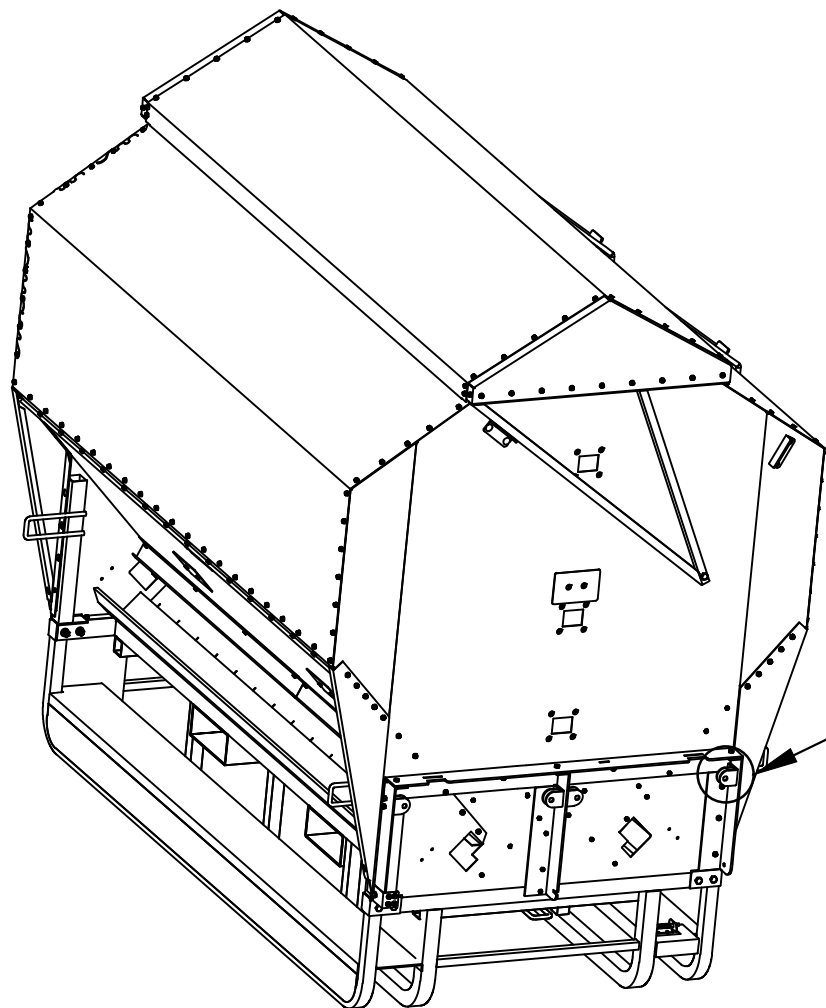
6x2 

6x M8x20 

6x M8 

36x M5.5x20





3000L/4200L-25

P1x8



P2x8

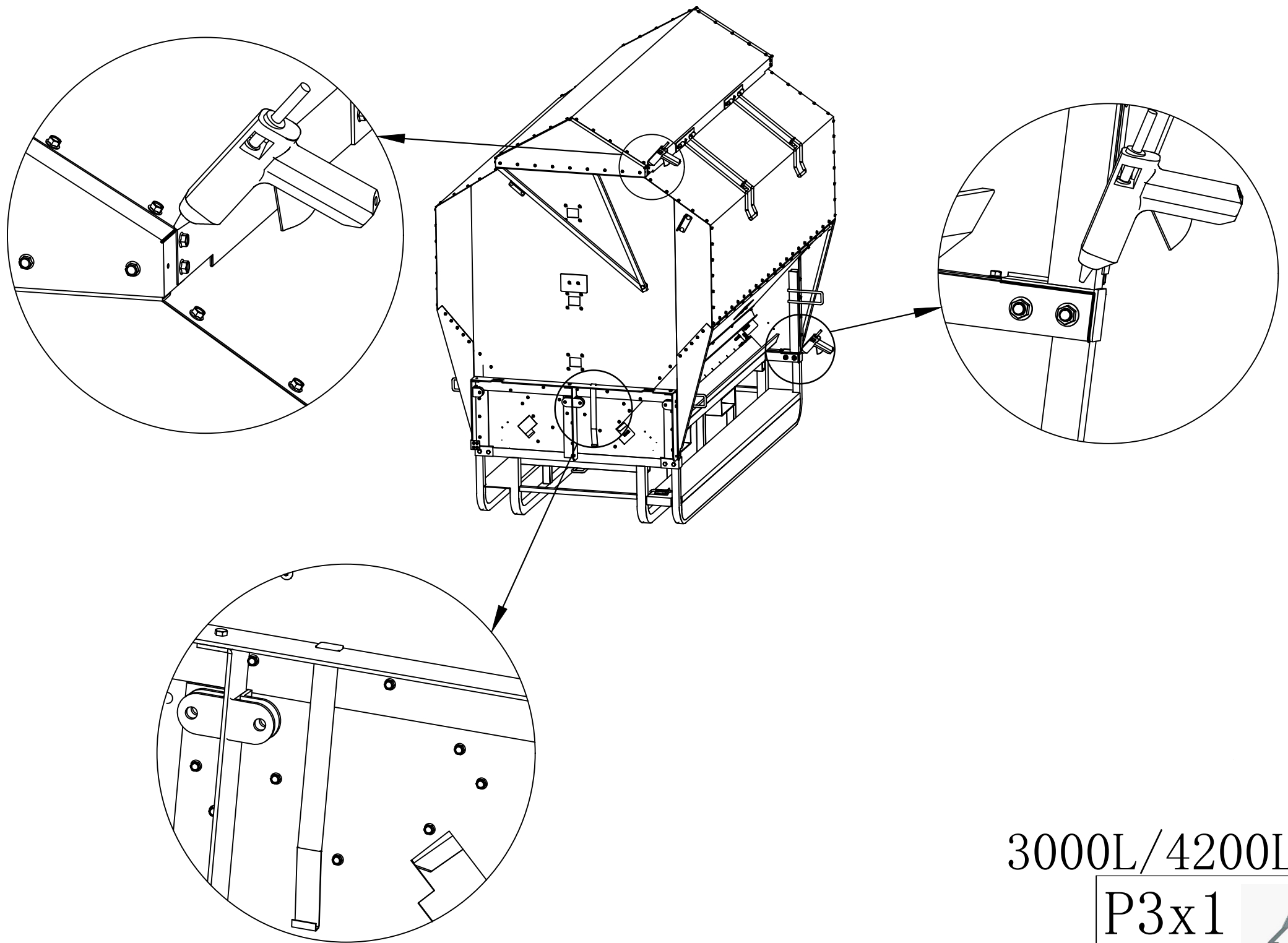


12x M8x35



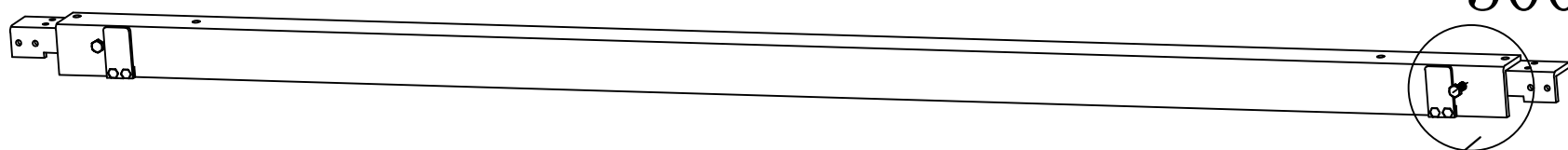
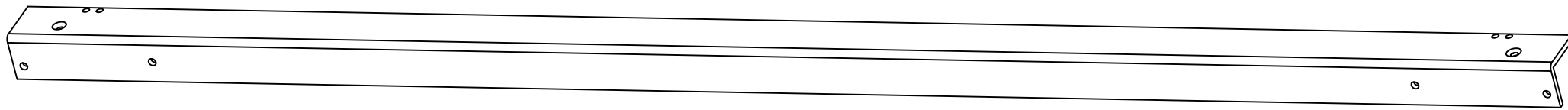
12x M8



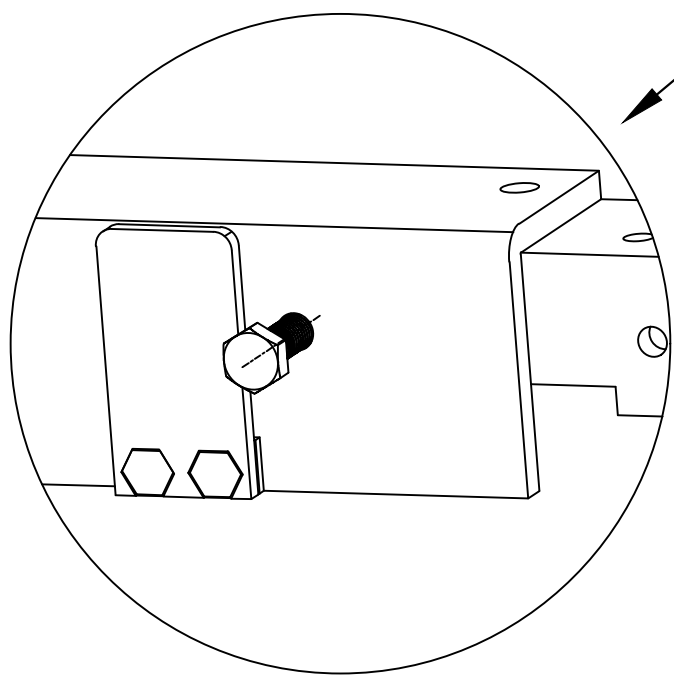


3000L/4200L-26

P3x1 /



3000L/4200L-27




Q1x2 


Q2x2 

Q3x2 

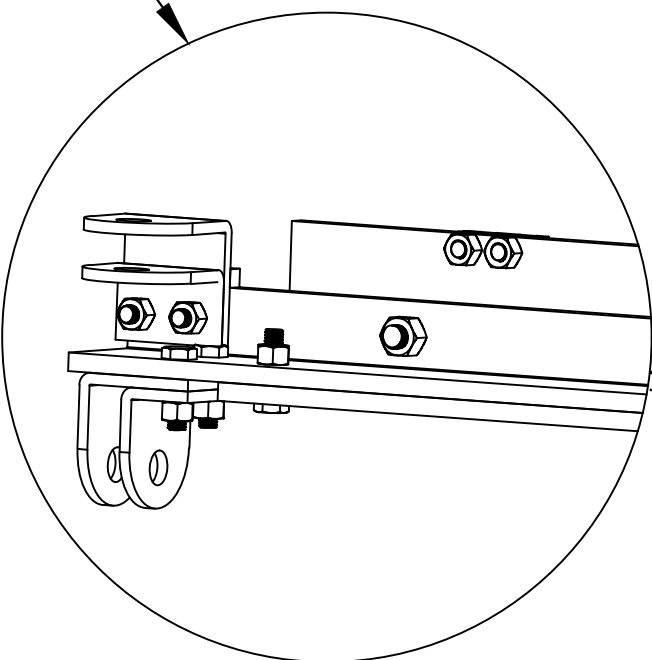
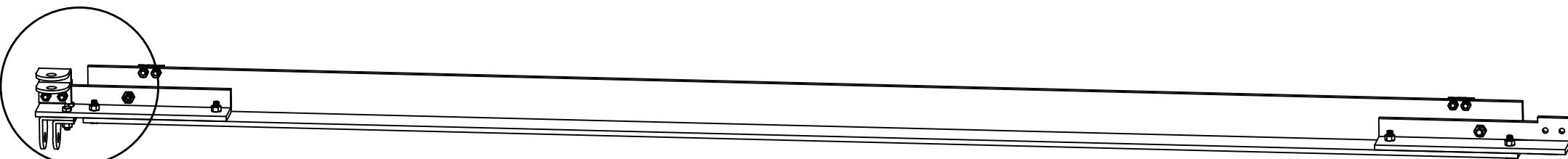
Q4x4 

4x M10x30 

4x M10 

8x M8x35 

8x M8 

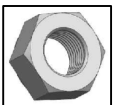


3000L/4200L-28

P1x4 

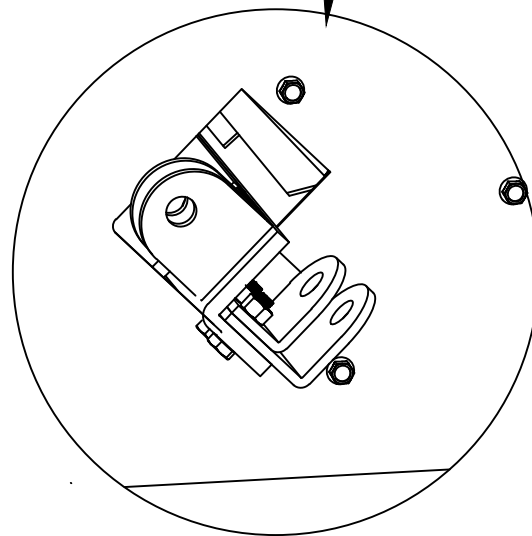
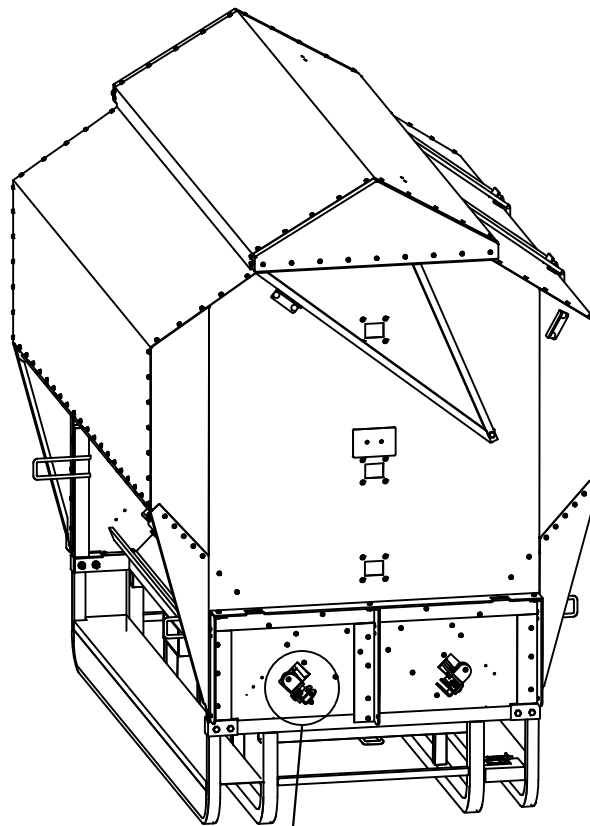
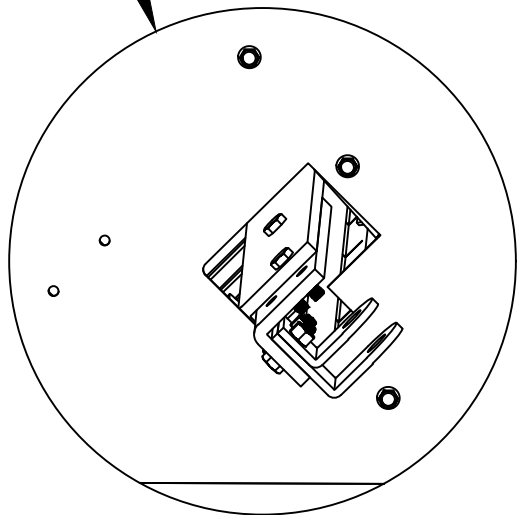
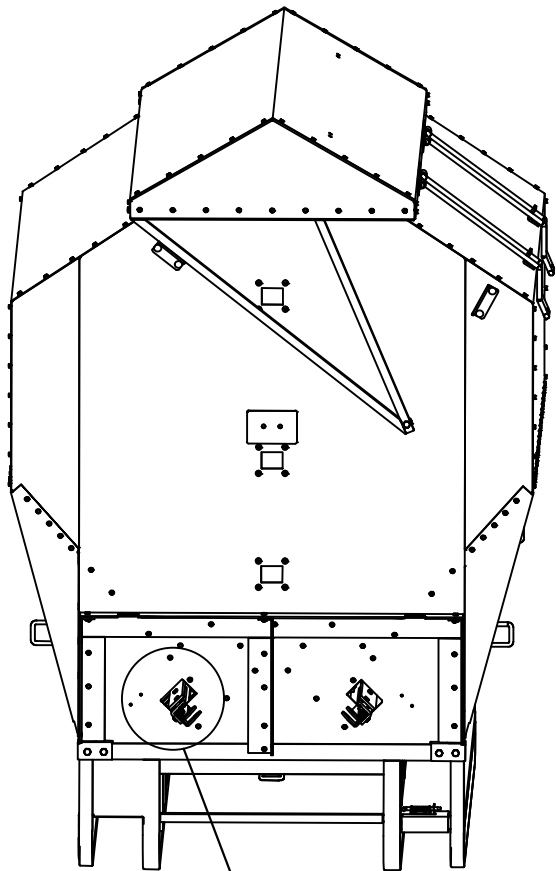
P2x4 

8x M10x30 

8x M10 

8x M8X35 

8x M8 

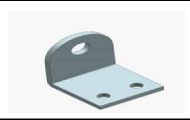


3000L/4200L-29

P1x4



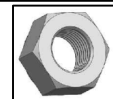
P2x4

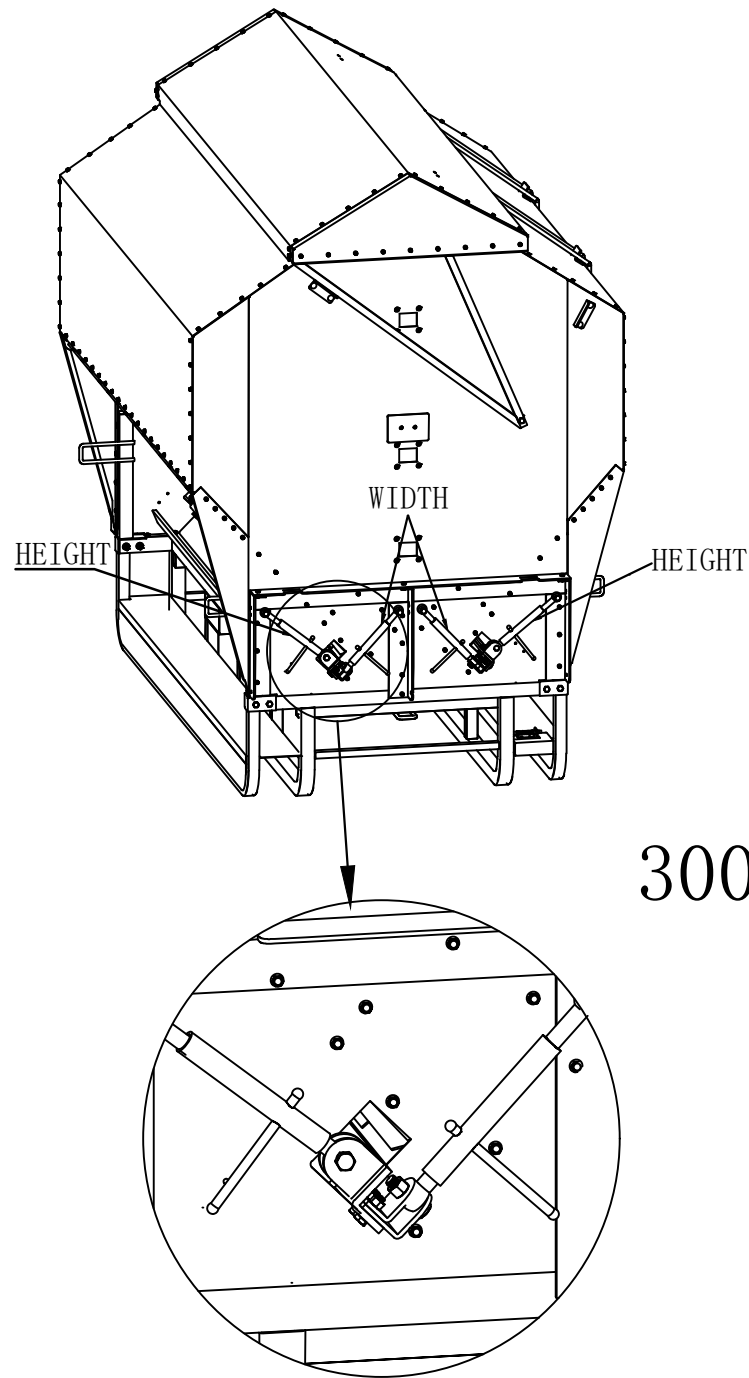
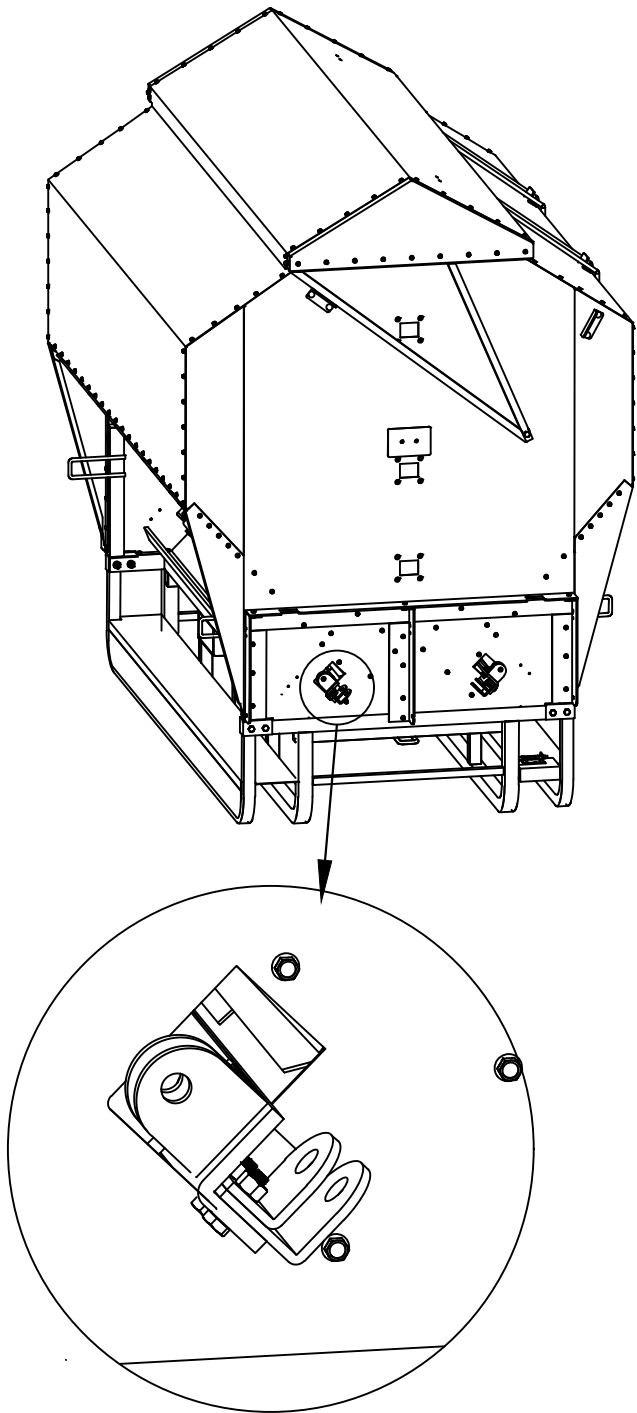


8x M8X35



8x M8





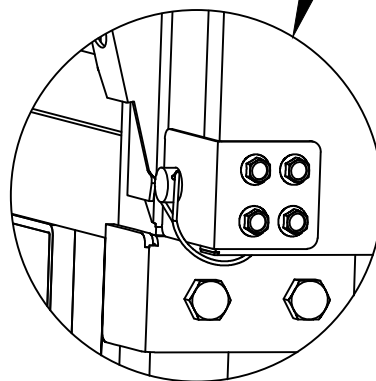
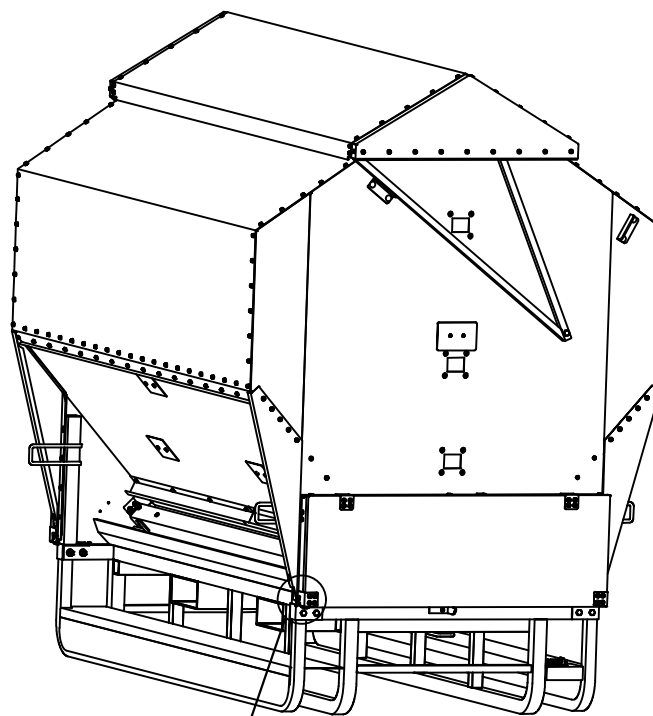
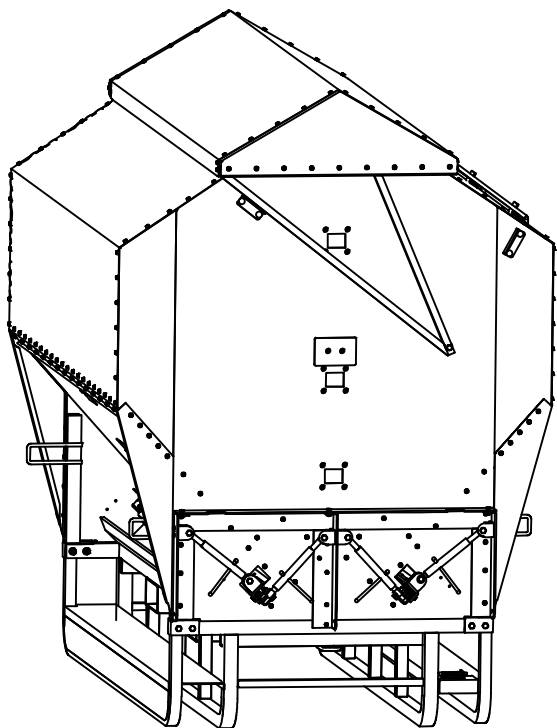
3000L/4200L-30

R1x4 

R2x4 

16x M14x45 

16x M14 



3000L/4200L-31

R3x4



R4x4



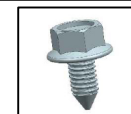
R5x2

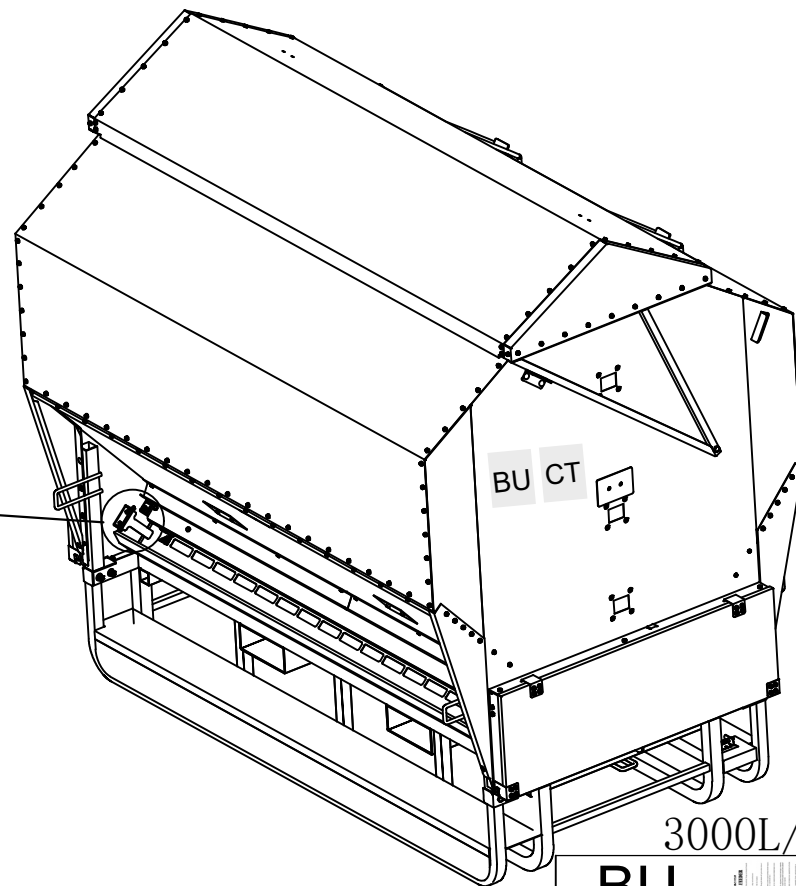
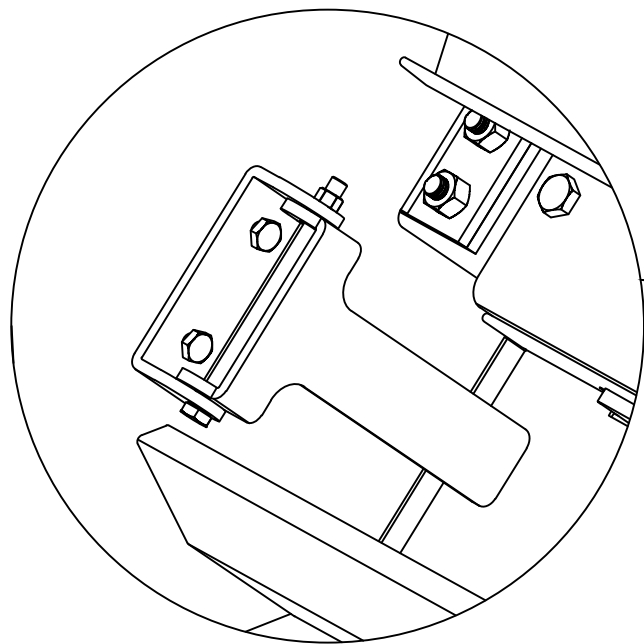


M10Dx4



32xM5.5x20







3000L/4200L-32

BU 

CT 

S1x2 

S2x4 

8x M6x16 

8x M16 