

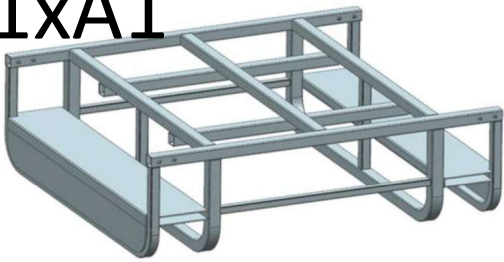


**1250L ULTIMATE**

**Assembly Instructions**

# 1250L

1xA1



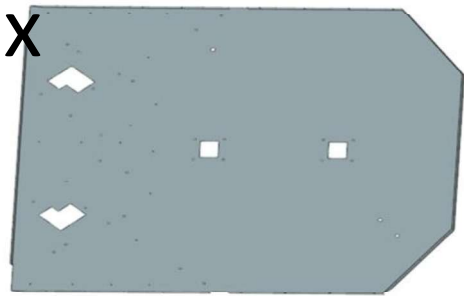
2x



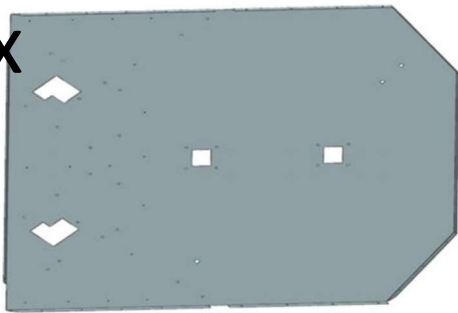
2x



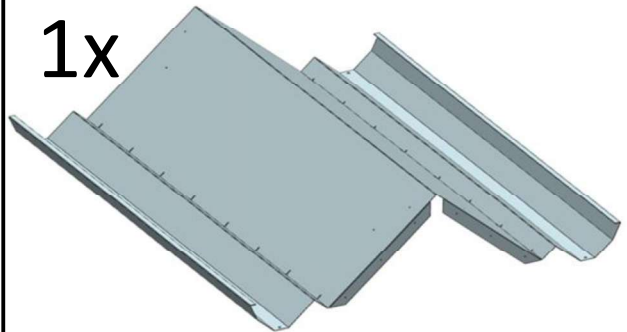
1x



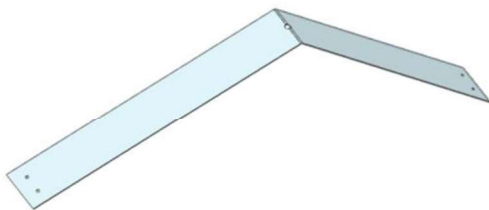
1x



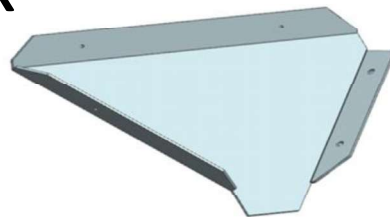
1x



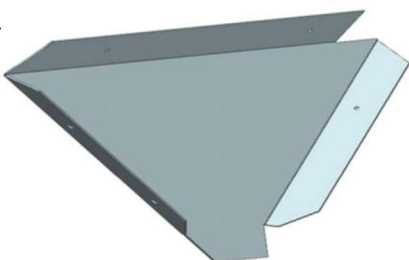
2x



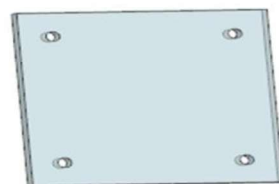
2x



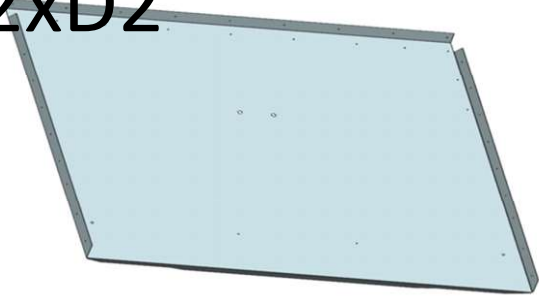
2x



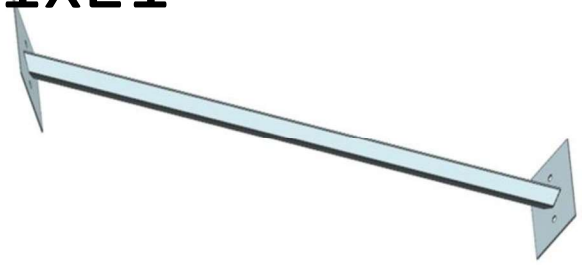
4xD1



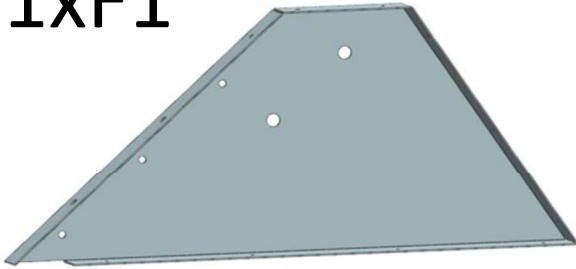
2xD2



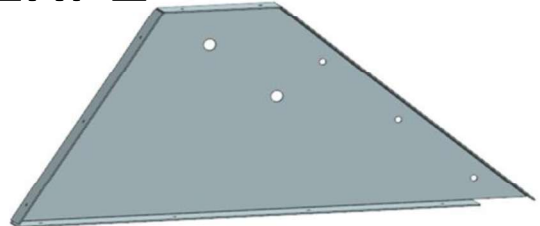
1xE1



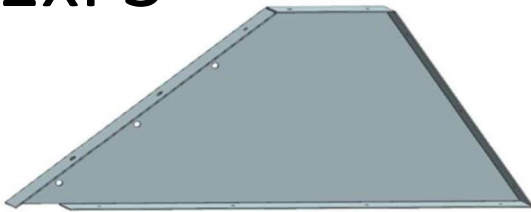
1xF1



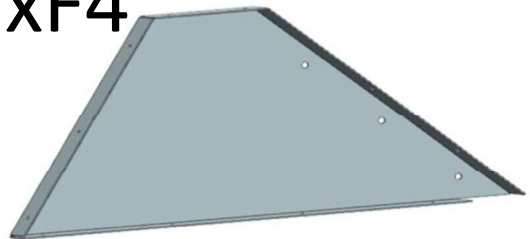
1xF2



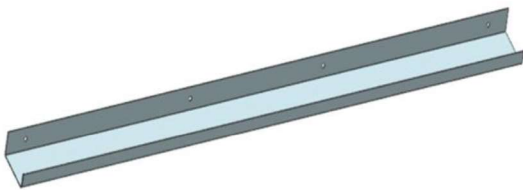
1xF3



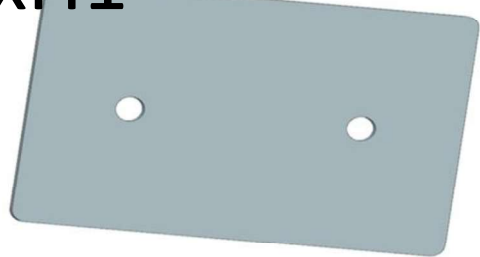
1xF4



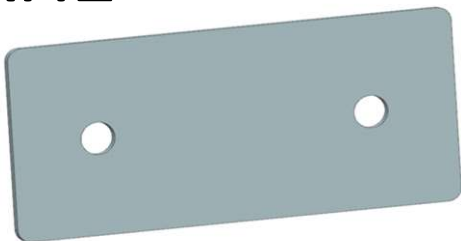
2xG1



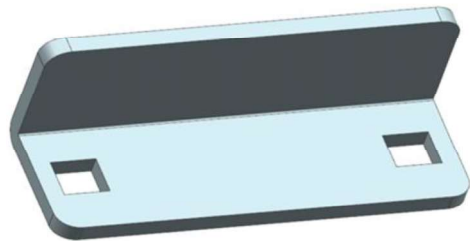
4xH1



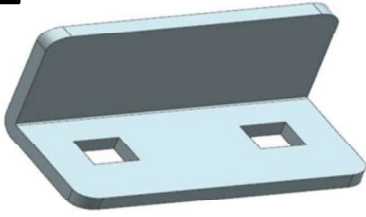
2xH2



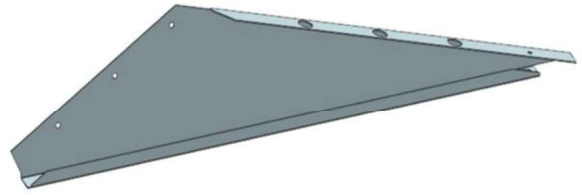
4xi1



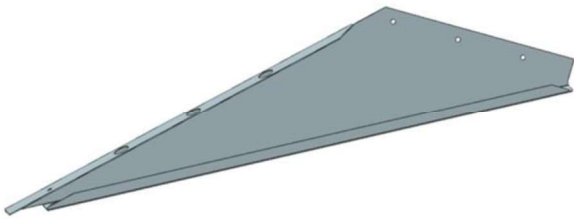
1xi2



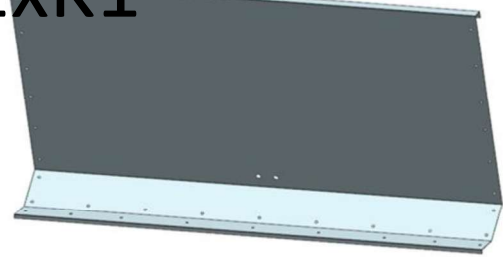
2xJ1



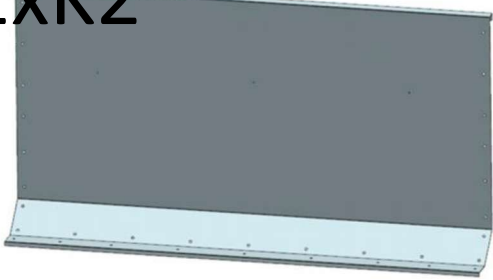
2xJ2



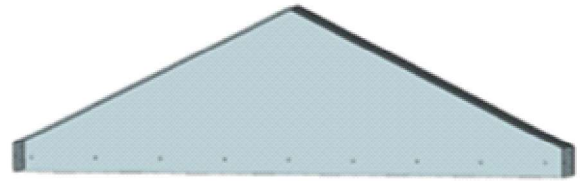
1xK1



1xK2



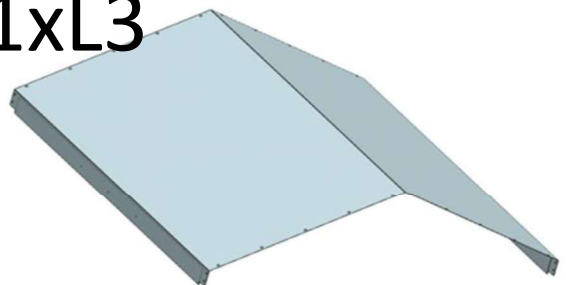
2xL1



2xL2



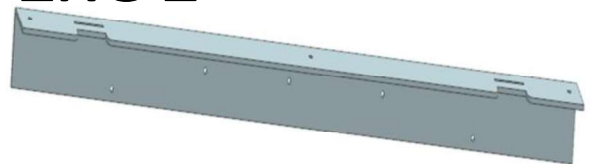
1xL3



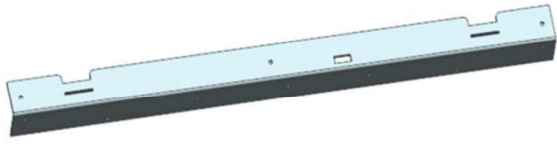
1xN1



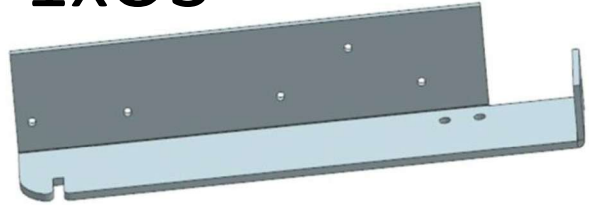
1xO1



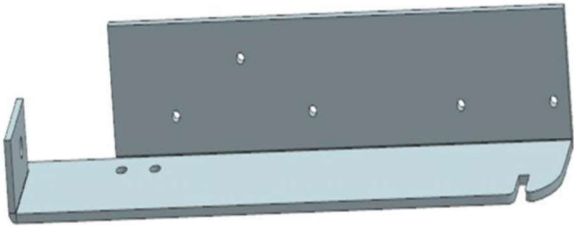
1xO2



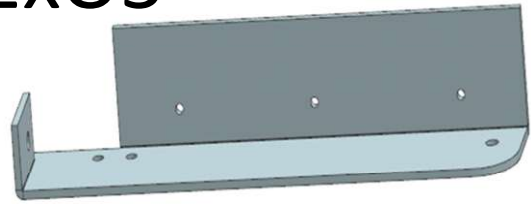
1xO3



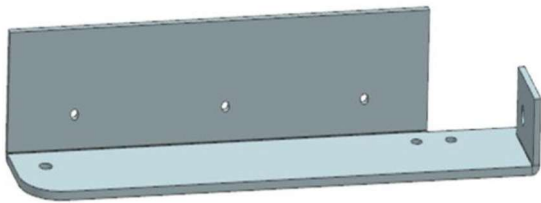
1xO4



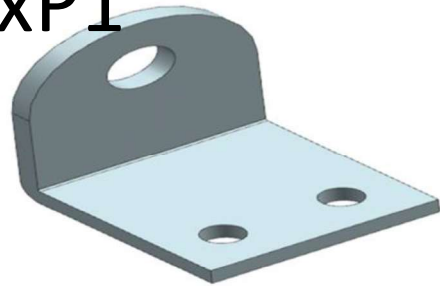
2xO5



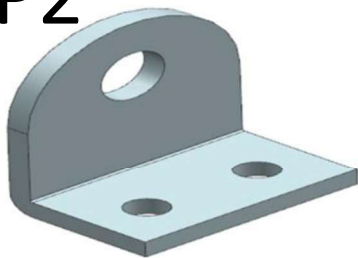
2xO6



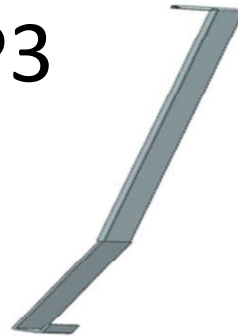
16xP1



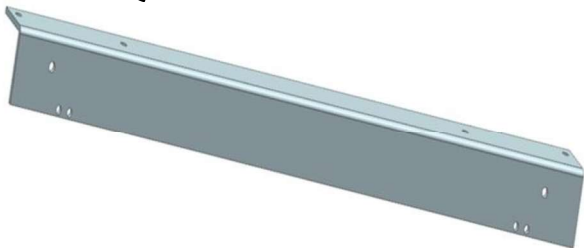
16xP2



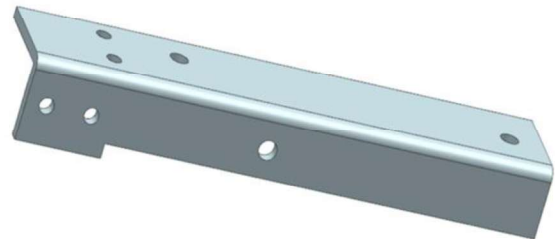
1xP3



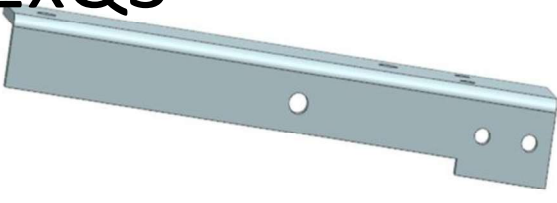
2xQ1



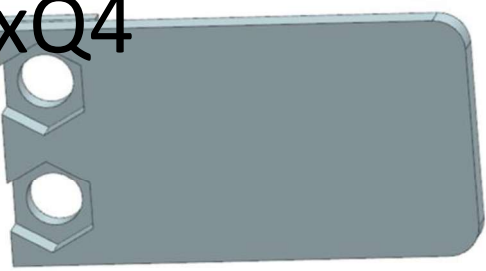
2xQ2



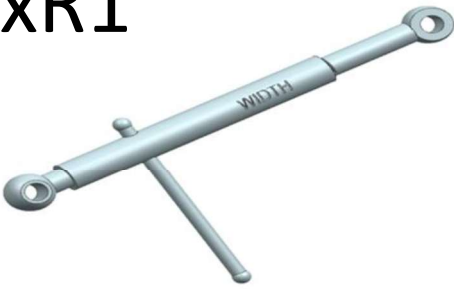
2xQ3



4xQ4



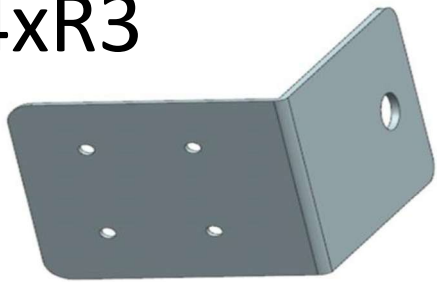
4xR1



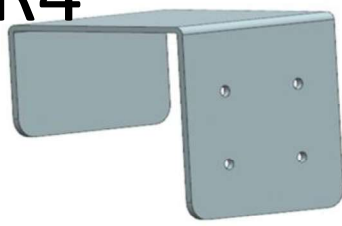
4XR2



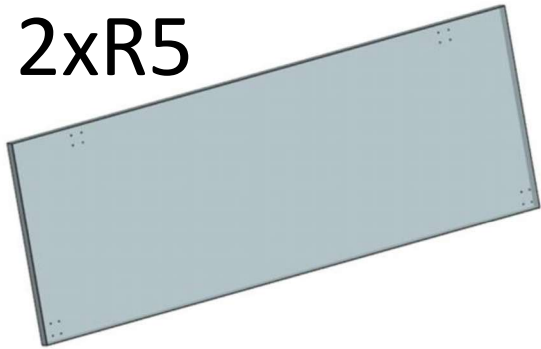
4xR3



4xR4



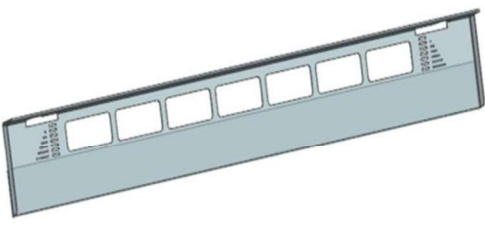
2xR5



4xS1

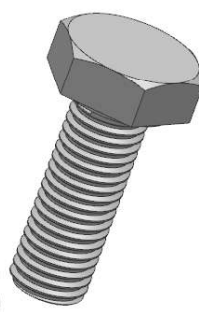


2xS2

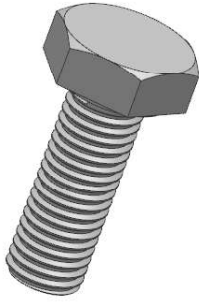


16x

M14x45

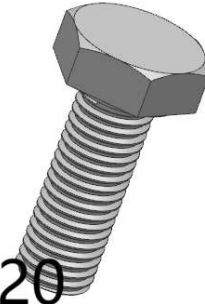


6x



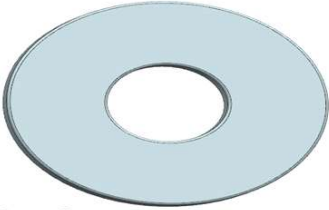
M8x20

4x



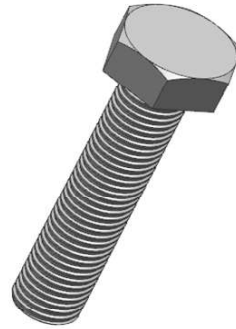
SS M8x20

14x



12x32x2

36x



M8x35

24x



M6x16

2x



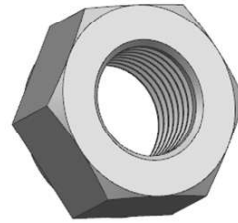
M12x50

8x



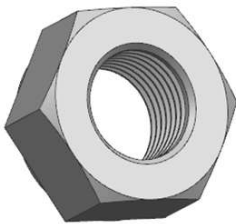
M12x60

24x



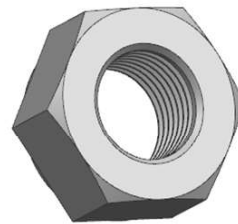
M6

42x

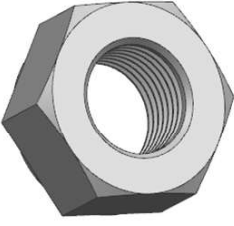
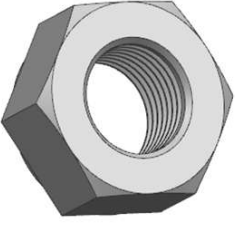
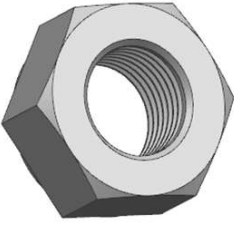

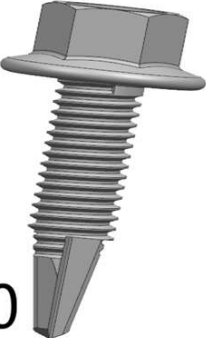
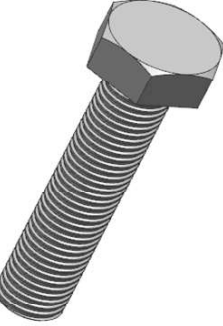
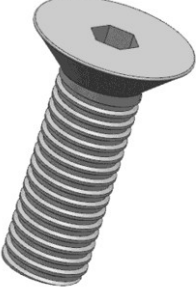
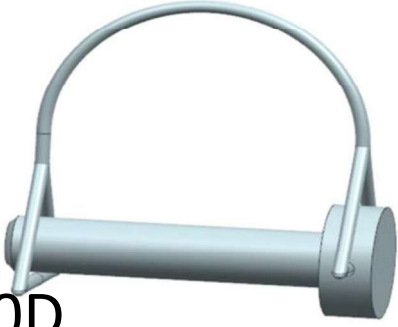
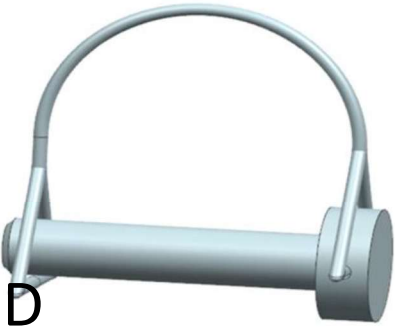
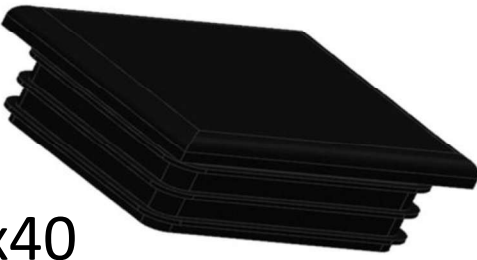


M8

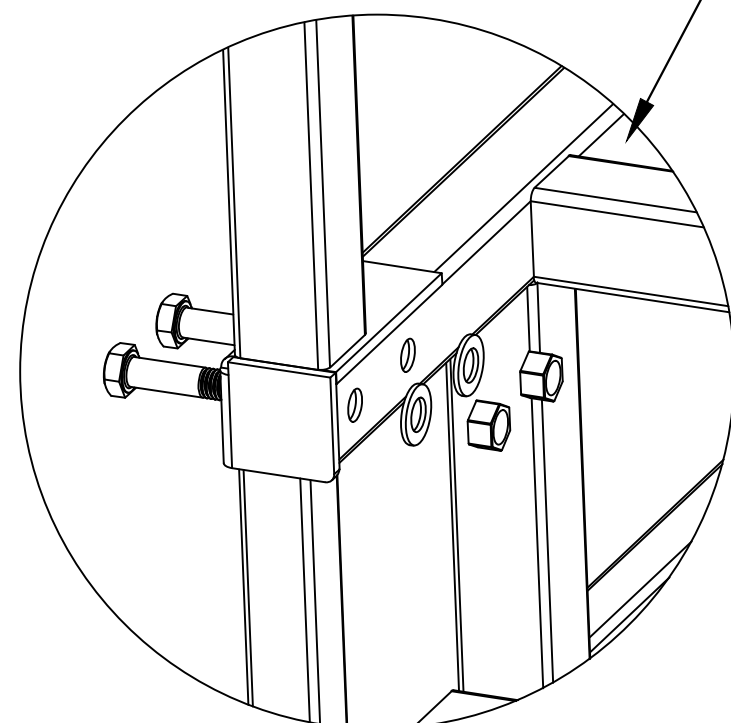
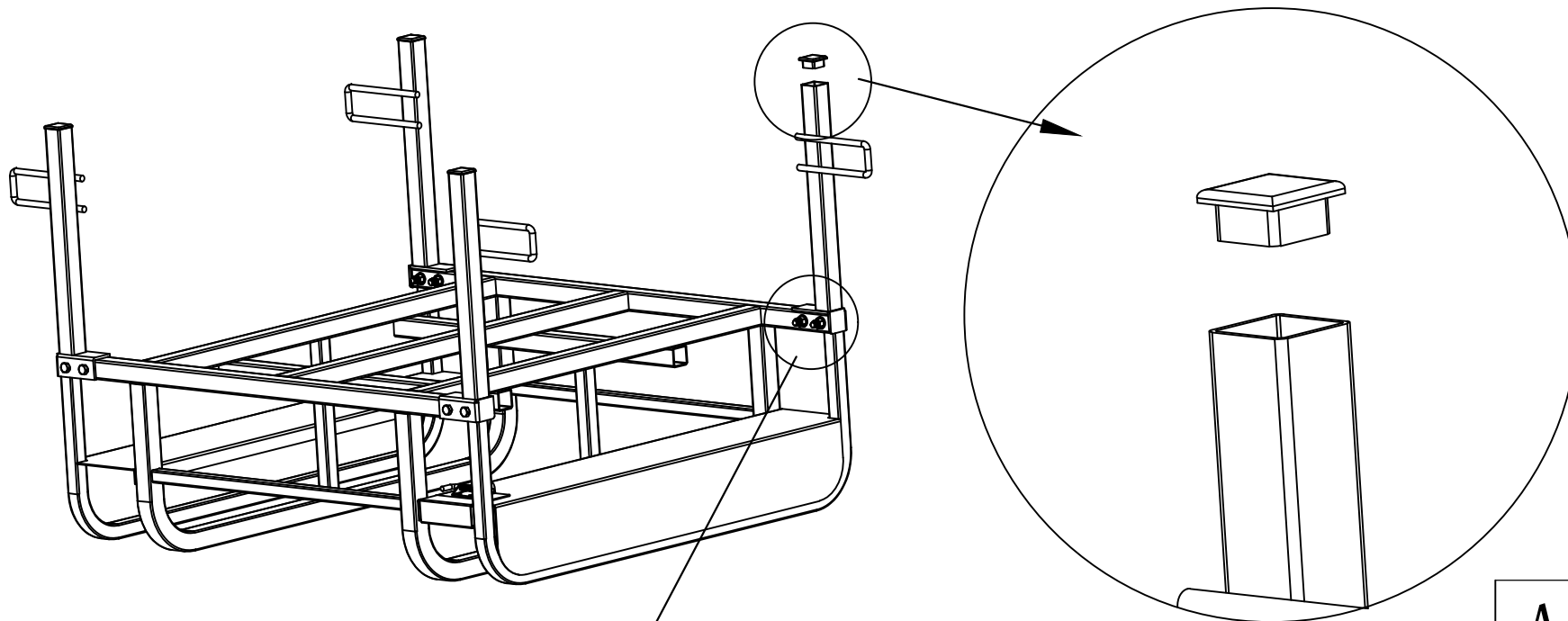
16x



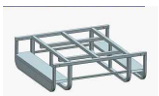


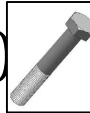



M14

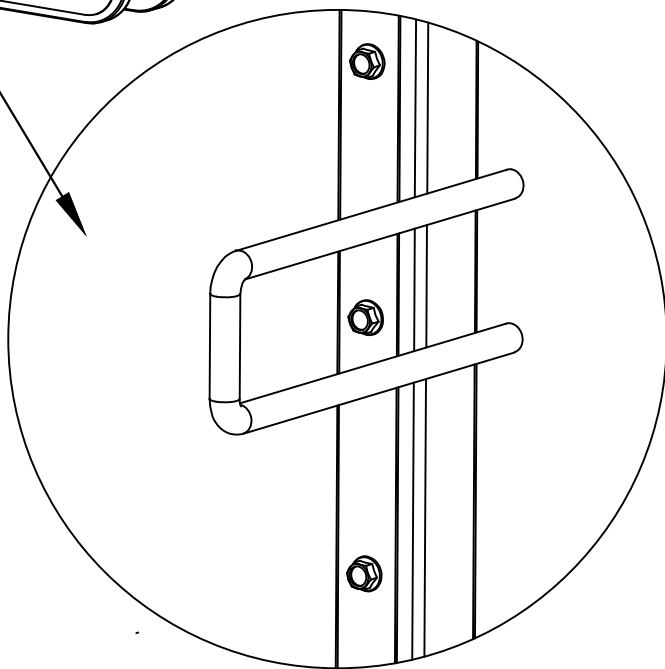
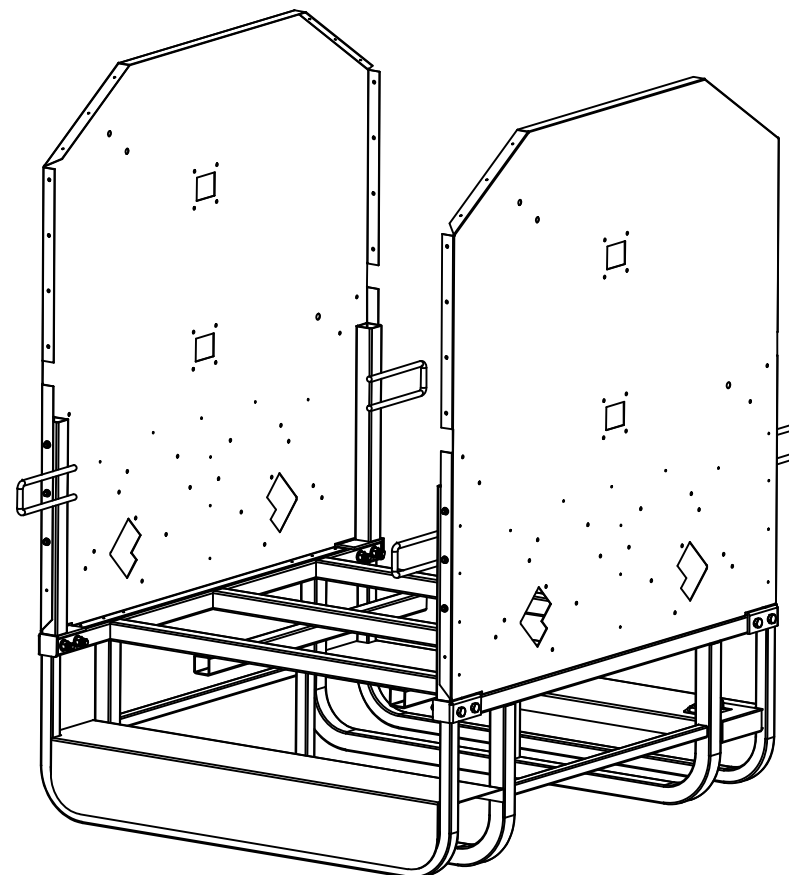
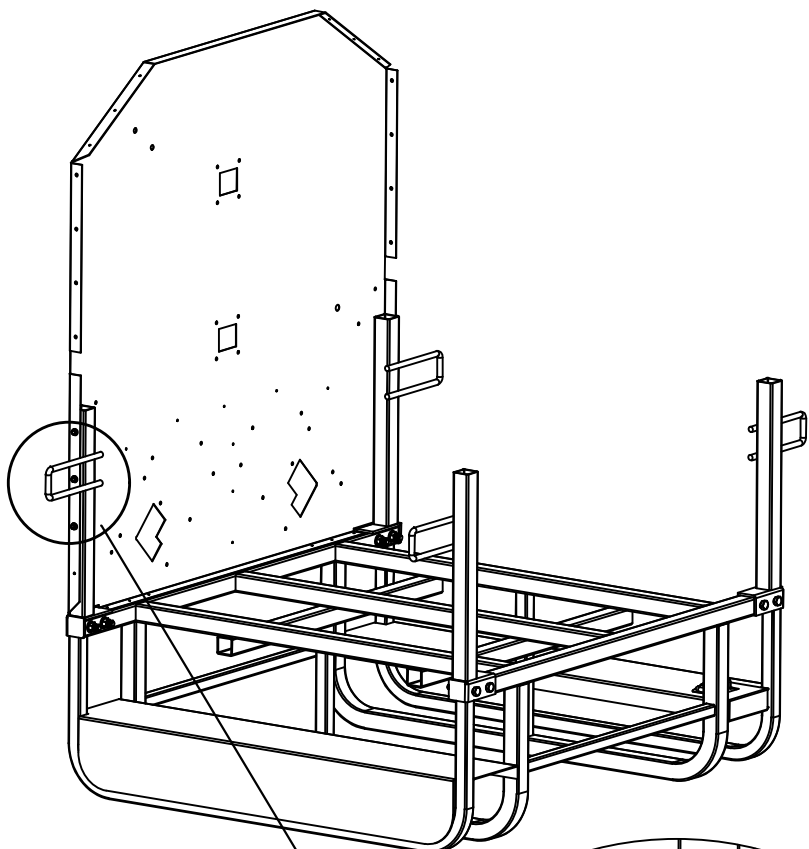
<p>4x</p>  <p>SS M8</p>	<p>10x</p>  <p>M12</p>
<p>22x</p>  <p>M10</p>	<p>10x</p>  <p>M10x25</p>
<p>320x</p>  <p>M5.5x20</p>	<p>8x</p>  <p>M10x30</p>
<p>4x</p>  <p>M10x30</p>	<p>4x</p>  <p>M10D</p>
<p>4x</p>  <p>M6D</p>	<p>4x</p>  <p>40x40</p>





1250L-01

A1x1	
A2x2	
A3x2	
8x M12x70	
8x32x12x2	
8x M12	
4x 40x40	

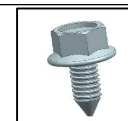


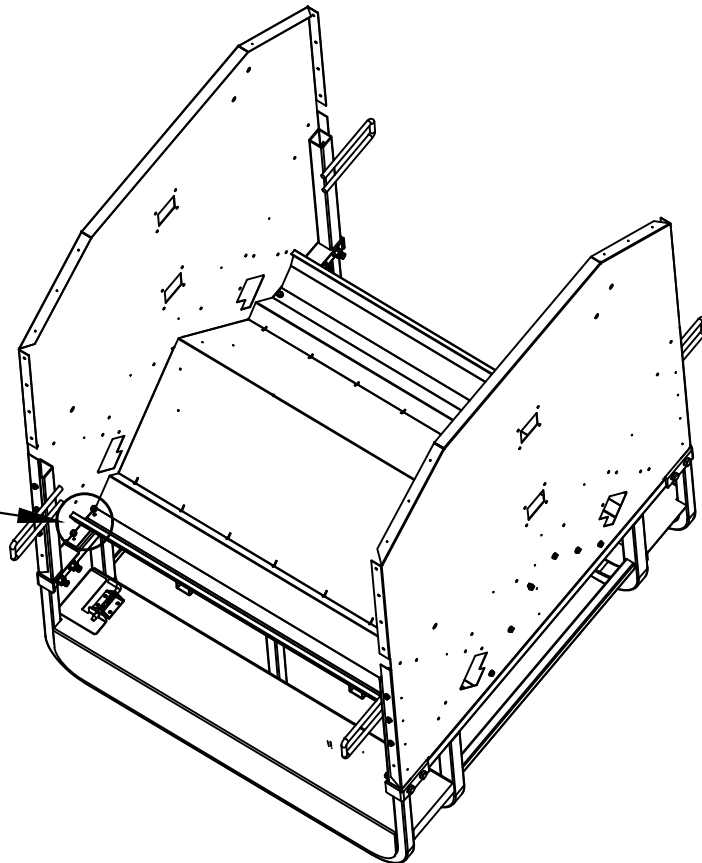
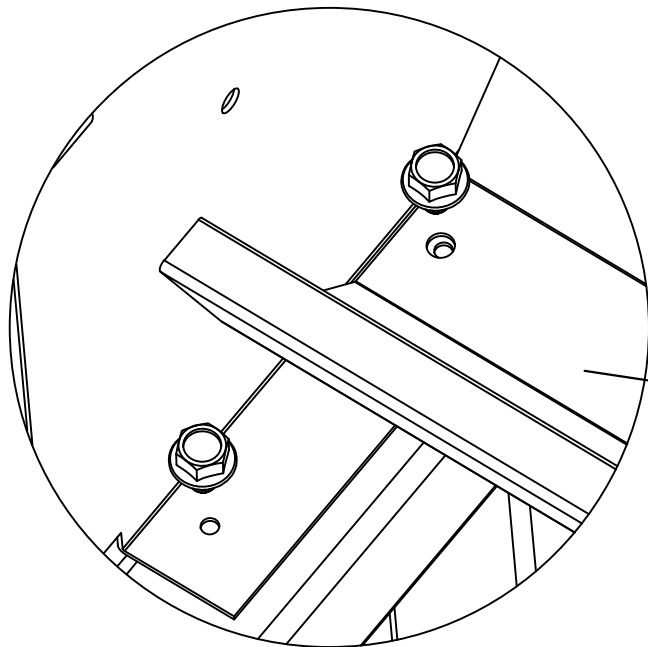
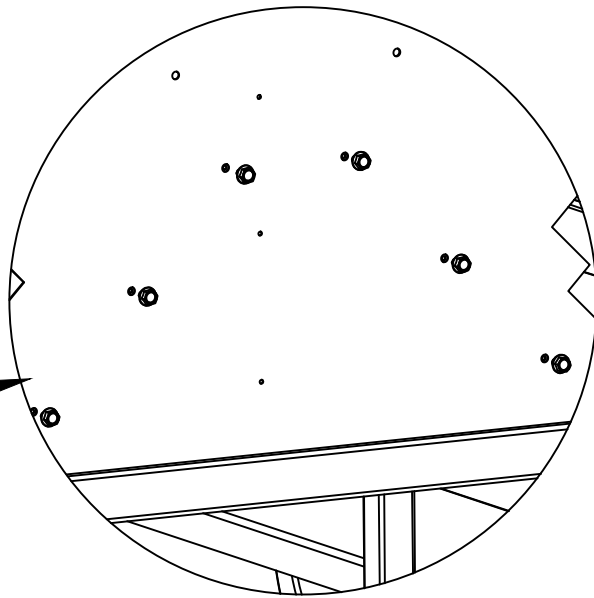
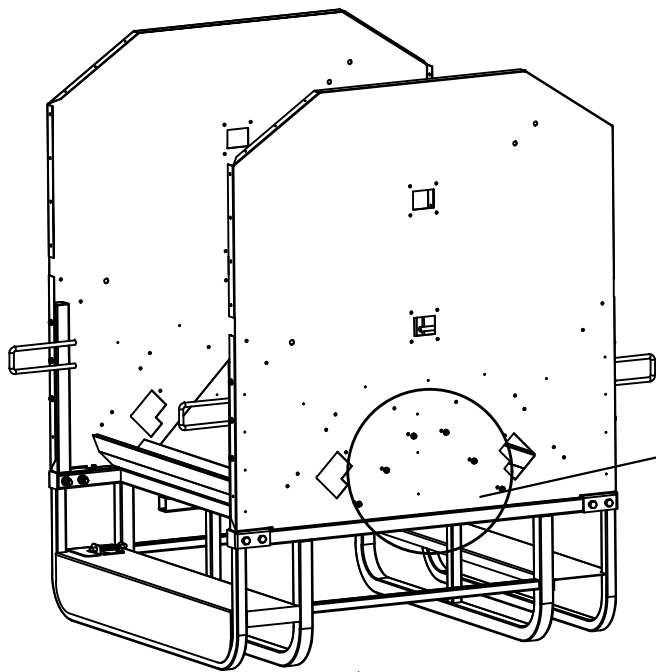
1250L-02

B1x1 

B2x1 

12x M5.5x20



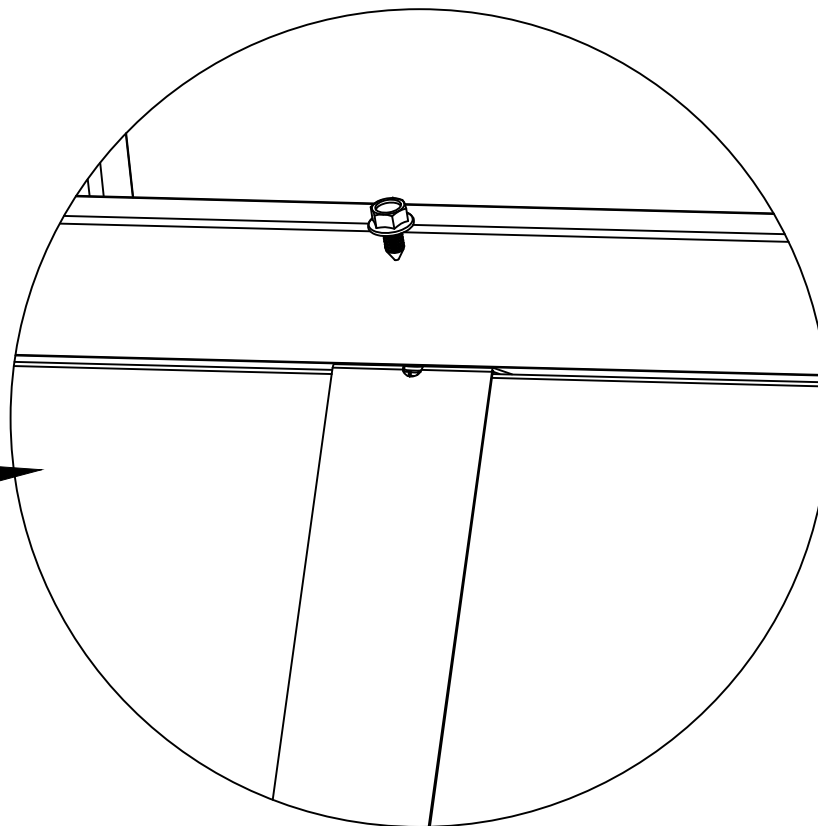
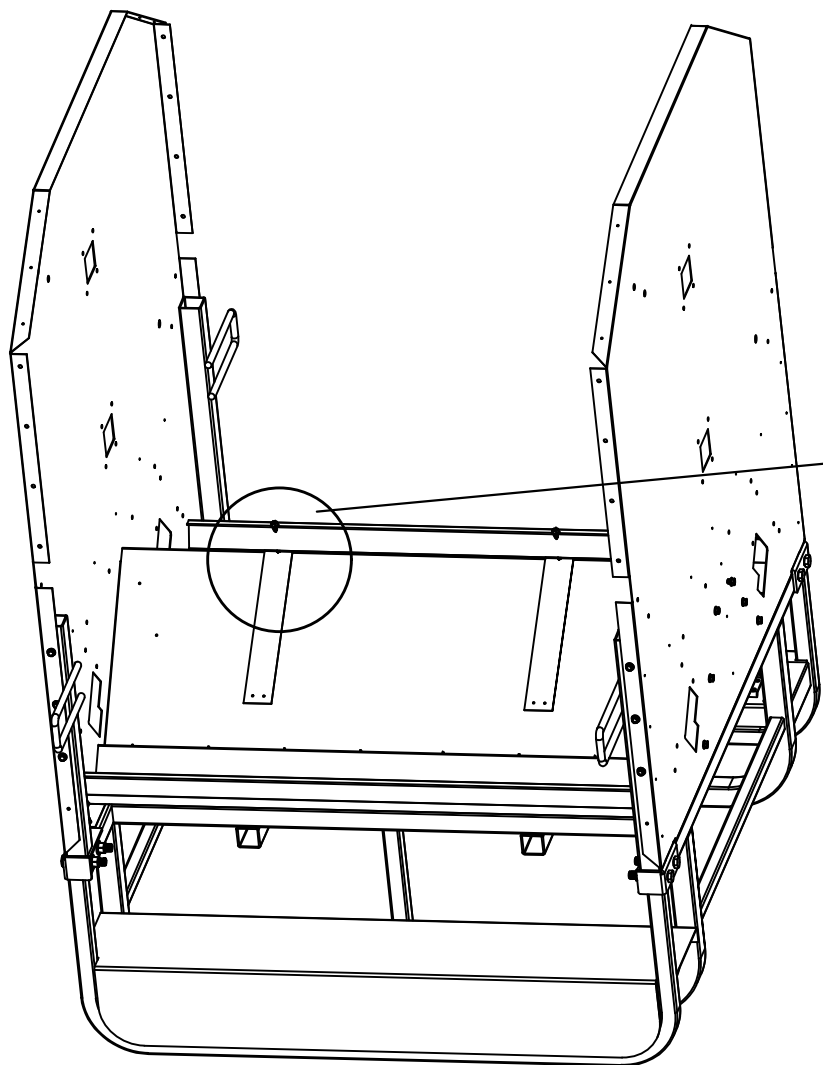


1250L-03

C1x1 

20x M5. 5x20

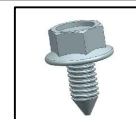


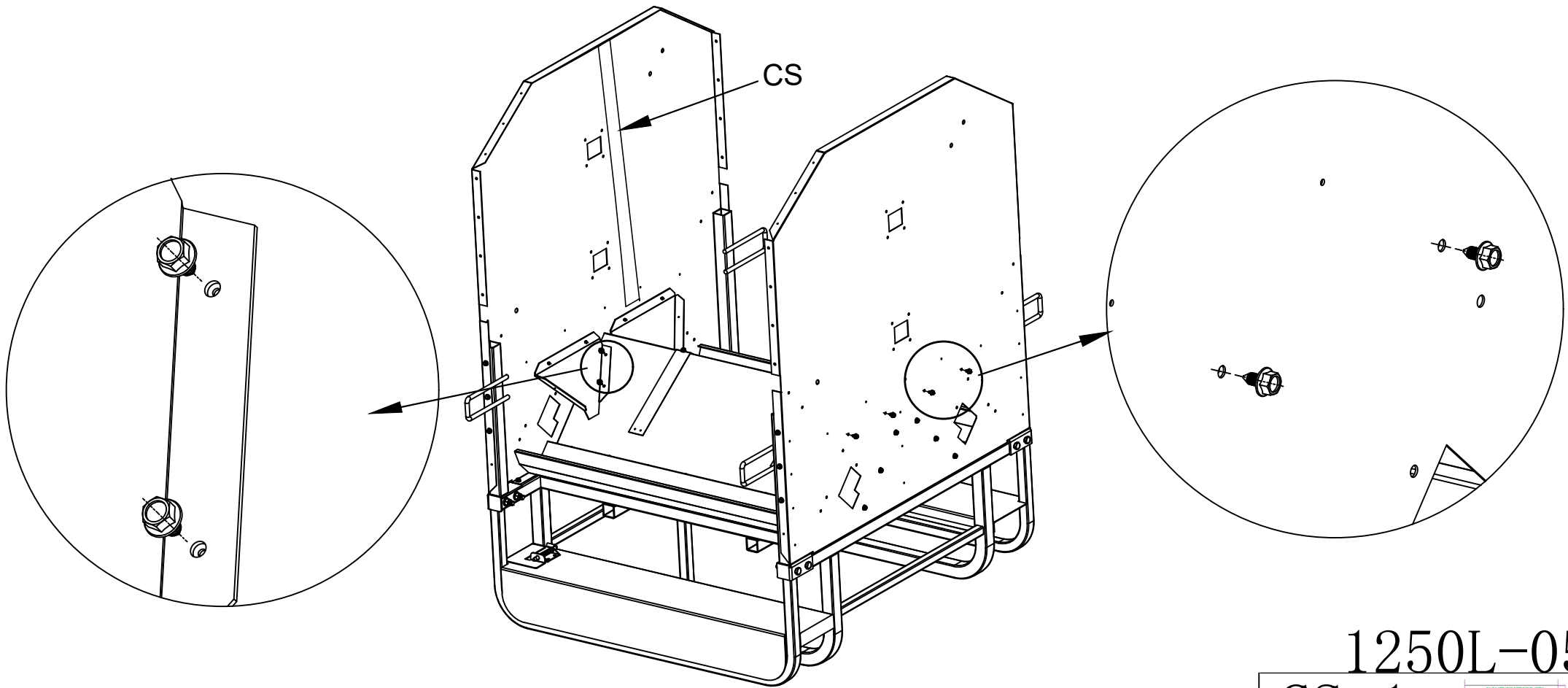


1250L-04

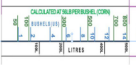
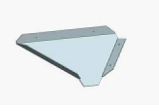
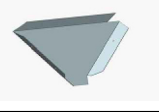

C2x2 

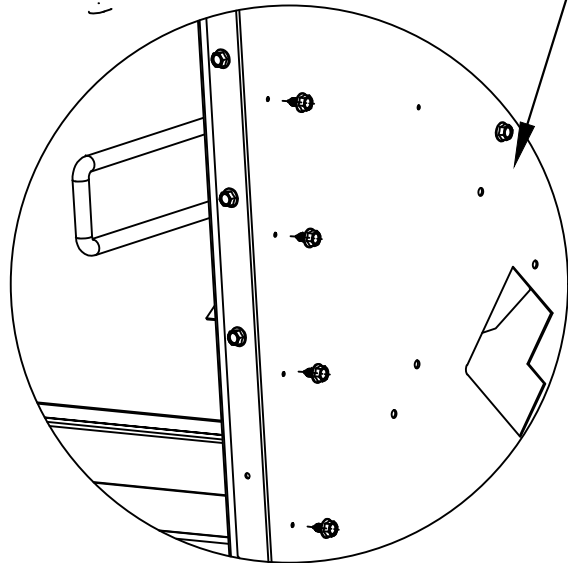
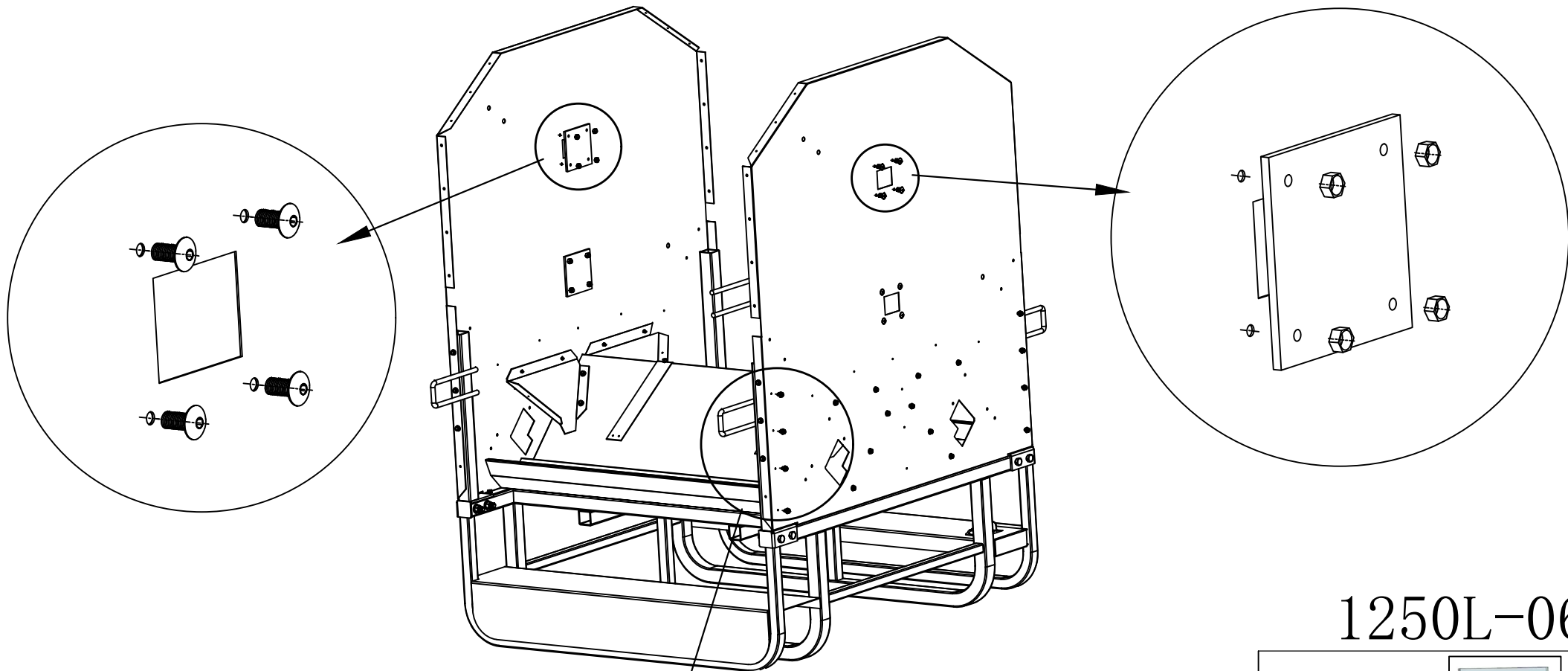
2x M5.5x20





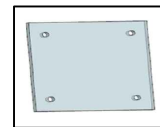
1250L-05

CSx1	
C3x2	
C4x2	
16x M5.5x20	
	



1250L-06

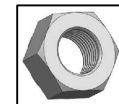
D1x4



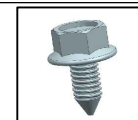
16x M6x16

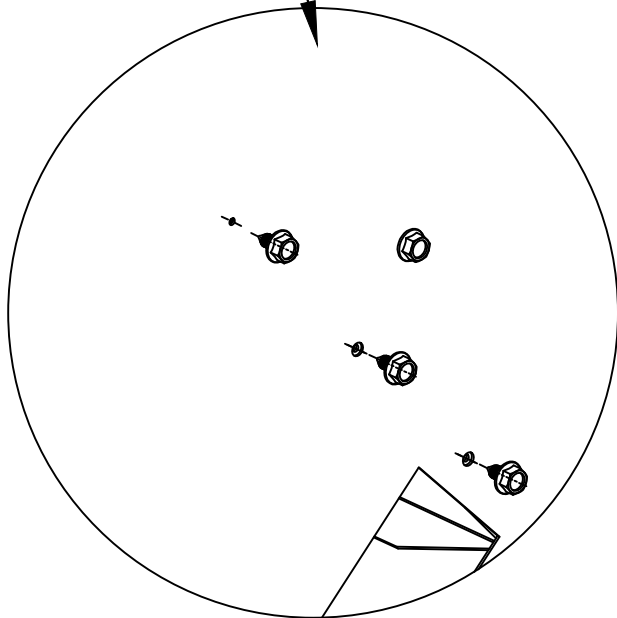
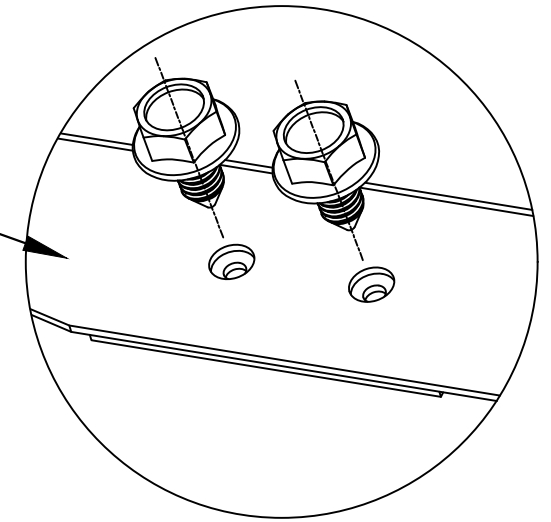
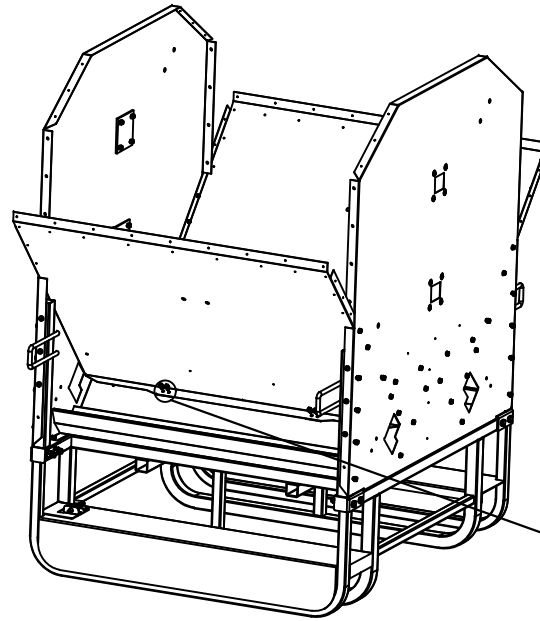
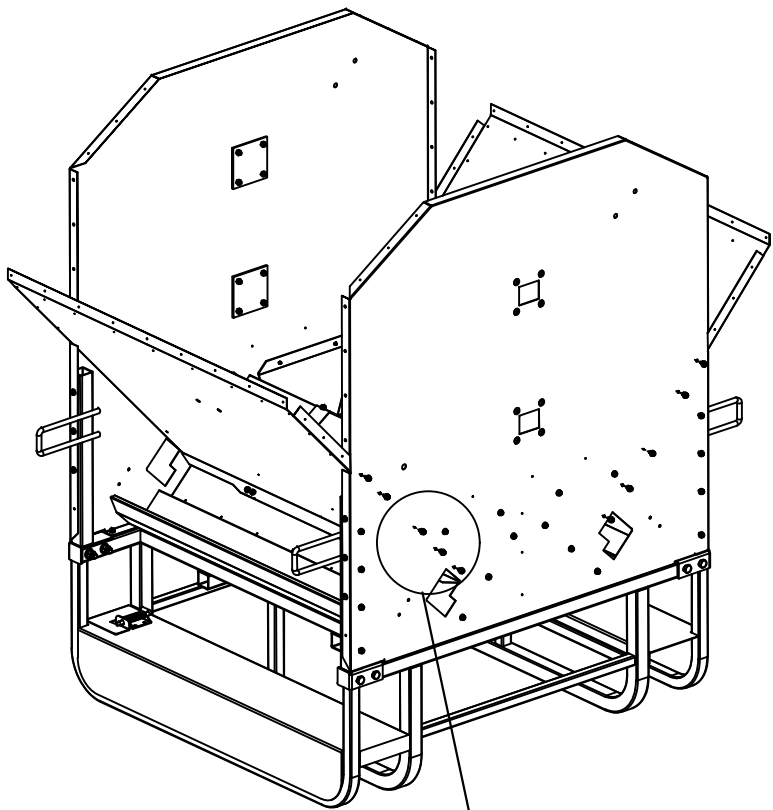


16x M6



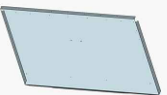
16x M5.5x20





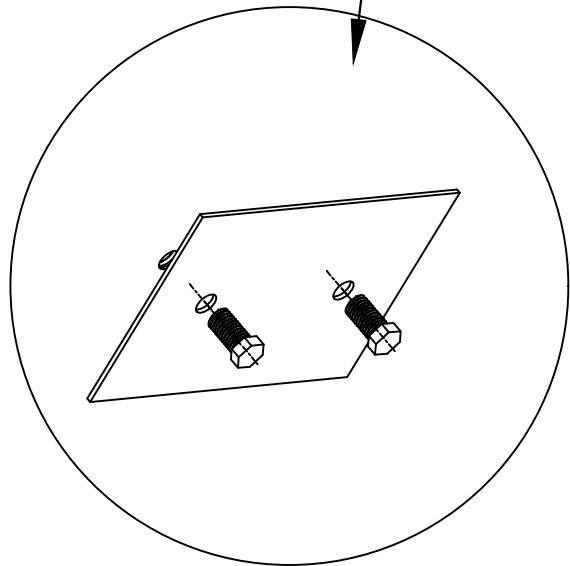
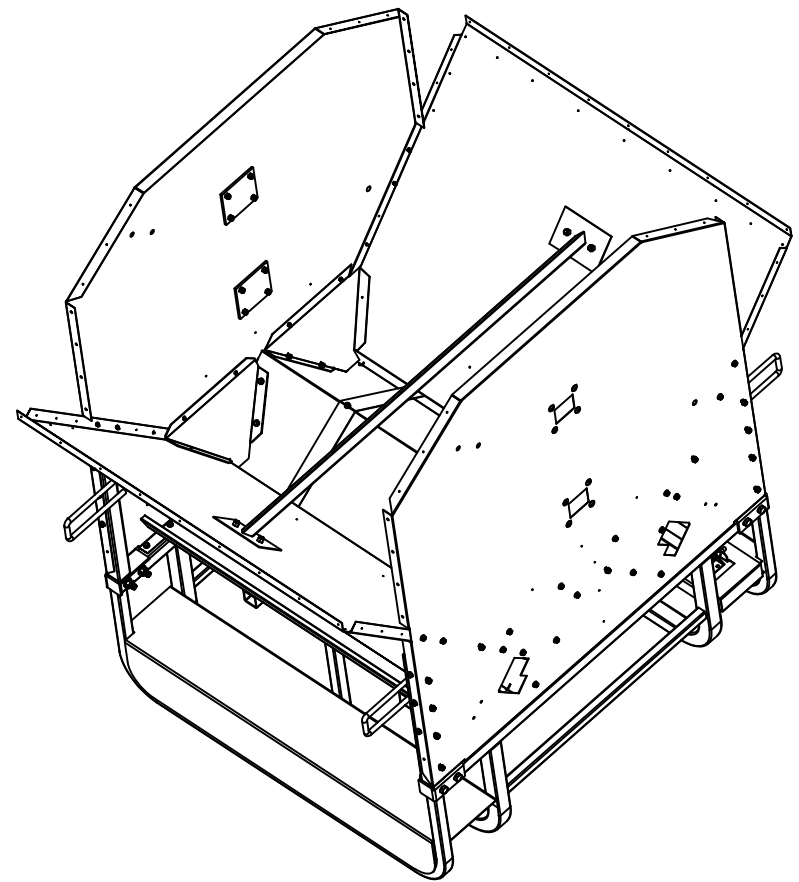
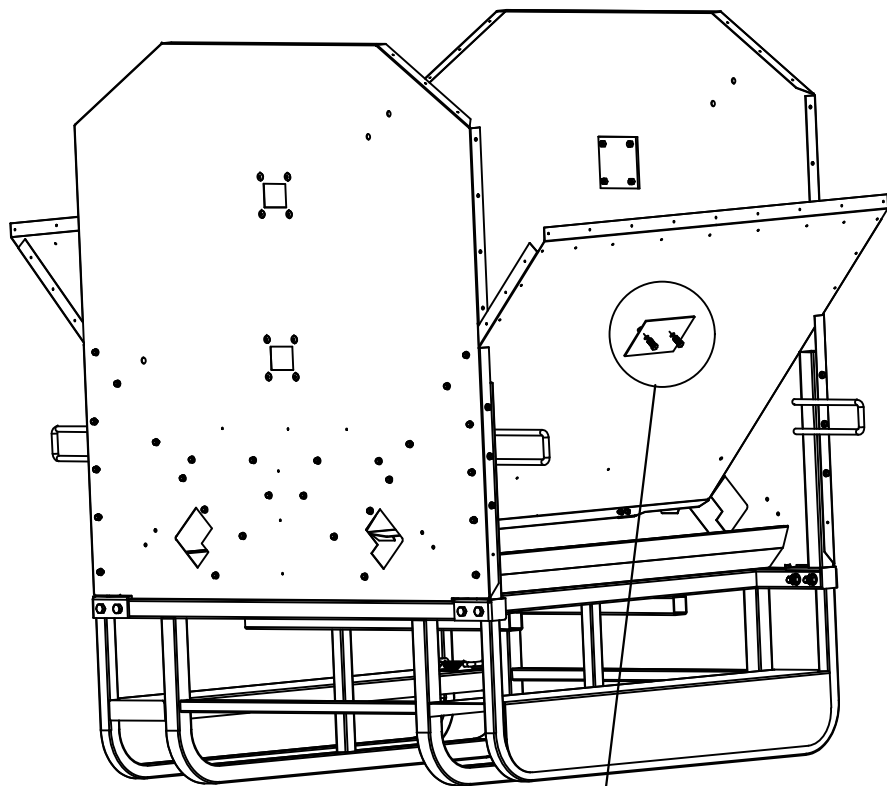
1250L-07

D2x2



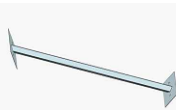
28x M5. 5x20





1250L-08

E1x1



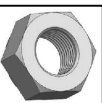
H1x2

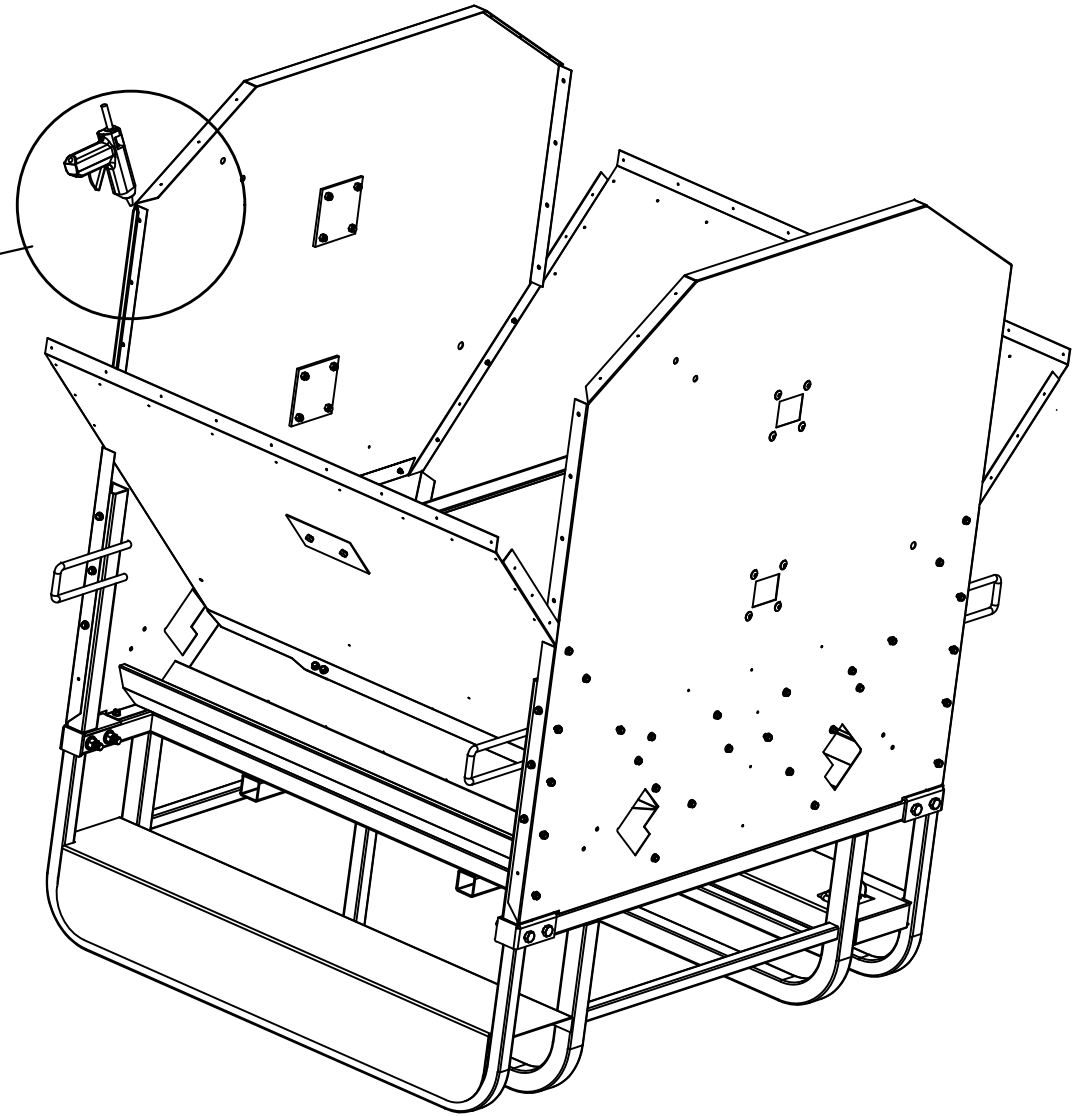
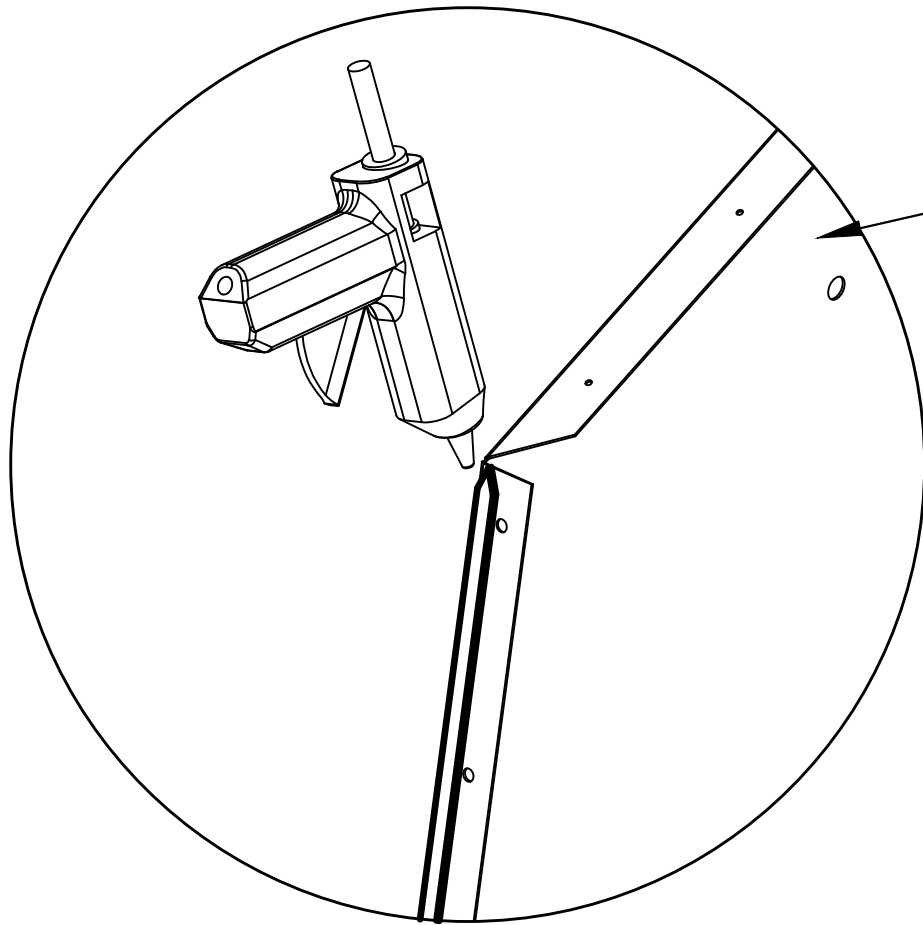


4xSSM8x20

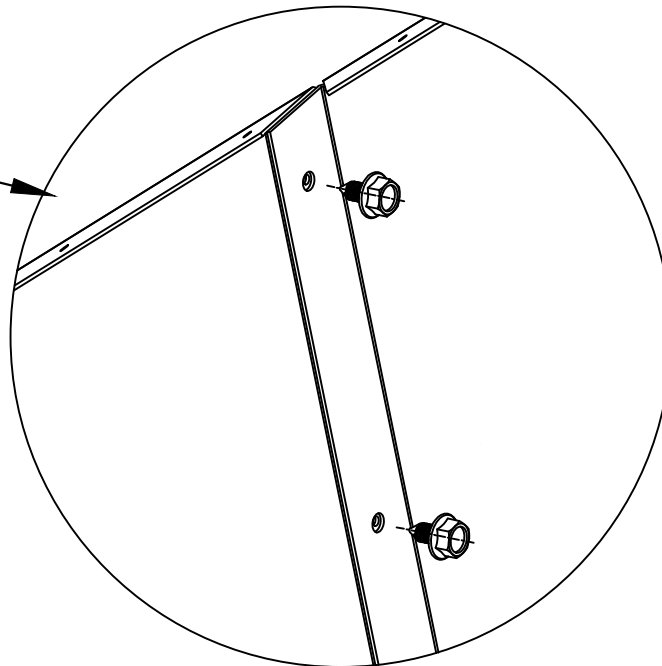
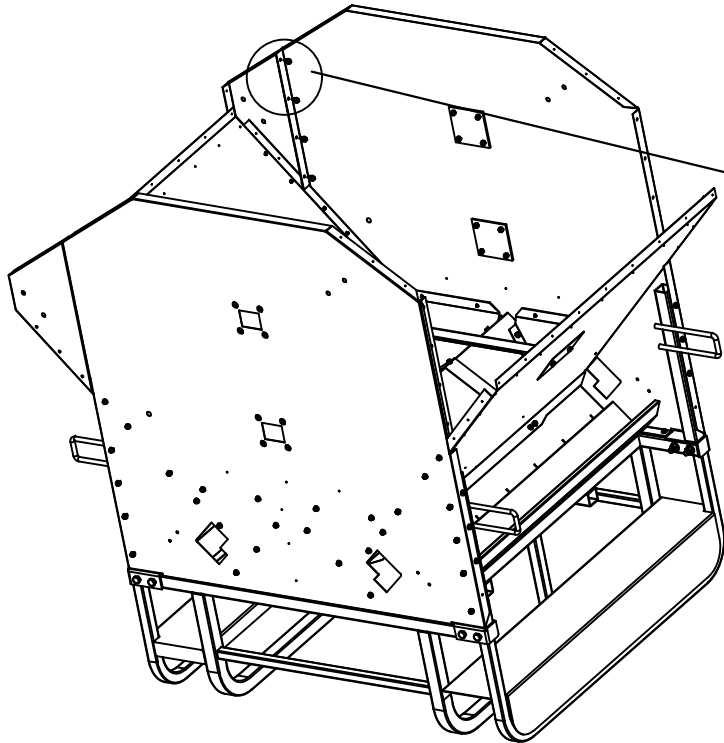
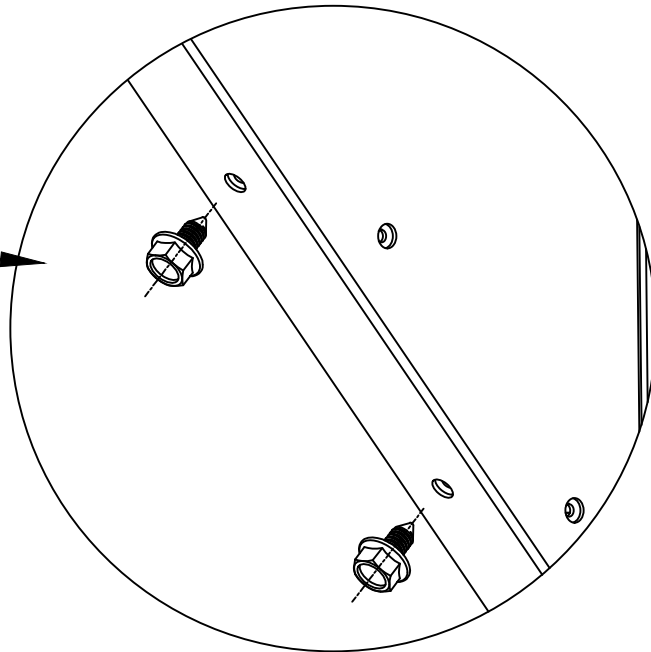
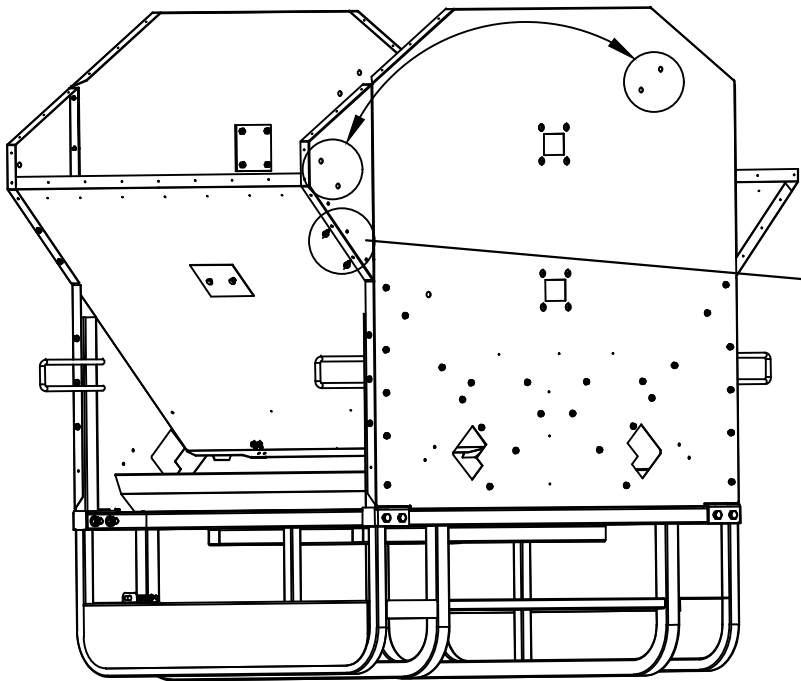


4x SSM8





1250L-09



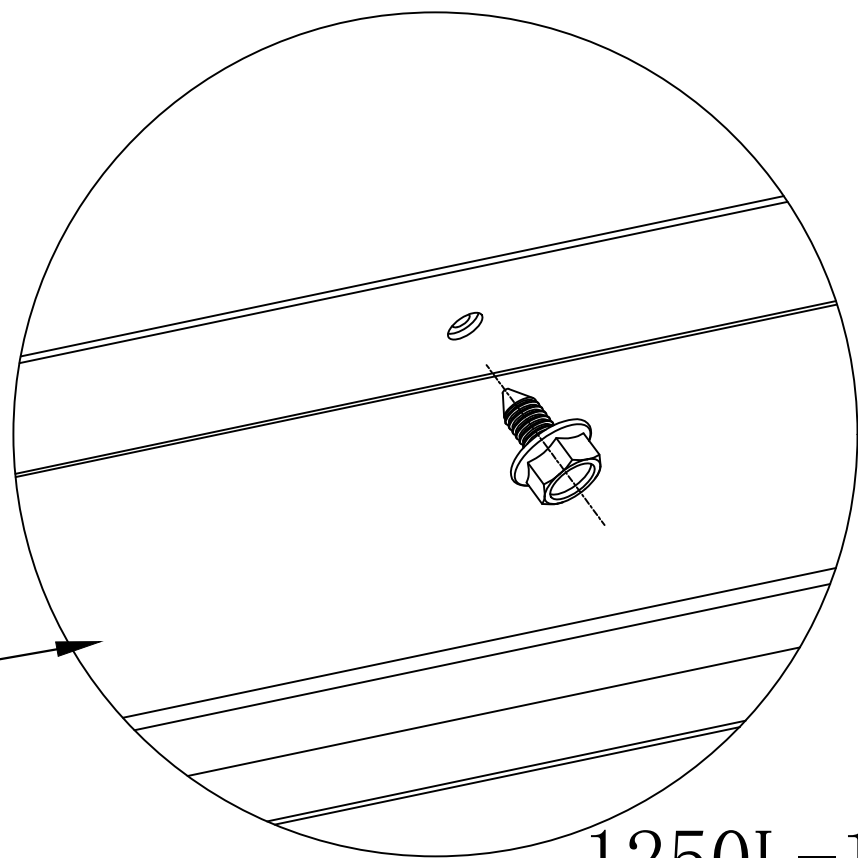
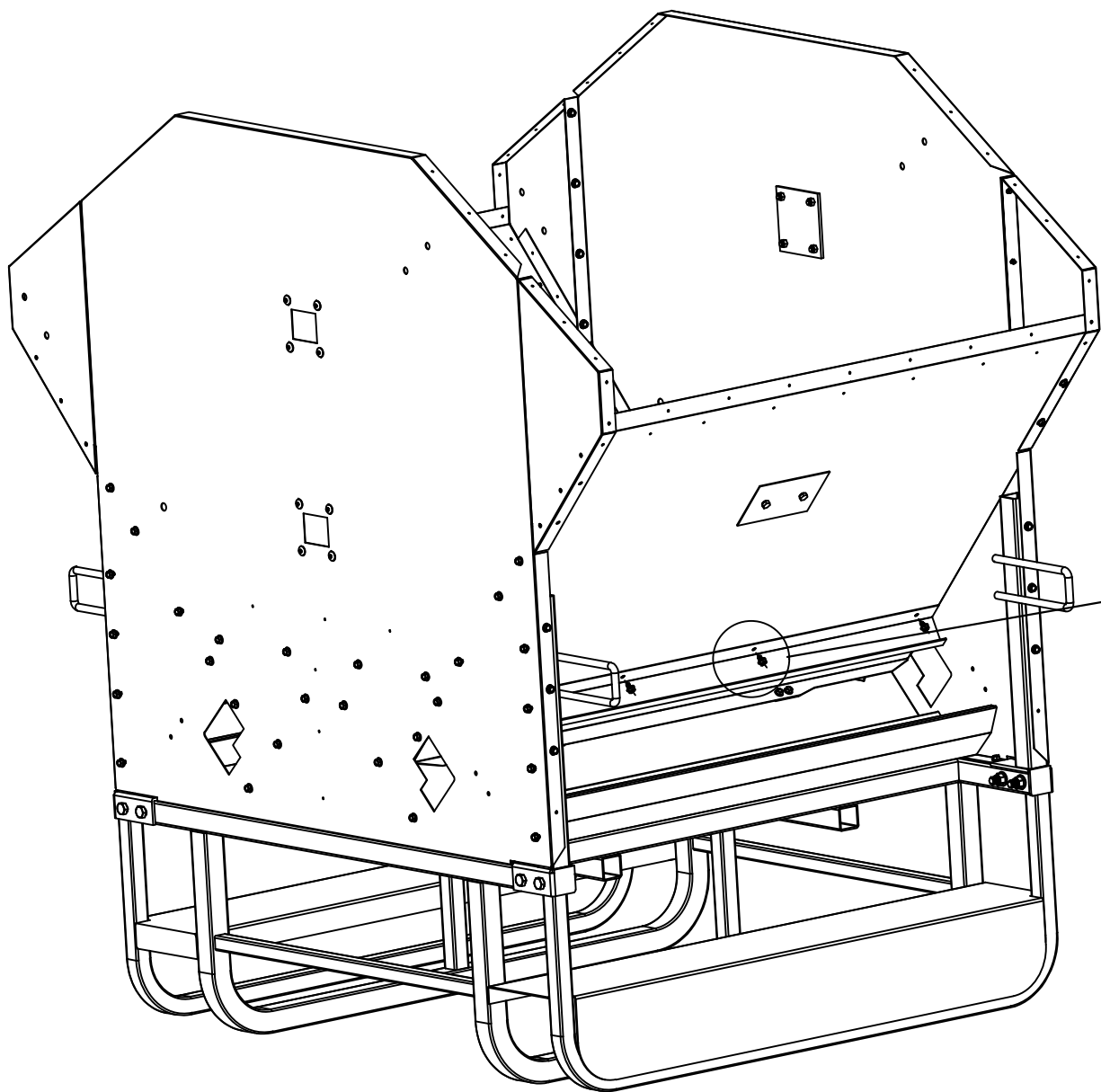
1250L-10

F1x1 


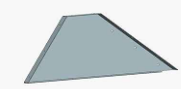


F2x1 

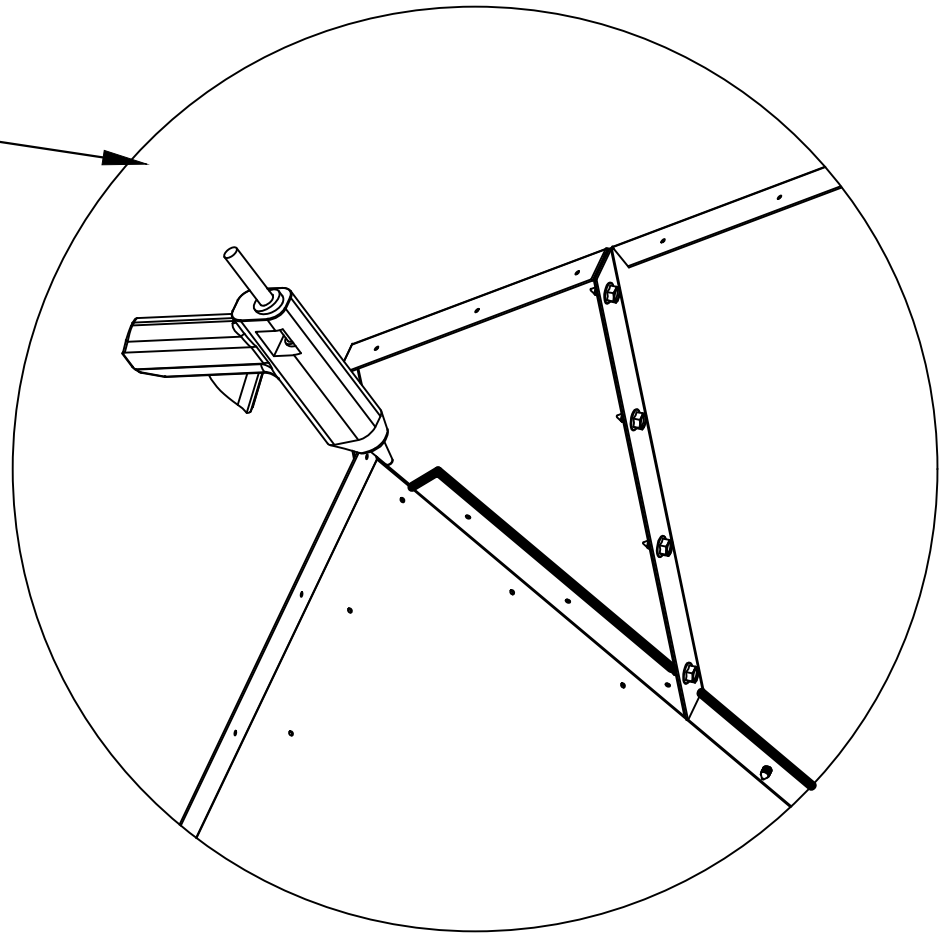
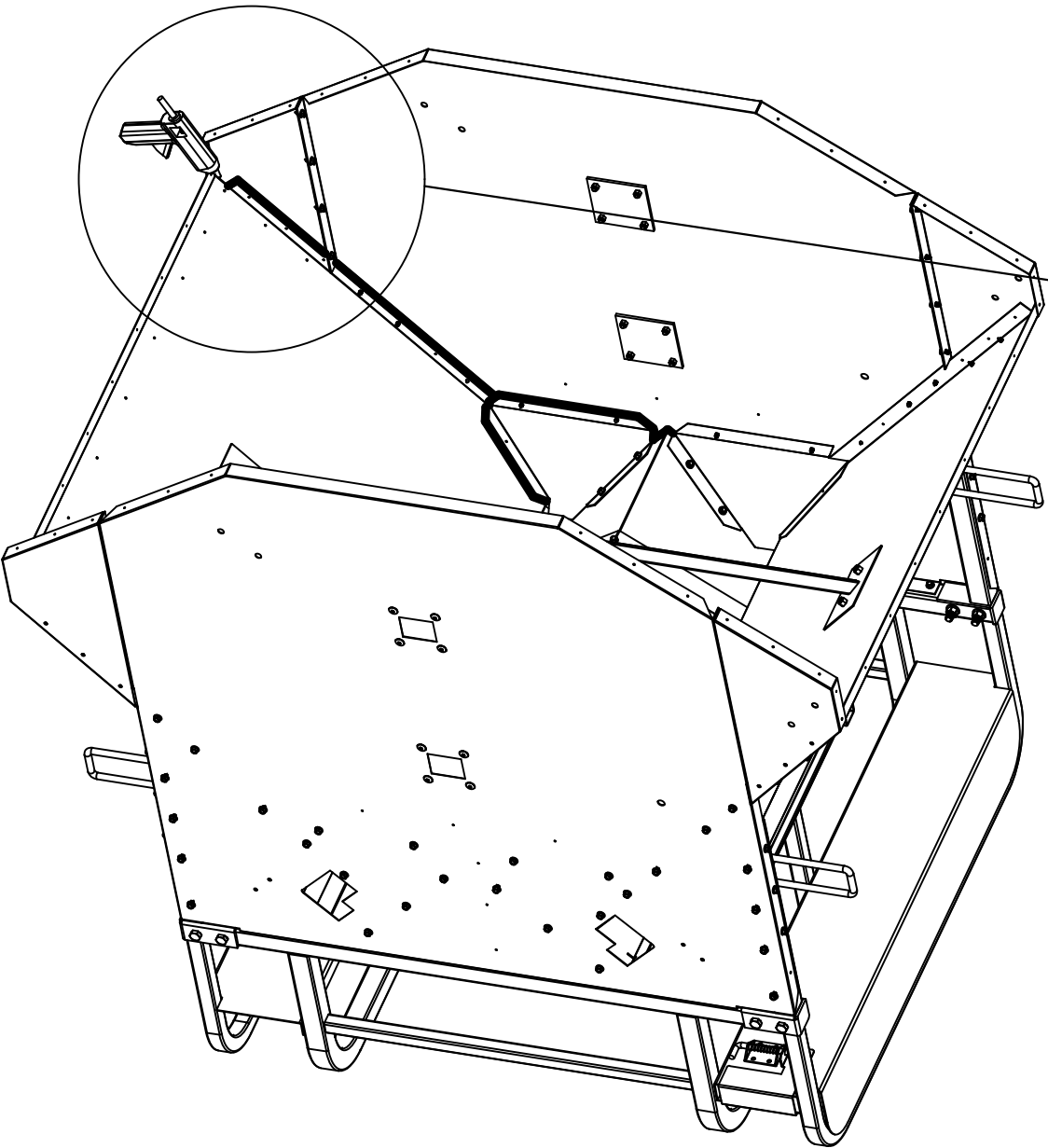
12x M5. 5x20



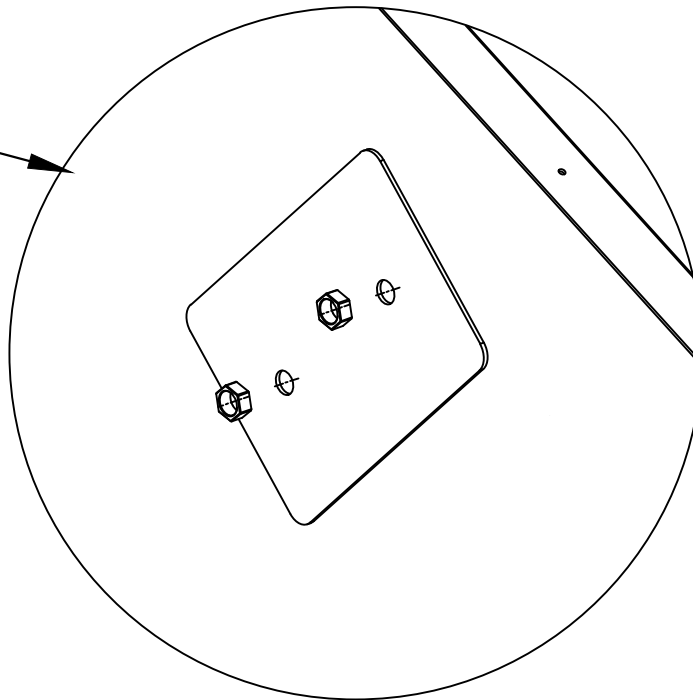
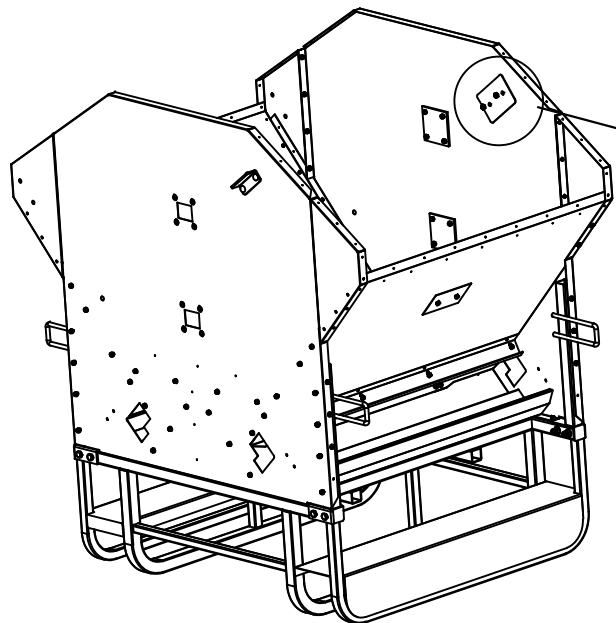
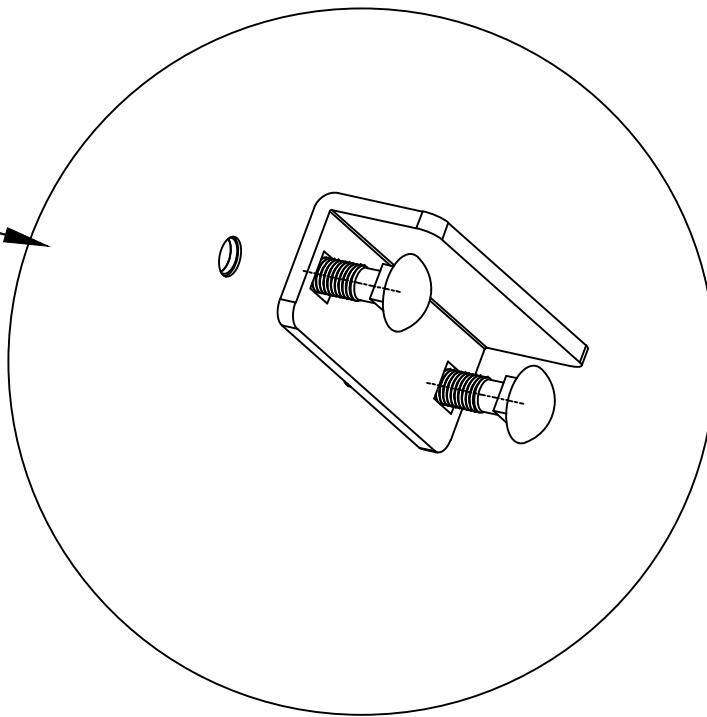
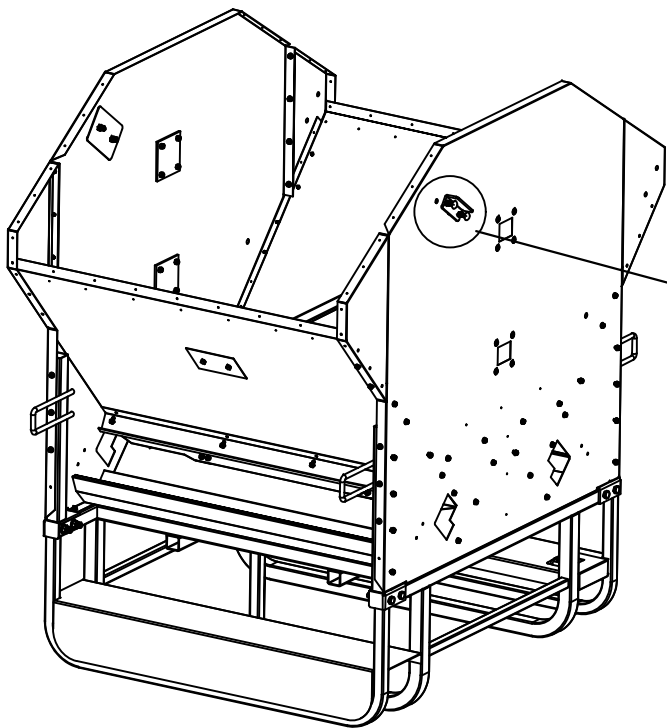


1250L-11

F3x1	
F4x1	
G1x2	
20x	M5.5x20
	



1250L-12



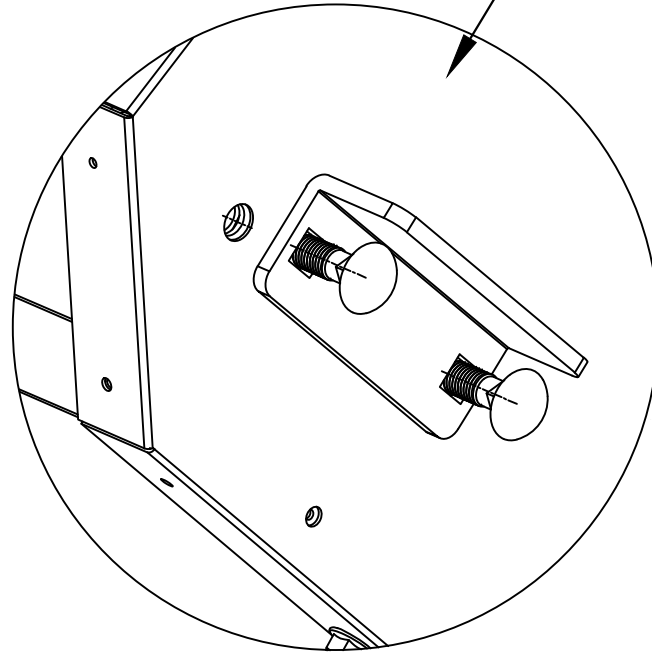
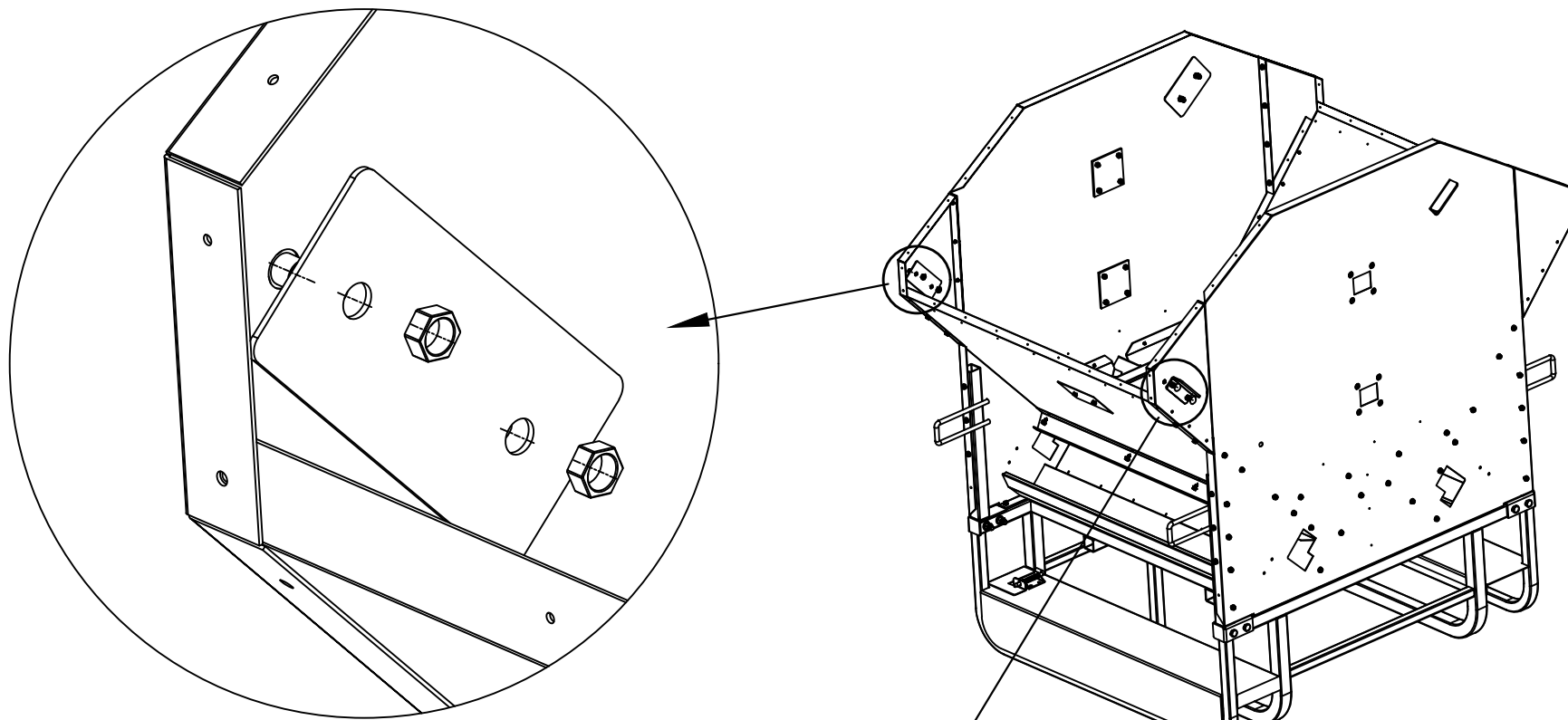
1250L-13

I1x2 

H1x2 

4x M10x25 

4x M10 

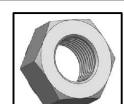


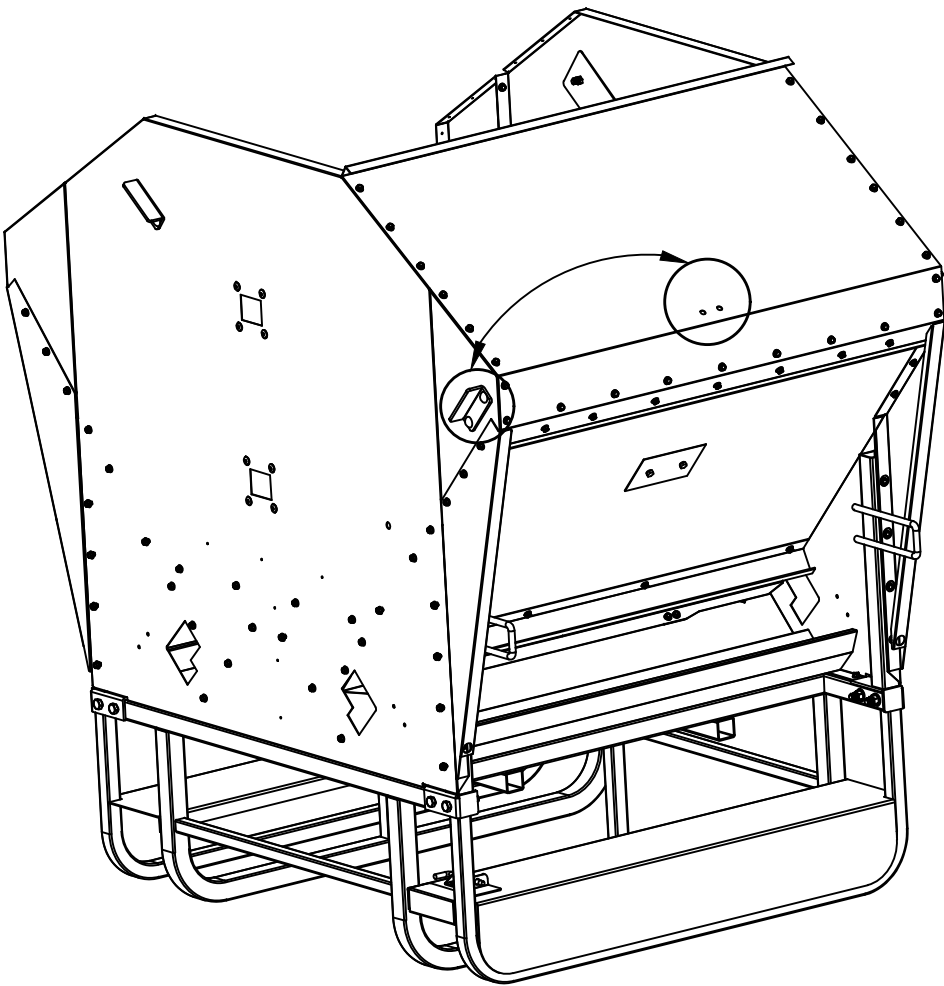
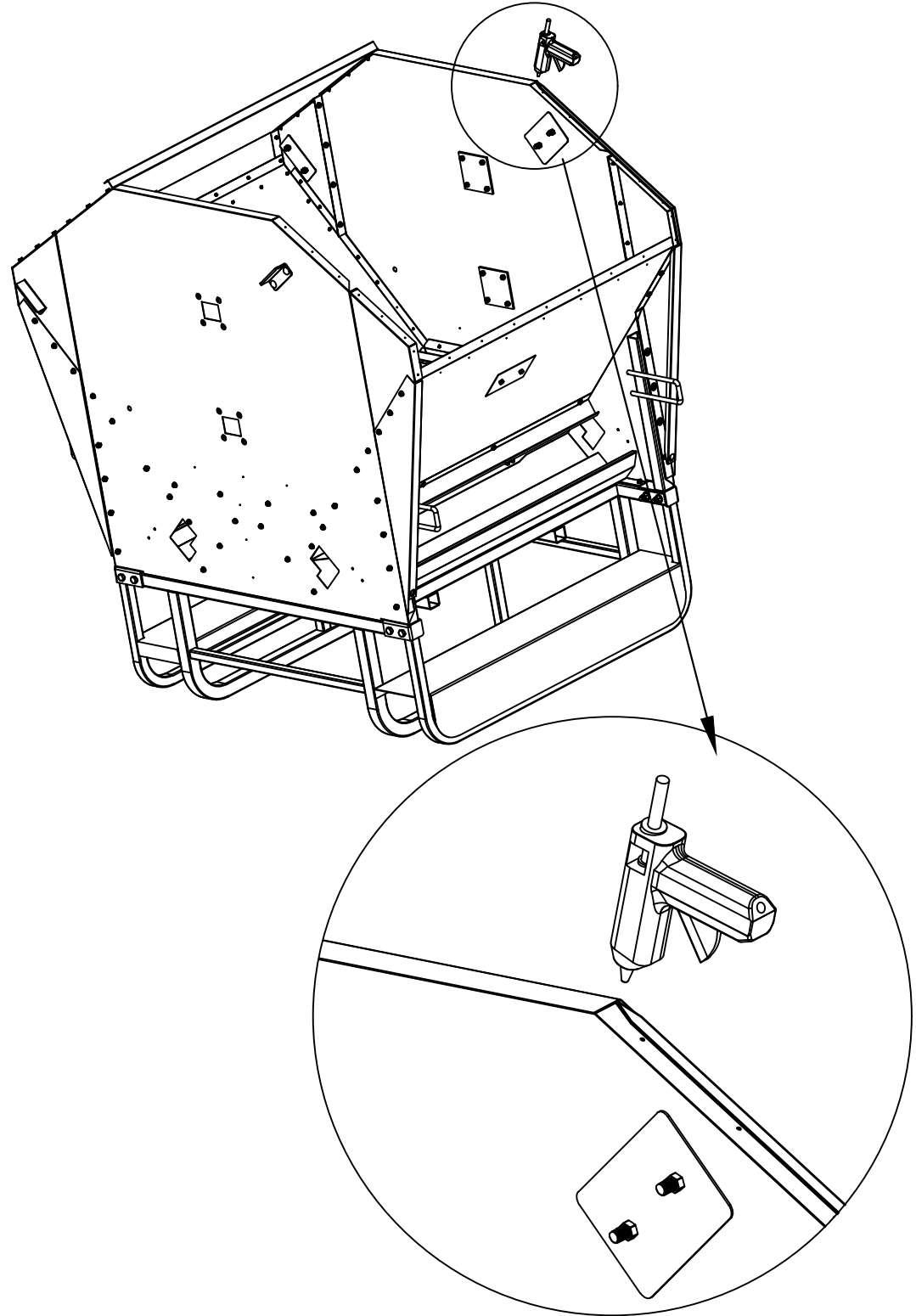
1250L-14

I1x2 

H2x2 

4x M10x25 

4x M10 

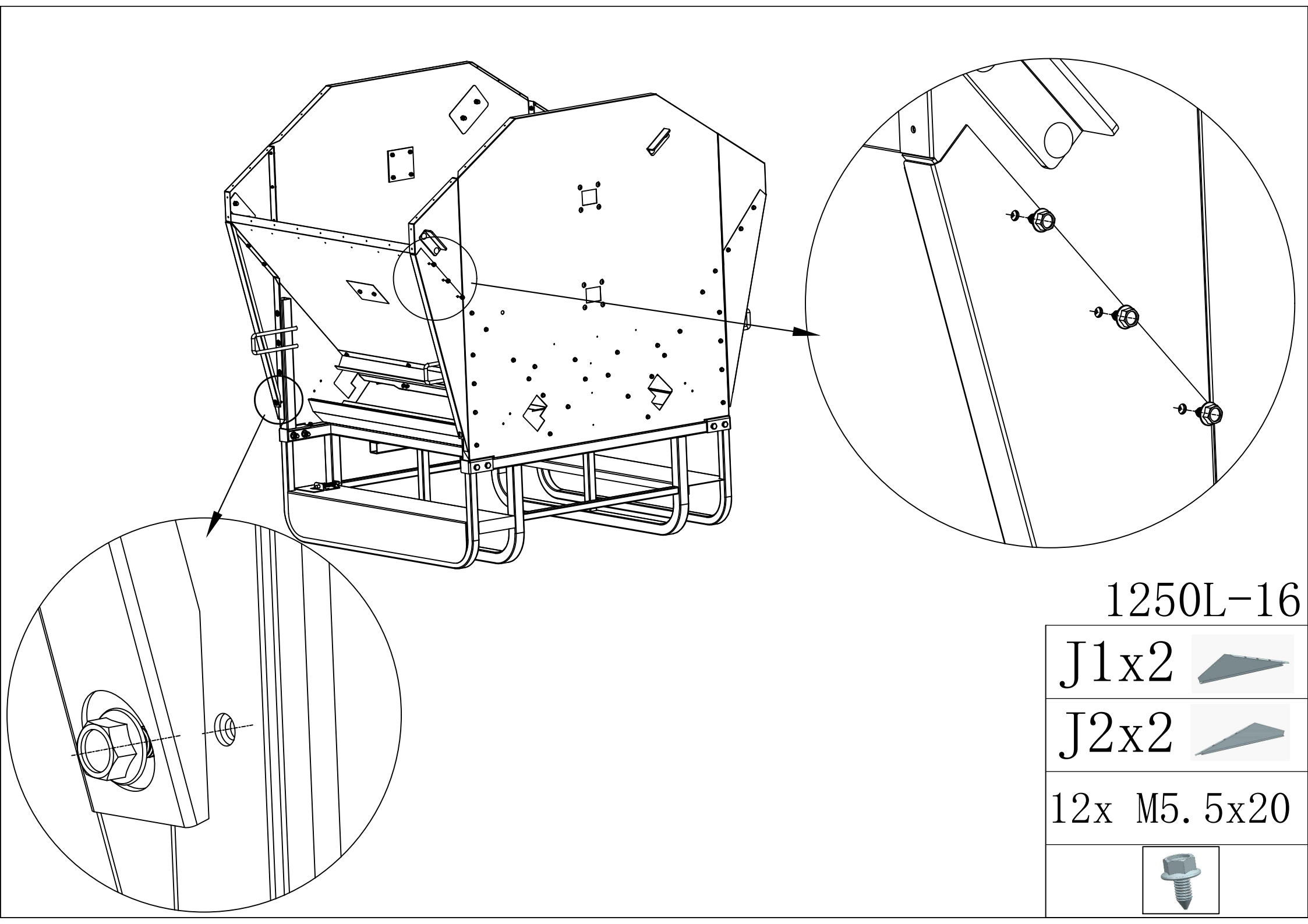


1250L-15

K1x1 

36x M5.5x20





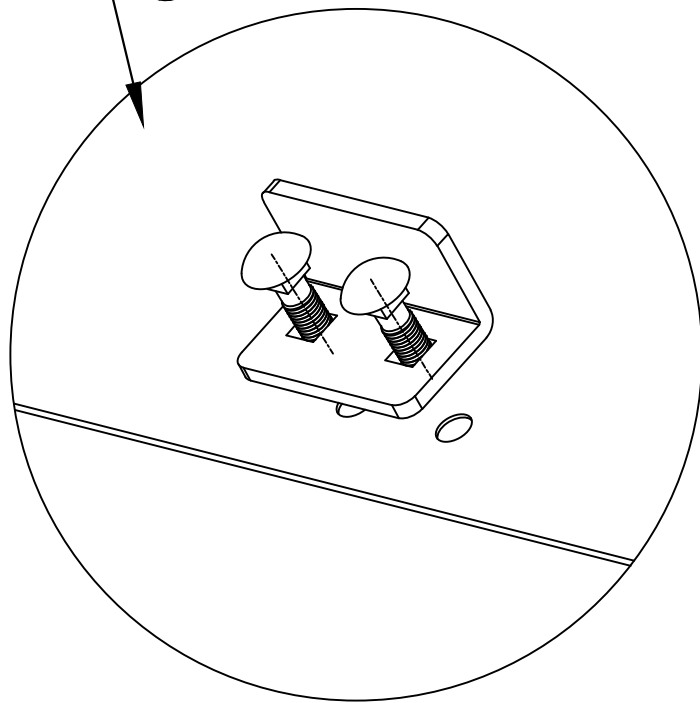
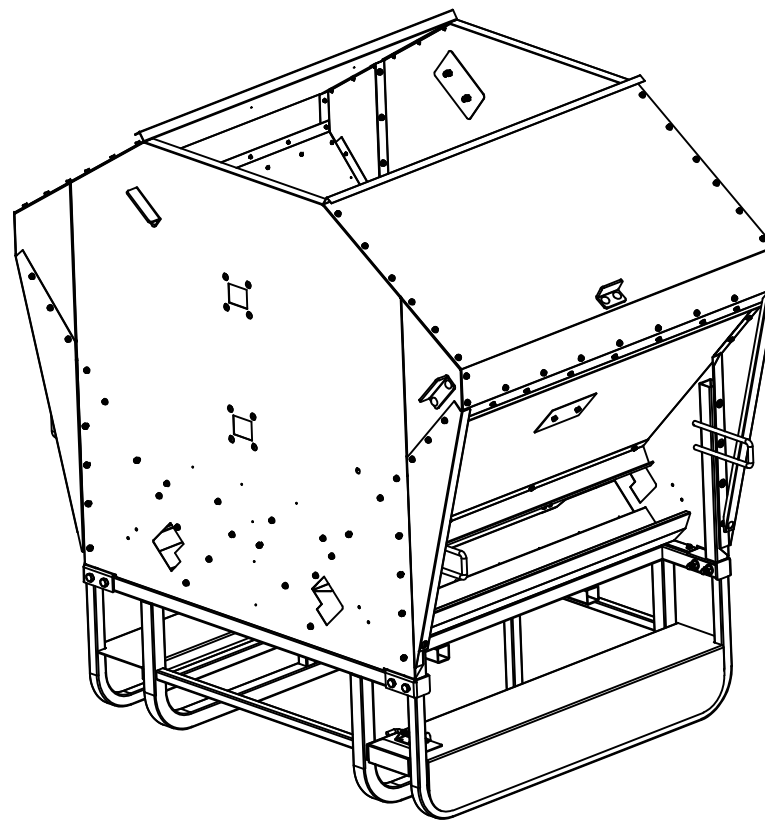
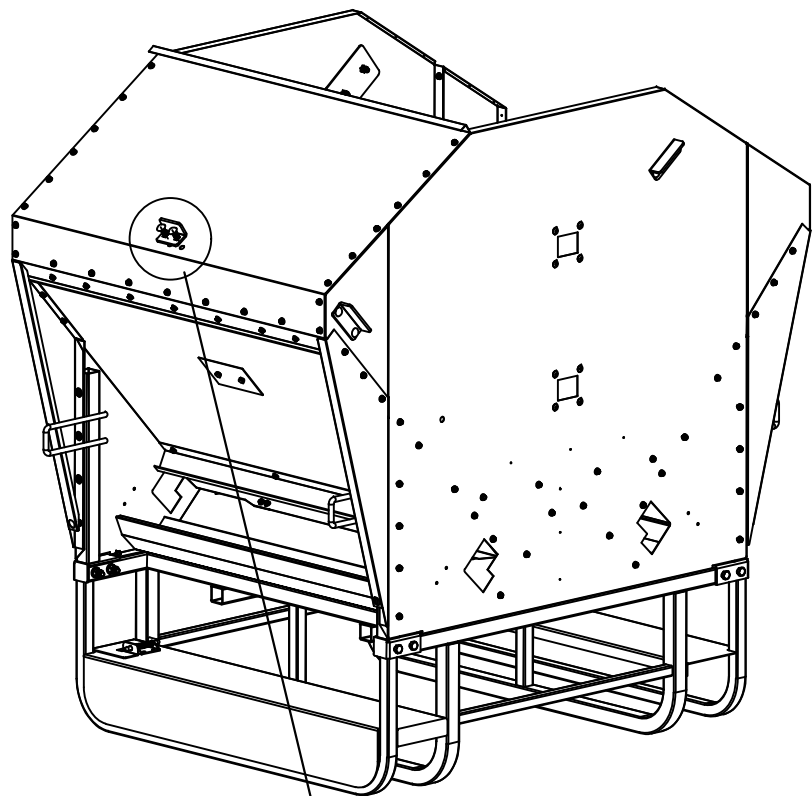
1250L-16

J1x2 

J2x2 

12x M5.5x20

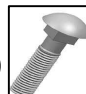




1250L-17

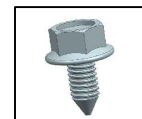
K2x1 

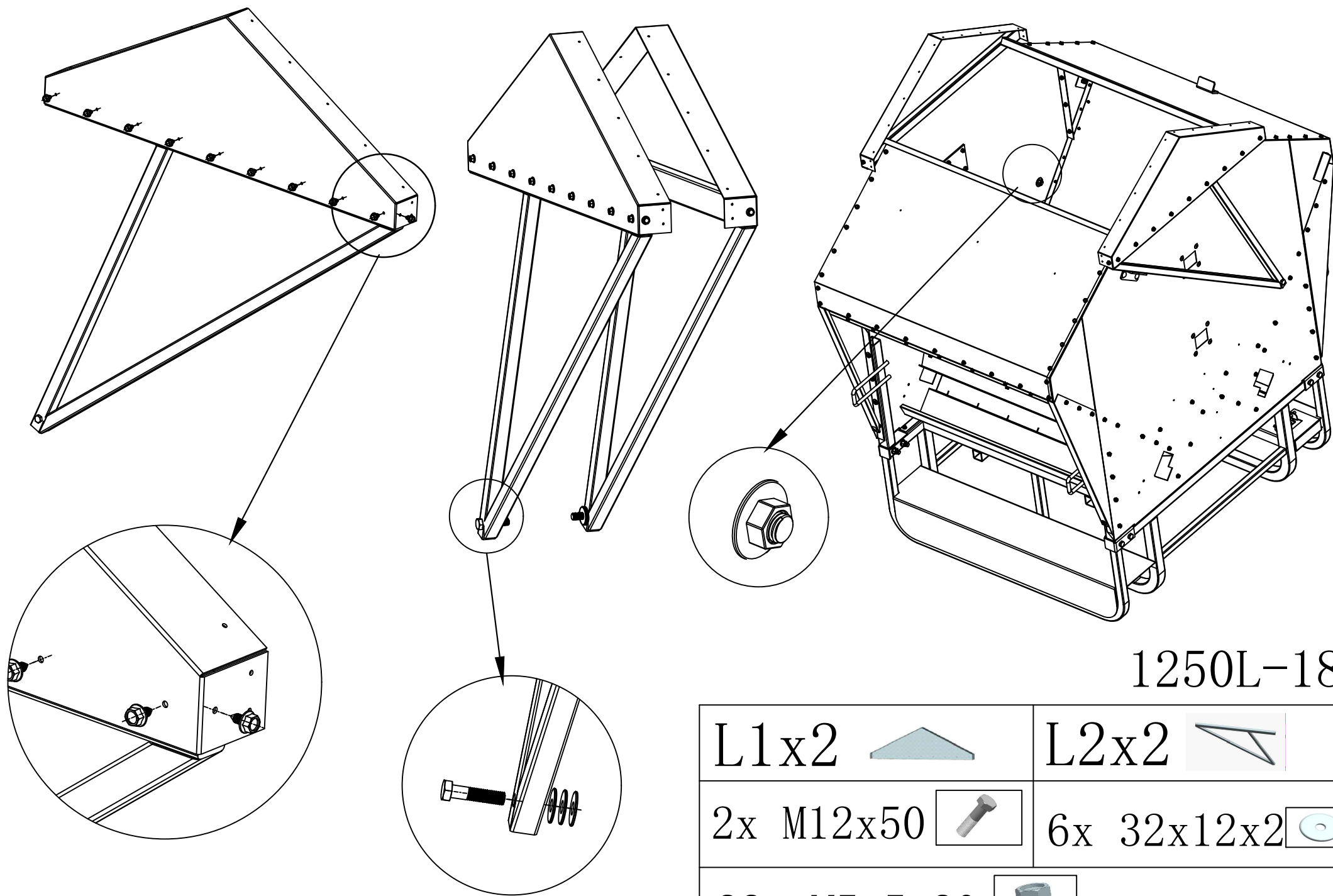
I2x1 

2x M10x25 






2x M10 

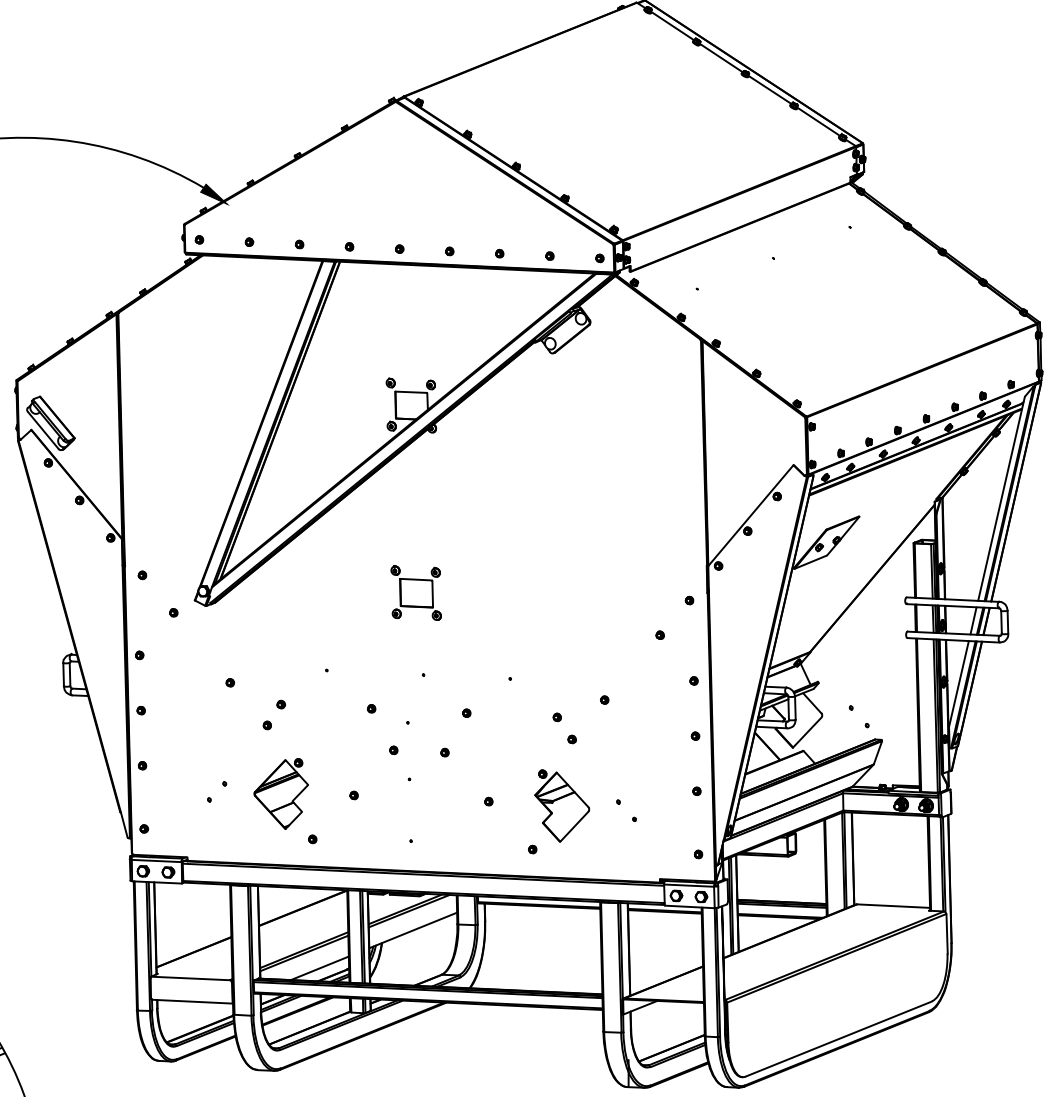
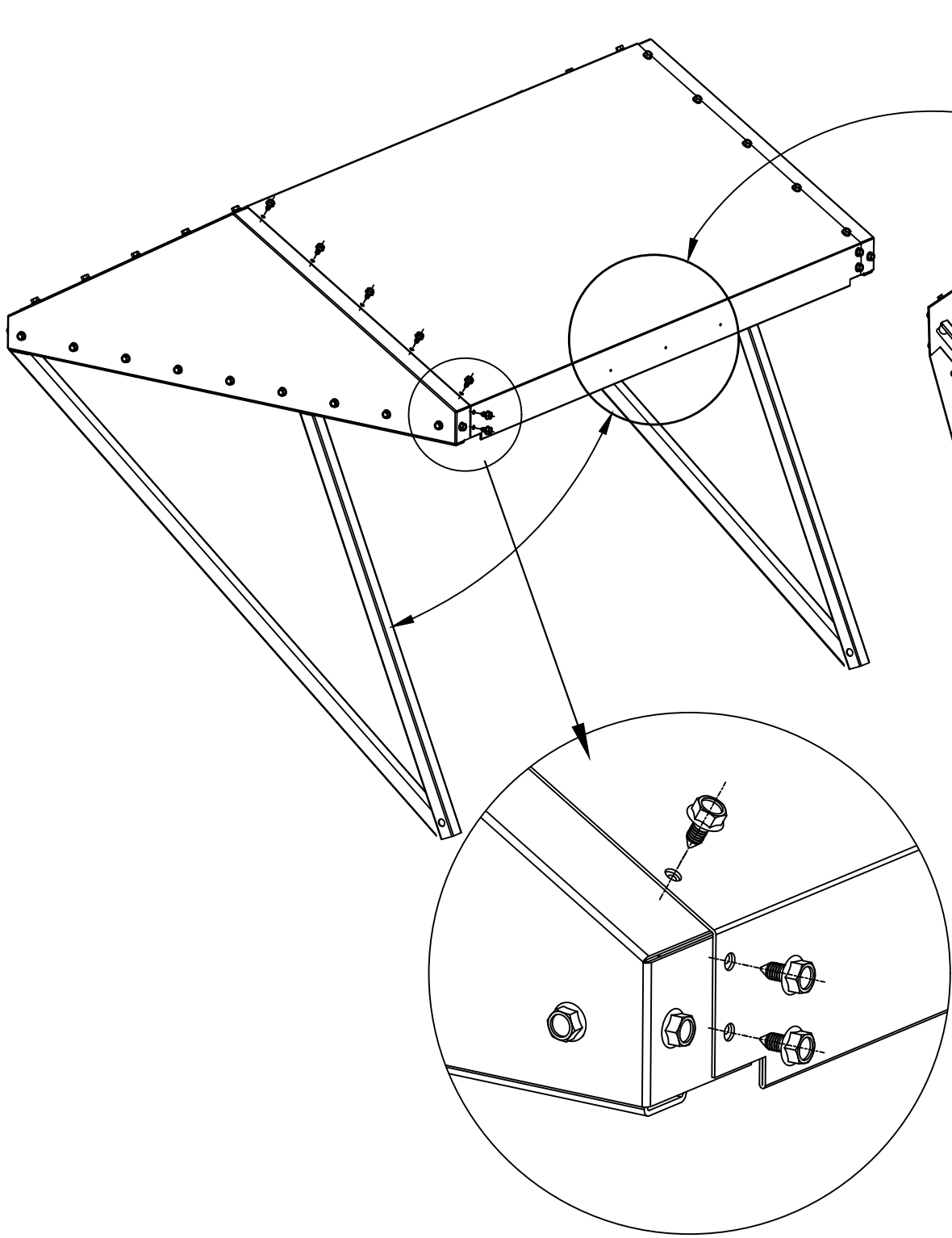
36x M5.5x20





1250L-18

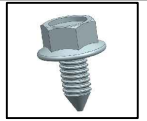
L1x2 	L2x2 
2x M12x50 	6x 32x12x2 
22x M5.5x20 	

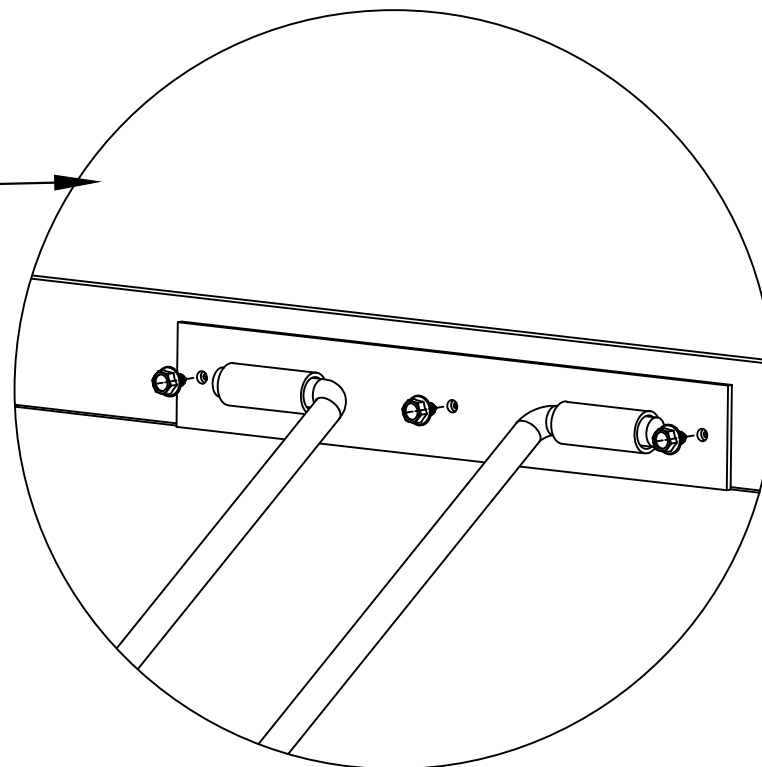
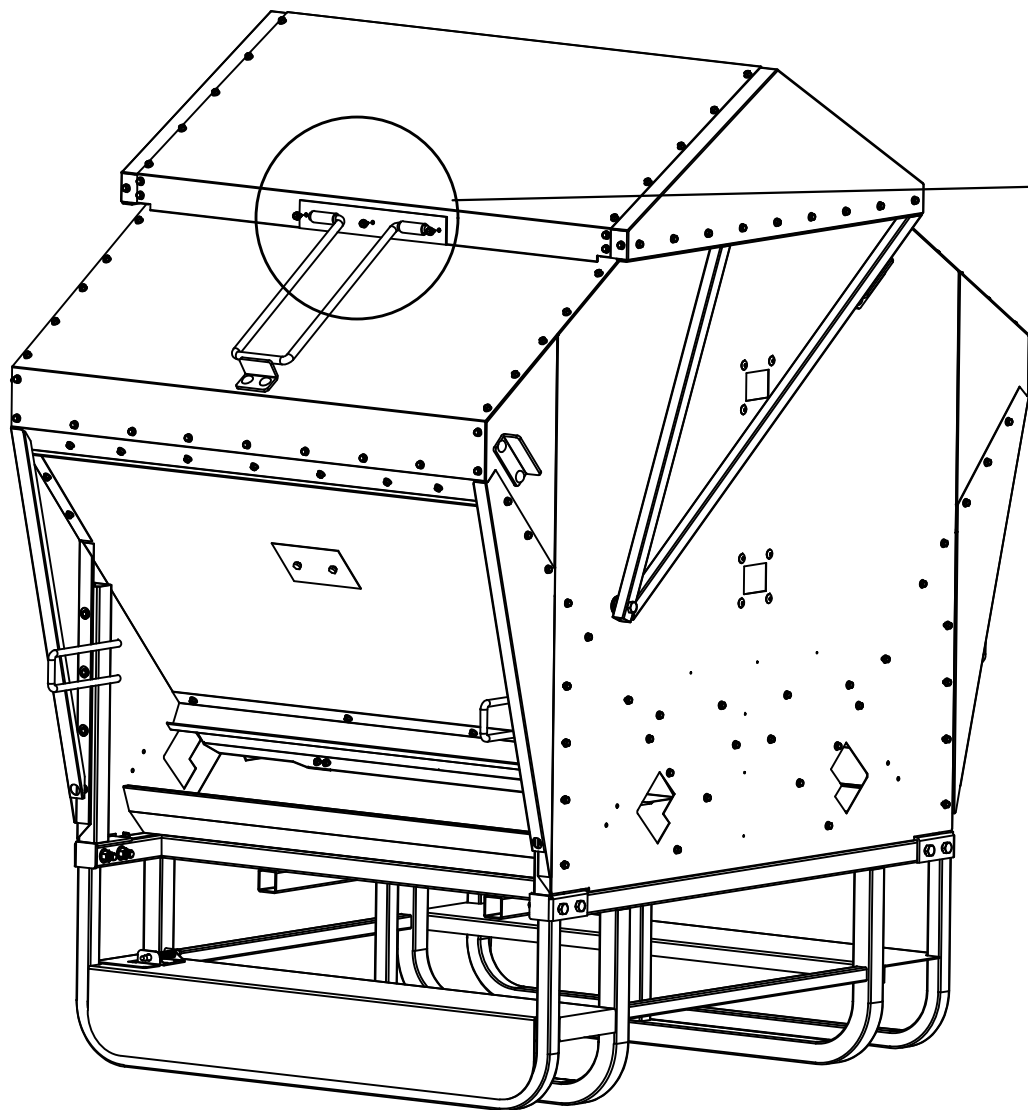


1250L-19

L3x1 

28x M5.5x20

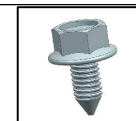


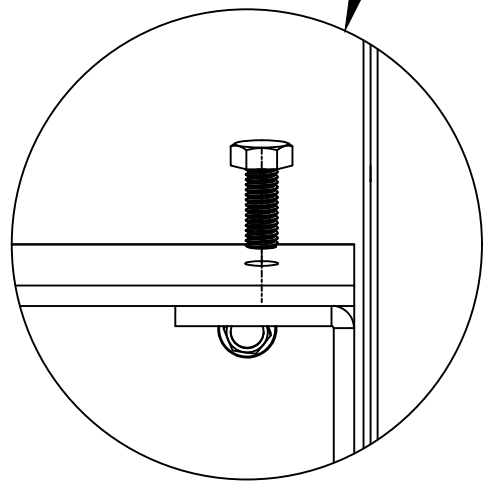
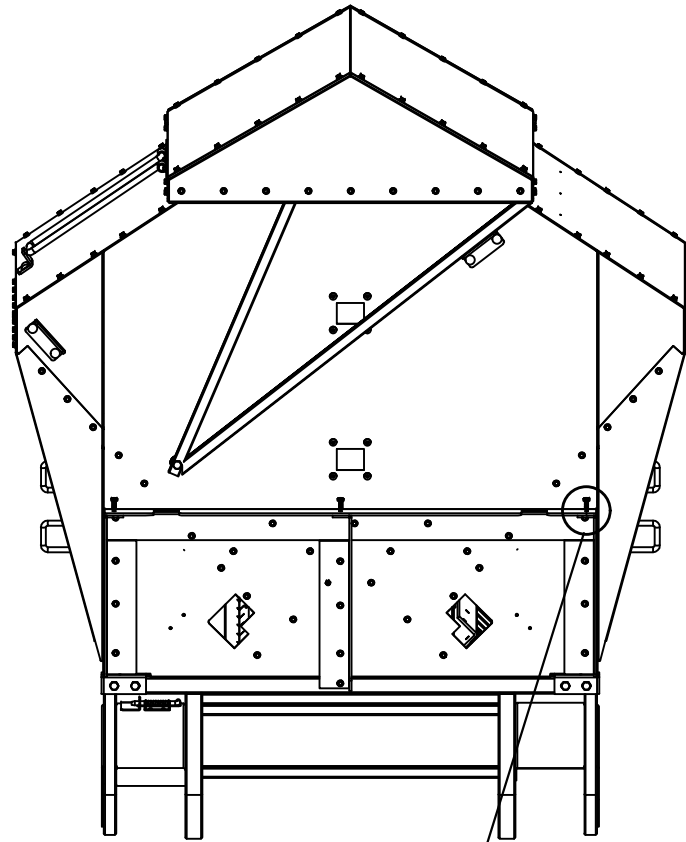
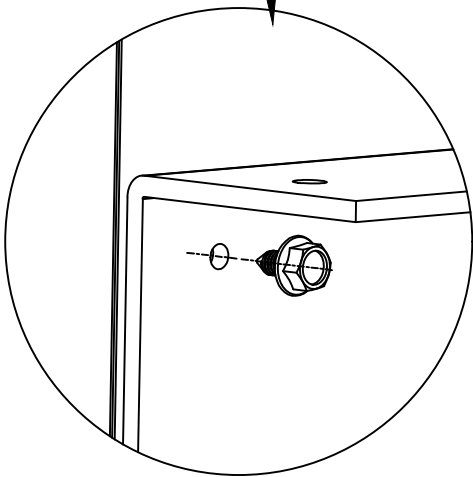
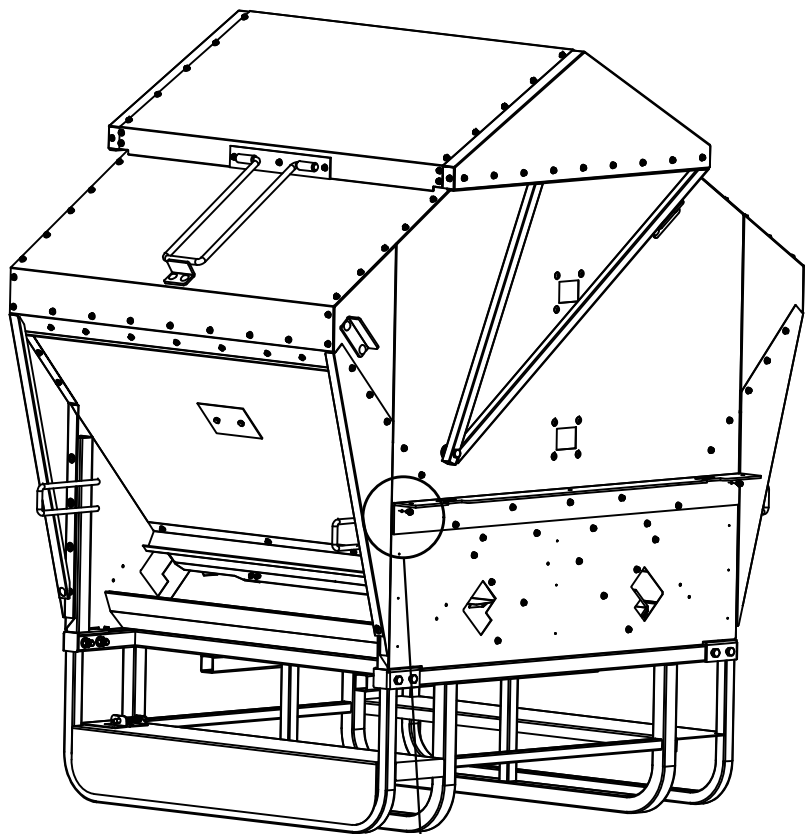


1250L-20

N1x1 

3x M5.5x20





1250L-21

01x1 

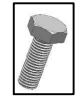
02x1 

03x1 

04x1 

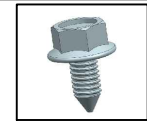
05x2 

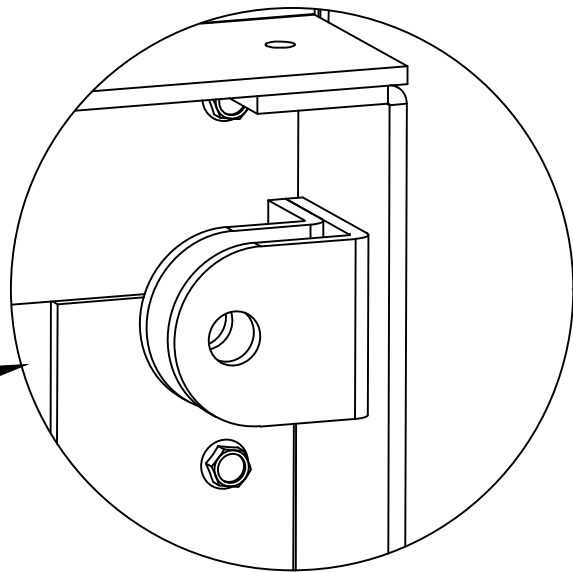
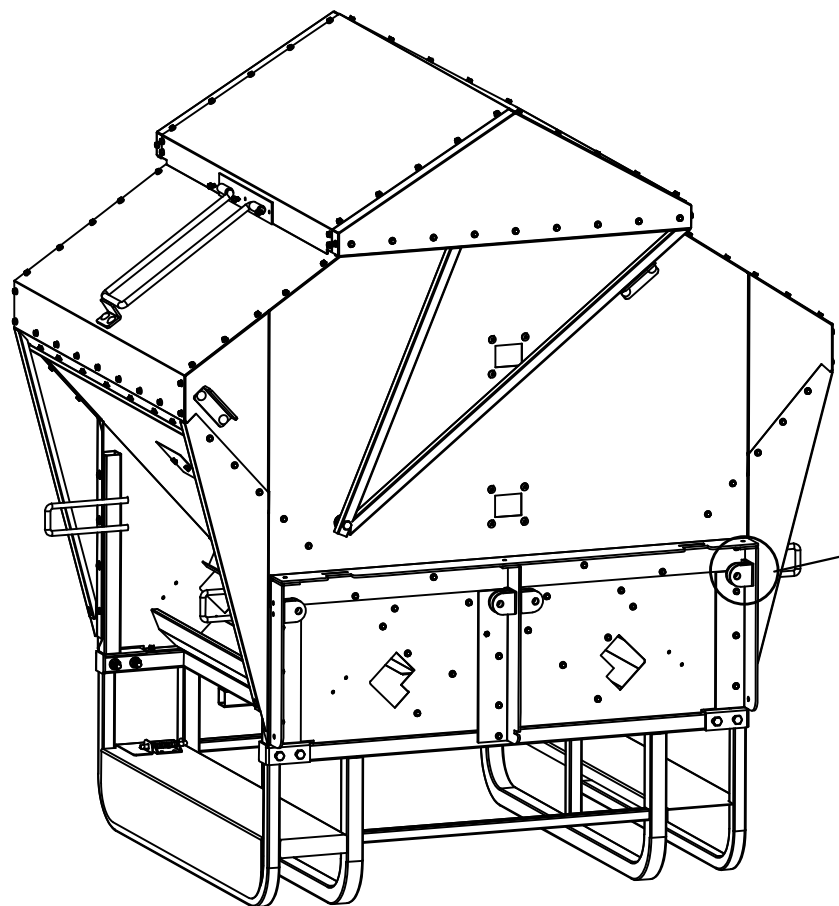
06x2 

6x M8x20 


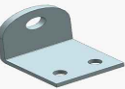

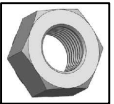
6x M8 

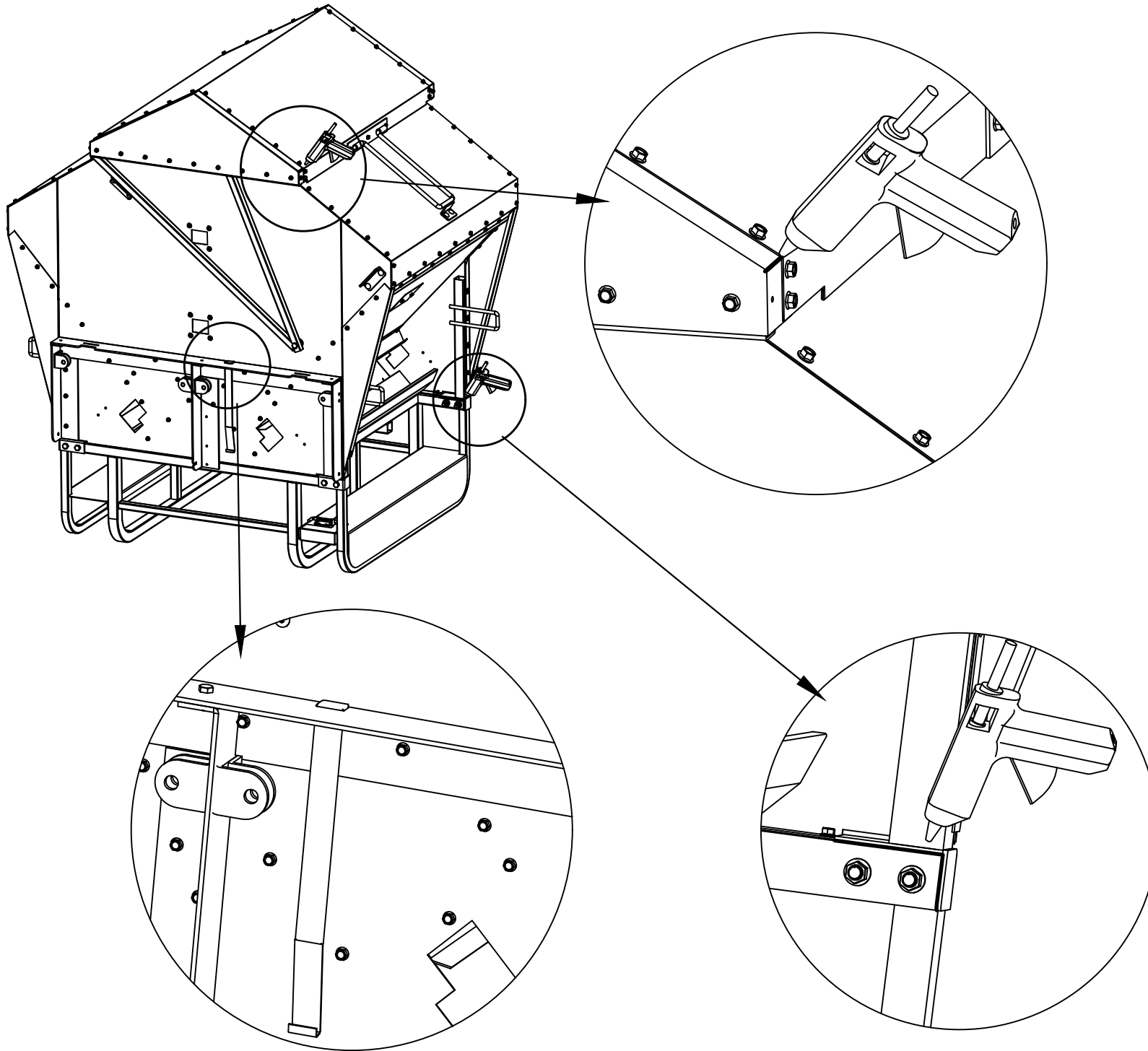
36x M5.5x20





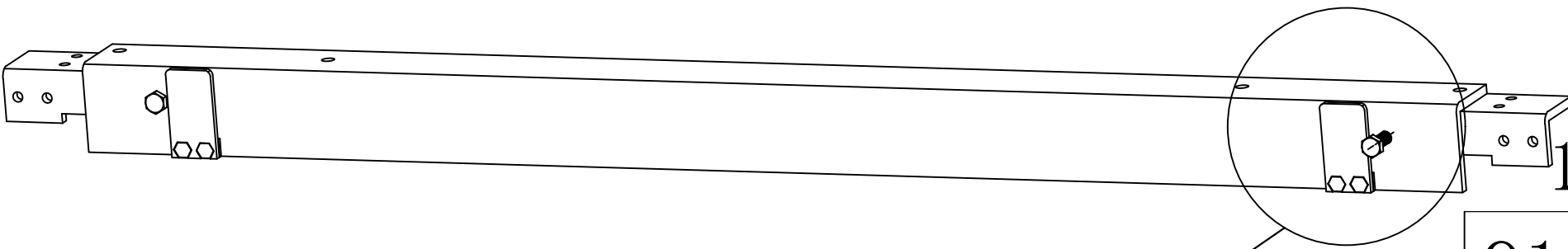
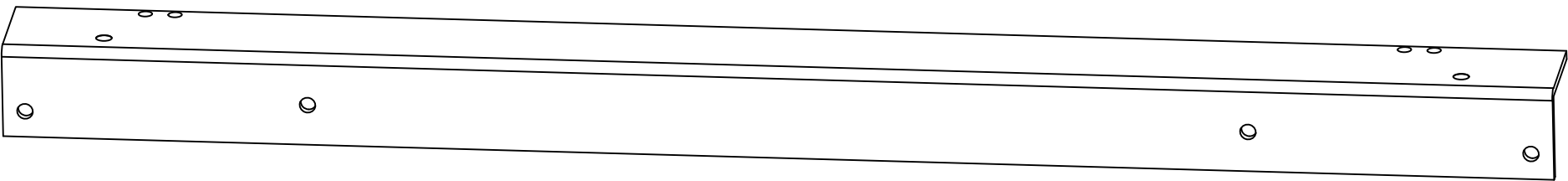
1250L-22

P1x8	
P2x8	
12x M8x35	
12x M8	

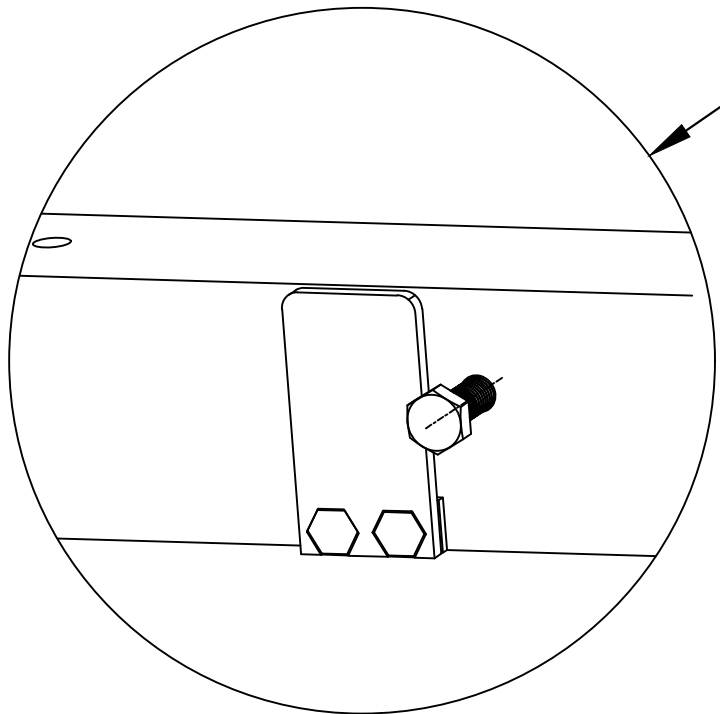


1250L-23

P3x1 



1250L-24




Q1x2 

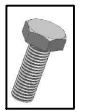
Q2x2 

Q3x2 

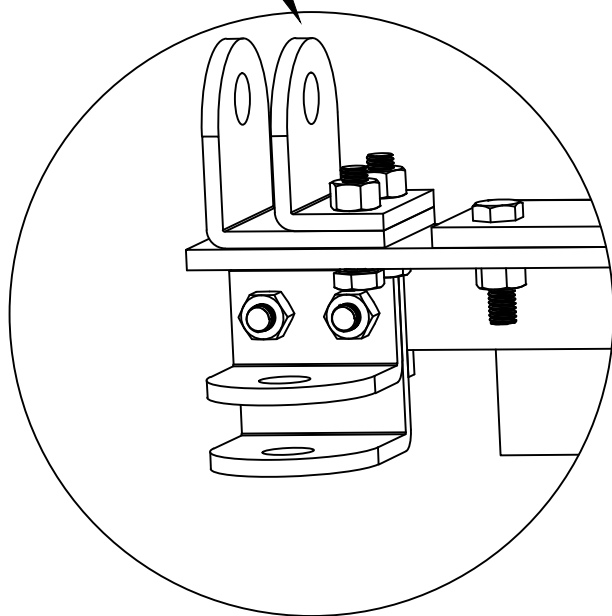
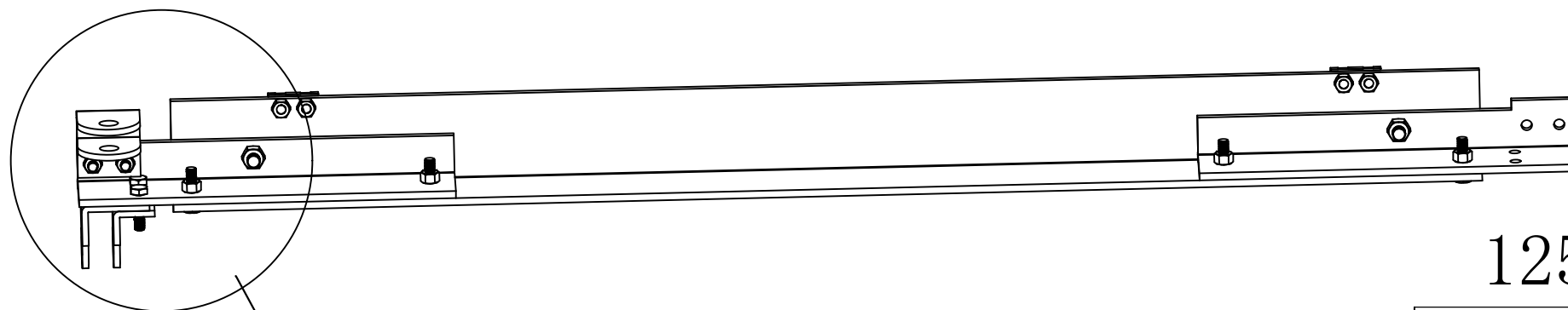
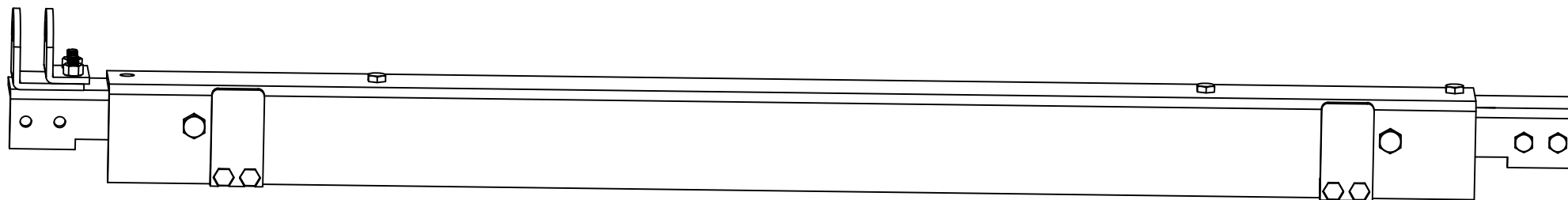
Q4x4 

4x M10x30 

4x M10 

8x M8x35 


8x M8 

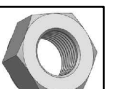


1250L-25

P1x4 

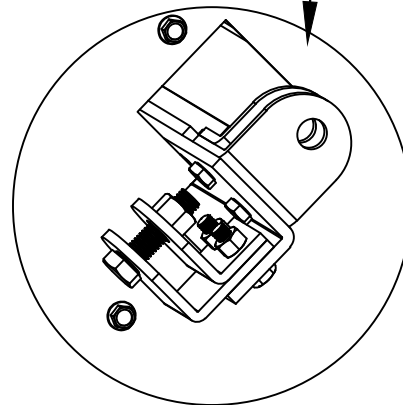
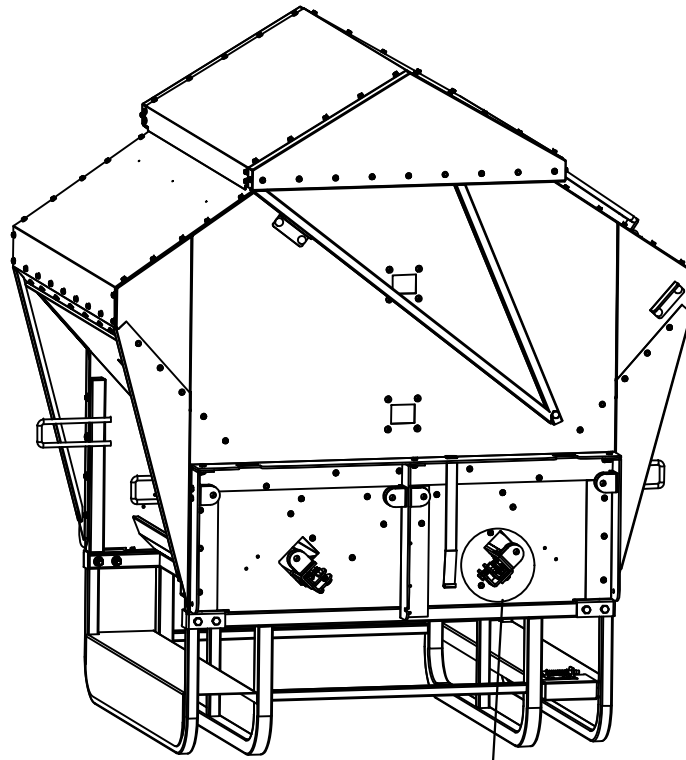
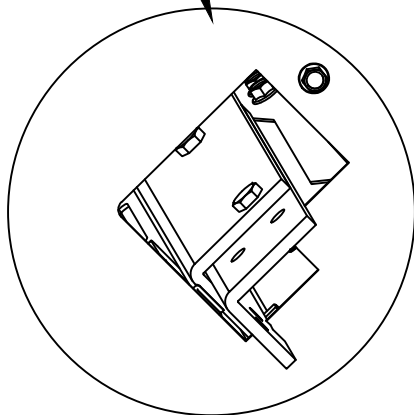
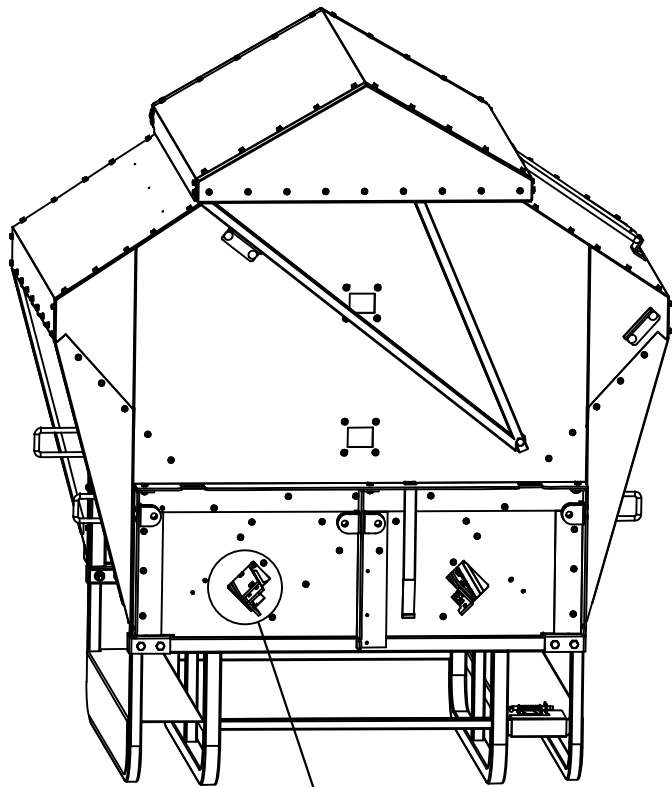
P2x4 

8x M10x30 

8x M10 

8x M8x35 

8x M8 



1250L-26

P1x4



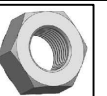
P2x4

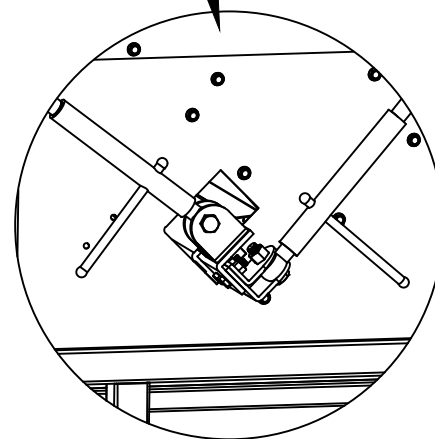
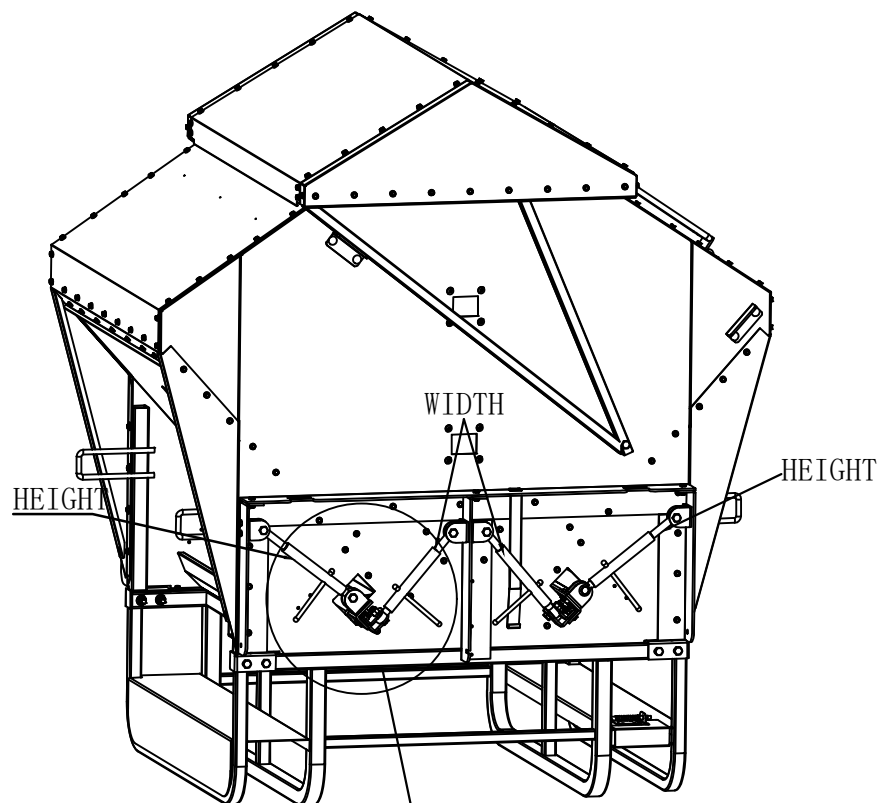
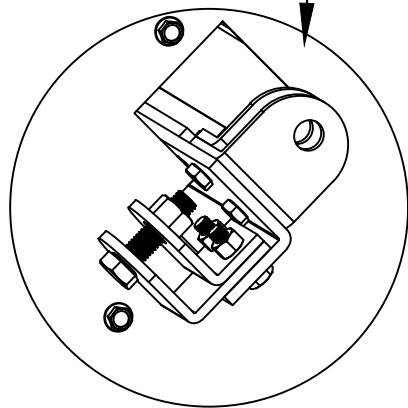
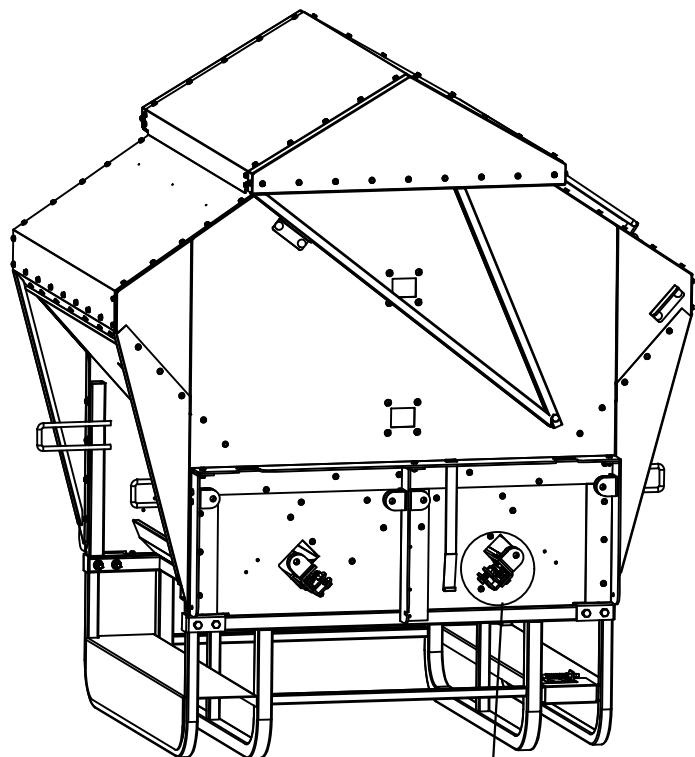


8x M8X35



8x M8

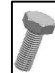




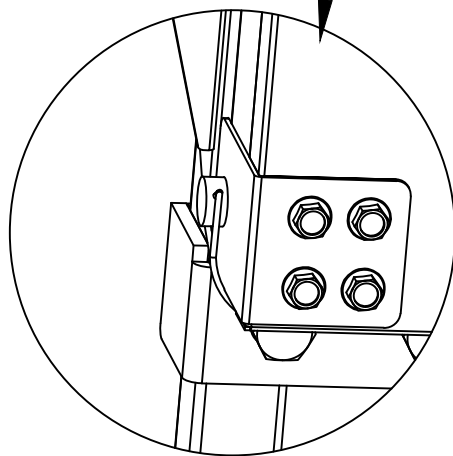
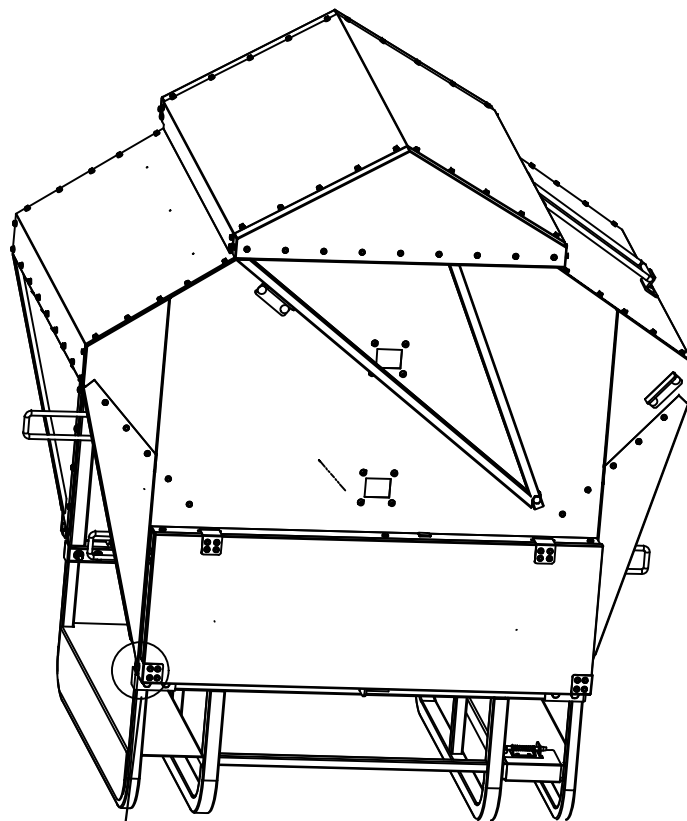
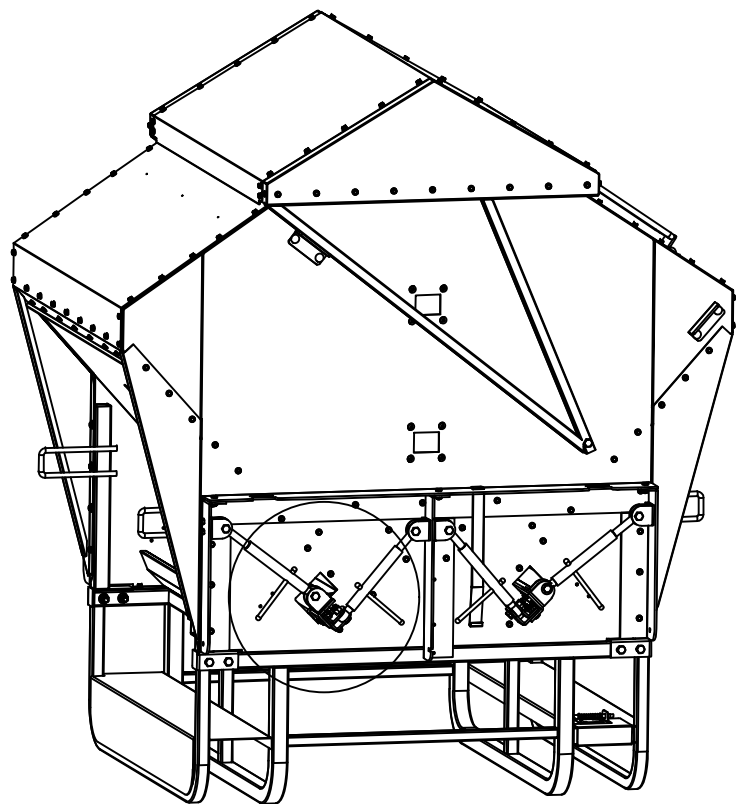
1250L-27

R1x4 

R2x4 

16x M14x45 

16x M14 



1250L-28

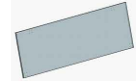
R3x4



R4x4



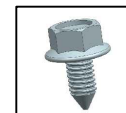
R5x2

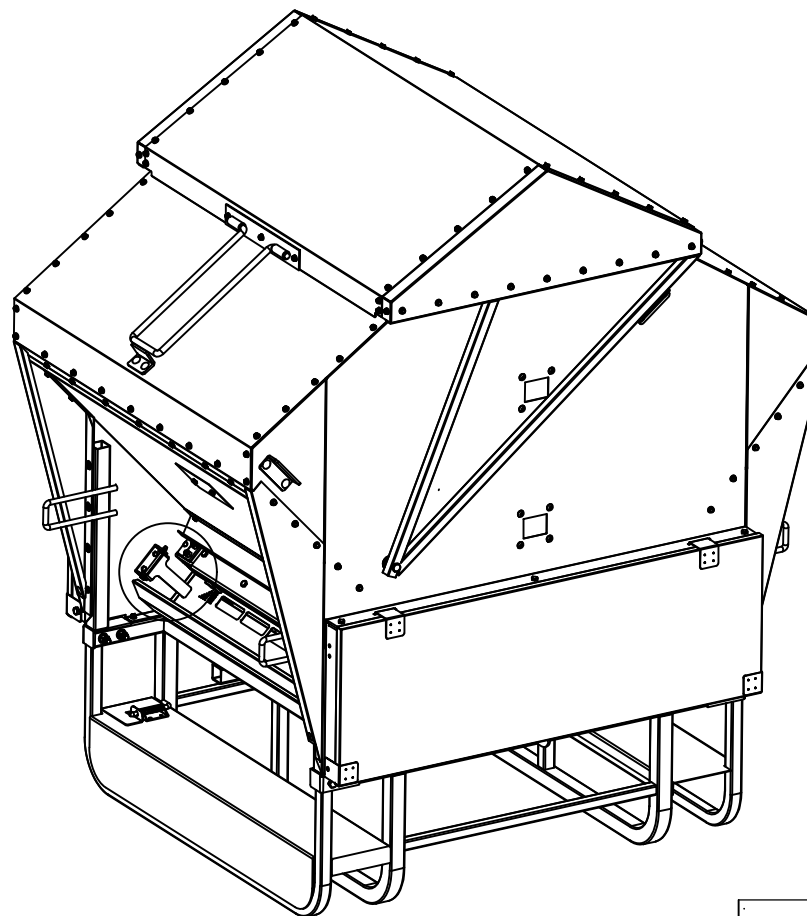
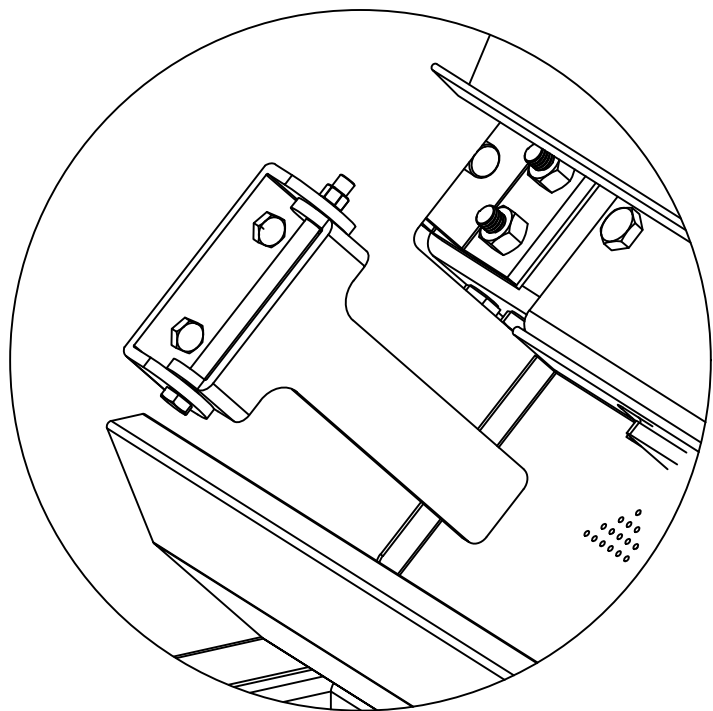


M10Dx4



32xM5.5x20






1250L-29

S1x2 

S2x4 

8x M6x16 

8x M16 